

# **PARTS CATALOG**

**iR2270/2870/3570/4570**

**Canon**

**Oct 26 2004**



## **PREFACE**

This Parts Catalog contains listings of parts used

Diagrams are provided with the listings to aid the service technician in identifying clearly, the item to be ordered.

Whenever ordering parts, consult this Parts Catalog for all of the information pertaining to each item. Be sure to include, in the Parts Request, the full item description, the item part number, and the quantity.

***COPYRIGHT (C) 1999 CANON INC.***

Use of this manual should be strictly supervised to avoid disclosure of confidential information.





# Contents

## Parts List Index

iR2270/2870/3570/4570 ..... 1-1

## iR2270/2870/3570/4570

|     |   |       |
|-----|---|-------|
| A   | ASSEMBLY LOCATION DIAGRAM .....         | 2-1   |
| 001 | ACCESSORIES .....                       | 2-7   |
| 100 | EXTERNAL COVERS, PANELS, ETC. ....      | 2-9   |
| 101 | MACHINE FRONT PLATE .....               | 2-13  |
| 102 | INTERNAL COMPONENTS 1 .....             | 2-15  |
| 103 | INTERNAL COMPONENTS 2 .....             | 2-19  |
| 104 | INTERNAL COMPONENTS 3 .....             | 2-21  |
| 105 | MACHINE REAR PLATE 1 .....              | 2-23  |
| 106 | MACHINE REAR PLATE 2 .....              | 2-25  |
| 107 | MACHINE REAR PLATE 3 .....              | 2-27  |
| 110 | POWER CORD TERMINAL ASSEMBLY .....      | 2-29  |
| 130 | CONTROL PANEL ASSEMBLY .....            | 2-31  |
| 140 | RIGHT DOOR ASSEMBLY .....               | 2-33  |
| 141 | PAPER FEEDER FRAME ASSEMBLY .....       | 2-38  |
| 145 | RIGHT LOWER DOOR ASSEMBLY .....         | 2-40  |
| 160 | DADF MOUNTING HARDWARE .....            | 2-42  |
| 161 | DADF ASSEMBLY .....                     | 2-44  |
| 162 | DOCUMENT TRAY ASSEMBLY .....            | 2-51  |
| 163 | OPEN/CLOSE PANEL ASSEMBLY .....         | 2-54  |
| 164 | PAPER FEEDER ASSEMBLY .....             | 2-58  |
| 210 | READER ASSEMBLY .....                   | 2-67  |
| 250 | MAIN DRIVE ASSEMBLY .....               | 2-72  |
| 251 | MAIN DRIVE ASSEMBLY .....               | 2-74  |
| 261 | FIXING PAPER DELIVERY DRIVE ASS'Y ..... | 2-76  |
| 281 | FIXING DELIVERY DRIVE ASSEMBLY .....    | 2-78  |
| 300 | CASSETTE (MIDDLE) .....                 | 2-80  |
| 301 | CASSETTE (LARGE) .....                  | 2-83  |
| 310 | PAPER PICK-UP ASSEMBLY (MIDDLE) .....   | 2-86  |
| 311 | PAPER PICK-UP ASSEMBLY (LARGE) .....    | 2-90  |
| 315 | MULTI FEED TRAY ASSEMBLY .....          | 2-94  |
| 350 | PAPER DELIVERY ASSEMBLY .....           | 2-96  |
| 351 | 2ND 3RD DELIVERY ASSEMBLY .....         | 2-98  |
| 352 | 2ND UPPER DELIVERY ASSEMBLY .....       | 2-100 |
| 353 | 2ND DELIVERY FRAME ASSEMBLY .....       | 2-103 |
| 354 | 3RD DELIVERY FRAME ASSEMBLY .....       | 2-107 |
| 460 | LASER SCANNER ASSEMBLY .....            | 2-112 |
| 500 | DRUM CARTRIDGE ASSEMBLY .....           | 2-113 |

## Contents

|     |                                      |       |
|-----|--------------------------------------|-------|
| 621 | HOPPER ASSEMBLY .....                | 2-114 |
| 640 | DEVELOPING ASSEMBLY .....            | 2-117 |
| 810 | FIXING ASSEMBLY .....                | 2-119 |
| 900 | CONTROLLER BOX ASSEMBLY .....        | 2-123 |
| 910 | MAIN POWER SUPPLY PCB ASSEMBLY ..... | 2-125 |
| 930 | DC CONTROLLER PCB ASSEMBLY .....     | 2-126 |
| 931 | READER CONTROLLER PCB ASSEMBLY ..... | 2-127 |
| 990 | FAX ASSEMBLY .....                   | 2-128 |
| 991 | SPEAKER ASSEMBLY .....               | 2-130 |
| 992 | FAX BOARD PCB ASSEMBLY .....         | 2-132 |
| 994 | DELIVERY CONTROLLER PCB ASS'Y .....  | 2-134 |

# NUMERICAL INDEX

iR2270/2870/3570/4570

| PARTS NUMBER | FIGURE & KEY NO. | PARTS NUMBER | FIGURE & KEY NO. | PARTS NUMBER | FIGURE & KEY NO. |
|--------------|------------------|--------------|------------------|--------------|------------------|
| FA3-8727-000 | 621 - 8          | FB5-9803-000 | 353 - 3          | FB6-3410-000 | 310 - 21         |
| FA4-1159-000 | 140 - 22         | FB5-9803-000 | 354 - 28         | FB6-3410-000 | 311 - 21         |
| FA9-2112-000 | 250 - 6          | FB6-1321-000 | 210 - 1          | FB6-3411-000 | 310 - 22         |
| FA9-2112-000 | 251 - 6          | FB6-1339-000 | 210 - 47         | FB6-3411-000 | 311 - 22         |
| FA9-2112-000 | 261 - 1          | FB6-2703-040 | 161 - 38         | FB6-3413-000 | 310 - 23         |
| FA9-2112-000 | 621 - 28         | FB6-2705-000 | 164 - 22         | FB6-3413-000 | 311 - 23         |
| FA9-3988-000 | 100 - 1          | FB6-3313-000 | 104 - 2          | FB6-3478-000 | 300 - 1          |
| FBI-6715-000 | 640 - 1          | FB6-3313-000 | 145 - 1          | FB6-3478-000 | 301 - 1          |
| FBI-8581-000 | 140 - 23         | FB6-3380-000 | 310 - 1          | FB6-3479-000 | 300 - 2          |
| FB3-2224-000 | 100 - 23         | FB6-3380-000 | 311 - 1          | FB6-3479-000 | 301 - 2          |
| FB3-2411-000 | 210 - 37         | FB6-3386-000 | 310 - 2          | FB6-3480-000 | 300 - 3          |
| FB3-3192-020 | 102 - 1          | FB6-3386-000 | 311 - 2          | FB6-3480-000 | 301 - 3          |
| FB4-2930-000 | 140 - 40         | FB6-3388-000 | 310 - 3          | FB6-3481-000 | 300 - 4          |
| FB4-2930-000 | 810 - 29         | FB6-3388-000 | 311 - 3          | FB6-3481-000 | 301 - 4          |
| FB5-4754-000 | 352 - 7          | FB6-3389-000 | 310 - 4          | FB6-3482-000 | 300 - 5          |
| FB5-4754-000 | 353 - 1          | FB6-3389-000 | 311 - 4          | FB6-3482-000 | 301 - 5          |
| FB5-4773-000 | 140 - 41         | FB6-3390-000 | 310 - 5          | FB6-3483-000 | 300 - 6          |
| FB5-4773-000 | 810 - 30         | FB6-3390-000 | 311 - 5          | FB6-3483-000 | 301 - 6          |
| FB5-4858-000 | 350 - 7          | FB6-3391-000 | 310 - 6          | FB6-3484-000 | 300 - 7          |
| FB5-4930-000 | 810 - 39         | FB6-3391-000 | 311 - 6          | FB6-3484-000 | 301 - 7          |
| FB5-4931-000 | 810 - 1          | FB6-3392-000 | 310 - 7          | FB6-3486-000 | 300 - 8          |
| FB5-5039-000 | 250 - 12         | FB6-3392-000 | 311 - 7          | FB6-3486-000 | 301 - 8          |
| FB5-5039-000 | 251 - 11         | FB6-3393-000 | 310 - 8          | FB6-3490-000 | 300 - 9          |
| FB5-5130-000 | 991 - 4          | FB6-3393-000 | 311 - 8          | FB6-3490-000 | 301 - 9          |
| FB5-5150-000 | 350 - 15         | FB6-3394-000 | 310 - 9          | FB6-3499-000 | 300 - 30         |
| FB5-5279-000 | 500 - 2          | FB6-3394-000 | 311 - 9          | FB6-3499-000 | 301 - 12         |
| FB5-9325-000 | 354 - 1          | FB6-3395-000 | 310 - 10         | FB6-3506-000 | 300 - 10         |
| FB5-9401-000 | 161 - 23         | FB6-3395-000 | 311 - 10         | FB6-3506-000 | 301 - 10         |
| FB5-9410-000 | 161 - 1          | FB6-3396-010 | 310 - 11         | FB6-3507-000 | 102 - 2          |
| FB5-9414-000 | 162 - 14         | FB6-3396-010 | 311 - 11         | FB6-3524-000 | 301 - 30         |
| FB5-9417-000 | 162 - 16         | FB6-3397-000 | 310 - 12         | FB6-4852-000 | 310 - 24         |
| FB5-9427-000 | 162 - 21         | FB6-3397-000 | 311 - 12         | FB6-4852-000 | 311 - 24         |
| FB5-9434-000 | 163 - 1          | FB6-3399-000 | 310 - 14         | FB6-5796-000 | 353 - 4          |
| FB5-9438-000 | 163 - 4          | FB6-3399-000 | 311 - 14         | FB6-5796-000 | 354 - 29         |
| FB5-9440-000 | 163 - 6          | FB6-3402-000 | 310 - 15         | FC5-0166-000 | 100 - 32         |
| FB5-9460-009 | 164 - 28         | FB6-3402-000 | 311 - 15         | FC5-0166-000 | 210 - 7          |
| FB5-9466-000 | 164 - 10         | FB6-3403-000 | 310 - 16         | FC5-0191-000 | 104 - 6          |
| FB5-9467-020 | 164 - 11         | FB6-3403-000 | 311 - 16         | FC5-0195-000 | 104 - 7          |
| FB5-9468-020 | 164 - 12         | FB6-3404-000 | 310 - 17         | FC5-0477-000 | 315 - 3          |
| FB5-9469-020 | 164 - 13         | FB6-3404-000 | 311 - 17         | FC5-0478-000 | 315 - 4          |
| FB5-9471-009 | 164 - 15         | FB6-3405-000 | 310 - 18         | FC5-0479-000 | 315 - 5          |
| FB5-9477-000 | 164 - 20         | FB6-3405-000 | 311 - 18         | FC5-0480-000 | 315 - 6          |
| FB5-9504-000 | 160 - 5          | FB6-3408-000 | 310 - 20         | FC5-0481-000 | 315 - 7          |
| FB5-9505-000 | 160 - 6          | FB6-3408-000 | 311 - 20         | FC5-0484-000 | 102 - 37         |

# NUMERICAL INDEX

## iR2270/2870/3570/4570

| PARTS NUMBER | FIGURE & KEY NO. | PARTS NUMBER | FIGURE & KEY NO. | PARTS NUMBER | FIGURE & KEY NO. |
|--------------|------------------|--------------|------------------|--------------|------------------|
| FC5-0488-000 | 140 - 24         | FC5-0624-000 | 301 - 15         | FC5-0953-000 | 100 - 3          |
| FC5-0489-000 | 140 - 25         | FC5-0635-000 | 300 - 16         | FC5-0954-000 | 100 - 37         |
| FC5-0490-000 | 140 - 26         | FC5-0636-000 | 300 - 17         | FC5-0956-000 | 100 - 4          |
| FC5-0496-000 | 140 - 38         | FC5-0637-000 | 301 - 17         | FC5-0957-000 | 100 - 18         |
| FC5-0497-000 | 315 - 8          | FC5-0641-000 | 102 - 3          | FC5-0958-000 | 102 - 49         |
| FC5-0520-000 | 315 - 2          | FC5-0652-000 | 140 - 6          | FC5-0959-000 | 103 - 1          |
| FC5-0521-000 | 140 - 2          | FC5-0653-020 | 140 - 7          | FC5-0972-000 | 140 - 16         |
| FC5-0522-000 | 140 - 3          | FC5-0655-000 | 810 - 26         | FC5-0974-000 | 353 - 5          |
| FC5-0524-000 | 140 - 4          | FC5-0657-000 | 140 - 42         | FC5-0976-000 | 354 - 14         |
| FC5-0525-000 | 140 - 5          | FC5-0658-000 | 140 - 43         | FC5-0977-000 | 354 - 10         |
| FC5-0526-000 | 315 - 9          | FC5-0659-000 | 140 - 8          | FC5-0978-020 | 351 - 3          |
| FC5-0527-000 | 315 - 10         | FC5-0673-000 | 101 - 7          | FC5-0985-000 | 352 - 20         |
| FC5-0529-000 | 140 - 30         | FC5-0674-000 | 140 - 10         | FC5-0987-000 | 352 - 1          |
| FC5-0530-000 | 315 - 17         | FC5-0676-000 | 140 - 11         | FC5-0988-000 | 352 - 2          |
| FC5-0539-000 | 102 - 38         | FC5-0677-000 | 140 - 12         | FC5-0989-020 | 352 - 3          |
| FC5-0540-000 | 102 - 39         | FC5-0682-000 | 140 - 13         | FC5-0991-000 | 352 - 21         |
| FC5-0541-000 | 315 - 11         | FC5-0685-000 | 140 - 14         | FC5-0992-000 | 351 - 4          |
| FC5-0542-000 | 140 - 32         | FC5-0686-000 | 101 - 8          | FC5-0996-000 | 353 - 6          |
| FC5-0543-000 | 140 - 31         | FC5-0687-000 | 101 - 9          | FC5-0997-000 | 353 - 7          |
| FC5-0544-000 | 315 - 18         | FC5-0688-000 | 101 - 10         | FC5-0998-000 | 353 - 18         |
| FC5-0546-000 | 315 - 15         | FC5-0689-000 | 101 - 11         | FC5-1003-000 | 354 - 15         |
| FC5-0547-000 | 102 - 40         | FC5-0690-000 | 140 - 15         | FC5-1005-000 | 354 - 16         |
| FC5-0548-000 | 141 - 1          | FC5-0691-000 | 140 - 44         | FC5-1006-000 | 354 - 17         |
| FC5-0549-000 | 141 - 13         | FC5-0697-000 | 810 - 32         | FC5-1009-000 | 354 - 11         |
| FC5-0567-000 | 102 - 17         | FC5-0703-000 | 140 - 46         | FC5-1010-000 | 354 - 30         |
| FC5-0568-000 | 102 - 18         | FC5-0792-000 | 210 - 5          | FC5-1011-000 | 354 - 31         |
| FC5-0576-000 | 100 - 2          | FC5-0798-000 | 350 - 2          | FC5-1012-000 | 354 - 3          |
| FC5-0583-000 | 300 - 11         | FC5-0799-000 | 350 - 3          | FC5-1013-000 | 352 - 22         |
| FC5-0583-000 | 301 - 11         | FC5-0800-000 | 350 - 4          | FC5-1013-000 | 354 - 18         |
| FC5-0584-000 | 301 - 13         | FC5-0803-000 | 100 - 35         | FC5-1014-000 | 354 - 19         |
| FC5-0585-000 | 300 - 12         | FC5-0805-000 | 353 - 17         | FC5-1017-000 | 353 - 8          |
| FC5-0588-000 | 145 - 2          | FC5-0806-000 | 350 - 6          | FC5-1019-020 | 351 - 5          |
| FC5-0590-000 | 145 - 4          | FC5-0807-000 | 100 - 36         | FC5-1020-020 | 354 - 4          |
| FC5-0591-000 | 300 - 13         | FC5-0812-000 | 100 - 17         | FC5-1023-000 | 354 - 5          |
| FC5-0592-000 | 145 - 5          | FC5-0859-000 | 351 - 1          | FC5-1024-000 | 354 - 35         |
| FC5-0593-000 | 145 - 6          | FC5-0860-000 | 100 - 43         | FC5-1025-000 | 352 - 4          |
| FC5-0594-000 | 145 - 7          | FC5-0862-000 | 354 - 9          | FC5-1038-000 | 352 - 5          |
| FC5-0595-000 | 310 - 25         | FC5-0870-000 | 352 - 8          | FC5-1053-000 | 353 - 9          |
| FC5-0595-000 | 311 - 25         | FC5-0871-000 | 353 - 19         | FC5-1054-000 | 354 - 36         |
| FC5-0596-000 | 104 - 3          | FC5-0872-000 | 354 - 2          | FC5-1056-000 | 130 - 3          |
| FC5-0598-000 | 300 - 14         | FC5-0873-000 | 353 - 20         | FC5-1057-000 | 130 - 13         |
| FC5-0598-000 | 301 - 14         | FC5-0888-000 | 351 - 2          | FC5-1059-000 | 130 - 14         |
| FC5-0605-000 | 301 - 16         | FC5-0889-000 | 100 - 20         | FC5-1061-000 | 130 - 16         |
| FC5-0622-000 | 300 - 15         | FC5-0942-000 | 100 - 21         | FC5-1064-000 | 130 - 17         |

# NUMERICAL INDEX

## iR2270/2870/3570/4570

| PARTS NUMBER | FIGURE & KEY NO. | PARTS NUMBER | FIGURE & KEY NO. | PARTS NUMBER | FIGURE & KEY NO. |
|--------------|------------------|--------------|------------------|--------------|------------------|
| FC5-1065-000 | 130 - 18         | FC5-1251-000 | 640 - 21         | FC5-1446-000 | 210 - 13         |
| FC5-1066-000 | 130 - 19         | FC5-1262-000 | 102 - 30         | FC5-1447-000 | 210 - 14         |
| FC5-1067-000 | 130 - 1          | FC5-1265-000 | 621 - 12         | FC5-1473-000 | 210 - 15         |
| FC5-1093-000 | 100 - 33         | FC5-1268-000 | 621 - 33         | FC5-1492-000 | 210 - 28         |
| FC5-1094-000 | 100 - 28         | FC5-1269-000 | 621 - 30         | FC5-1499-000 | 210 - 16         |
| FC5-1100-000 | 100 - 24         | FC5-1274-000 | 621 - 13         | FC5-1506-000 | 130 - 15         |
| FC5-1101-000 | 100 - 5          | FC5-1277-000 | 100 - 12         | FC5-1516-000 | 106 - 4          |
| FC5-1103-000 | 100 - 6          | FC5-1278-000 | 100 - 13         | FC5-1517-000 | 106 - 5          |
| FC5-1104-000 | 100 - 7          | FC5-1280-000 | 100 - 22         | FC5-1518-000 | 106 - 6          |
| FC5-1106-000 | 100 - 8          | FC5-1282-000 | 100 - 14         | FC5-1527-000 | 141 - 16         |
| FC5-1108-000 | 100 - 9          | FC5-1307-000 | 101 - 5          | FC5-1535-000 | 101 - 17         |
| FC5-1109-000 | 100 - 10         | FC5-1341-000 | 810 - 3          | FC5-1535-000 | 104 - 8          |
| FC5-1111-000 | 100 - 29         | FC5-1343-000 | 810 - 54         | FC5-1536-000 | 141 - 8          |
| FC5-1113-000 | 101 - 1          | FC5-1345-000 | 810 - 57         | FC5-1539-000 | 102 - 23         |
| FC5-1114-000 | 100 - 19         | FC5-1346-000 | 810 - 50         | FC5-1540-000 | 102 - 24         |
| FC5-1115-000 | 100 - 25         | FC5-1348-000 | 810 - 51         | FC5-1541-000 | 102 - 25         |
| FC5-1117-000 | 100 - 11         | FC5-1351-000 | 810 - 4          | FC5-1545-000 | 102 - 26         |
| FC5-1118-000 | 101 - 20         | FC5-1353-000 | 810 - 52         | FC5-1546-000 | 140 - 60         |
| FC5-1120-000 | 141 - 2          | FC5-1354-000 | 140 - 17         | FC5-1552-000 | 141 - 14         |
| FC5-1124-000 | 141 - 4          | FC5-1356-000 | 810 - 21         | FC5-1558-000 | 141 - 9          |
| FC5-1125-000 | 141 - 5          | FC5-1358-000 | 810 - 6          | FC5-1559-000 | 141 - 10         |
| FC5-1126-000 | 141 - 6          | FC5-1360-000 | 810 - 7          | FC5-1560-000 | 141 - 17         |
| FC5-1127-000 | 141 - 7          | FC5-1367-000 | 810 - 8          | FC5-1562-000 | 102 - 34         |
| FC5-1130-000 | 104 - 1          | FC5-1368-000 | 810 - 9          | FC5-1564-000 | 102 - 41         |
| FC5-1131-000 | 810 - 2          | FC5-1382-000 | 810 - 53         | FC5-2804-000 | 164 - 21         |
| FC5-1146-000 | 102 - 52         | FC5-1383-000 | 810 - 10         | FC5-4264-000 | 161 - 8          |
| FC5-1152-000 | 100 - 30         | FC5-1384-000 | 810 - 11         | FC5-4273-020 | 161 - 33         |
| FC5-1168-000 | 110 - 1          | FC5-1400-000 | 130 - 21         | FC5-4274-000 | 161 - 29         |
| FC5-1201-000 | 621 - 29         | FC5-1407-000 | 103 - 2          | FC5-4278-000 | 161 - 34         |
| FC5-1205-000 | 621 - 24         | FC5-1413-000 | 101 - 2          | FC5-4279-000 | 161 - 4          |
| FC5-1206-000 | 621 - 25         | FC5-1420-000 | 102 - 15         | FC5-4280-000 | 161 - 18         |
| FC5-1208-000 | 621 - 1          | FC5-1422-020 | 300 - 18         | FC5-4281-000 | 161 - 19         |
| FC5-1209-000 | 621 - 2          | FC5-1422-020 | 301 - 18         | FC5-4285-030 | 161 - 24         |
| FC5-1210-000 | 621 - 10         | FC5-1423-000 | 300 - 19         | FC5-4286-000 | 161 - 21         |
| FC5-1211-000 | 621 - 11         | FC5-1423-000 | 301 - 19         | FC5-4287-000 | 161 - 22         |
| FC5-1214-000 | 621 - 9          | FC5-1424-020 | 300 - 20         | FC5-4289-000 | 161 - 39         |
| FC5-1215-000 | 621 - 31         | FC5-1424-020 | 301 - 20         | FC5-4291-000 | 161 - 25         |
| FC5-1217-000 | 621 - 32         | FC5-1425-000 | 300 - 21         | FC5-4292-000 | 161 - 28         |
| FC5-1218-000 | 621 - 34         | FC5-1425-000 | 301 - 21         | FC5-4293-000 | 161 - 26         |
| FC5-1221-000 | 621 - 3          | FC5-1426-000 | 210 - 8          | FC5-4295-000 | 161 - 20         |
| FC5-1239-000 | 640 - 2          | FC5-1427-000 | 210 - 9          | FC5-4302-000 | 162 - 15         |
| FC5-1243-000 | 102 - 29         | FC5-1439-000 | 210 - 10         | FC5-4305-000 | 162 - 2          |
| FC5-1246-000 | 640 - 3          | FC5-1442-000 | 210 - 52         | FC5-4306-000 | 162 - 3          |
| FC5-1249-000 | 640 - 4          | FC5-1443-000 | 210 - 53         | FC5-4307-000 | 162 - 4          |

# NUMERICAL INDEX

## iR2270/2870/3570/4570

| PARTS NUMBER | FIGURE & KEY NO. | PARTS NUMBER | FIGURE & KEY NO. | PARTS NUMBER | FIGURE & KEY NO. |
|--------------|------------------|--------------|------------------|--------------|------------------|
| FC5-4308-000 | 162 - 6          | FC5-5089-000 | 900 - 10         | FC6-2797-000 | 164 - 34         |
| FC5-4309-000 | 162 - 20         | FC5-5457-000 | 130 - 21         | FC6-2798-000 | 164 - 37         |
| FC5-4323-000 | 163 - 2          | FC5-5472-000 | 991 - 1          | FC6-2899-000 | 621 - 39         |
| FC5-4324-000 | 163 - 3          | FC5-5473-000 | 991 - 2          | FC6-2900-000 | 621 - 37         |
| FC5-4326-000 | 163 - 5          | FC5-5474-000 | 353 - 10         | FC6-2902-000 | 140 - 18         |
| FC5-4327-000 | 163 - 7          | FC5-6003-000 | 352 - 24         | FC6-2903-000 | 130 - 21         |
| FC5-4329-000 | 163 - 8          | FC5-6003-000 | 354 - 12         | FC6-2904-000 | 106 - 2          |
| FC5-4336-000 | 163 - 9          | FC5-6004-000 | 352 - 27         | FC6-2909-000 | 640 - 5          |
| FC5-4338-000 | 163 - 26         | FC5-6006-000 | 354 - 6          | FC6-2911-000 | 141 - 3          |
| FC5-4341-000 | 163 - 24         | FC5-6008-000 | 354 - 20         | FC6-2915-000 | 350 - 13         |
| FC5-4353-000 | 164 - 23         | FC5-6010-000 | 352 - 9          | FC6-2915-000 | 353 - 2          |
| FC5-4354-000 | 164 - 8          | FC5-6011-000 | 351 - 6          | FC6-2915-000 | 354 - 27         |
| FC5-4356-000 | 164 - 24         | FC5-6012-000 | 354 - 32         | FC6-2918-000 | 101 - 18         |
| FC5-4358-000 | 164 - 17         | FC5-6014-000 | 353 - 21         | FC6-2920-000 | 810 - 13         |
| FC5-4359-000 | 164 - 18         | FC5-6019-000 | 354 - 21         | FC6-2924-000 | 810 - 14         |
| FC5-4362-000 | 164 - 32         | FC5-6540-000 | 100 - 15         | FC6-2925-000 | 810 - 15         |
| FC5-4363-000 | 164 - 25         | FC5-6578-000 | 102 - 47         | FC6-2927-000 | 810 - 16         |
| FC5-4365-000 | 164 - 65         | FC5-6934-000 | 310 - 19         | FC6-2928-000 | 810 - 45         |
| FC5-4367-000 | 164 - 59         | FC5-6934-000 | 311 - 19         | FC6-2929-000 | 810 - 17         |
| FC5-4368-000 | 164 - 48         | FC5-7156-000 | 810 - 33         | FC6-2937-000 | 640 - 6          |
| FC5-4372-020 | 164 - 64         | FC5-7160-000 | 810 - 12         | FC6-2941-000 | 810 - 22         |
| FC5-4373-000 | 164 - 61         | FC5-7182-000 | 810 - 56         | FC6-2942-000 | 810 - 5          |
| FC5-4374-000 | 164 - 62         | FC5-7206-000 | 621 - 37         | FC6-2943-000 | 810 - 23         |
| FC5-4376-000 | 164 - 26         | FC5-7208-000 | 261 - 4          | FC6-4624-000 | 103 - 9          |
| FC5-4381-000 | 164 - 27         | FC5-7210-000 | 100 - 38         | FC6-4627-000 | 810 - 49         |
| FC5-4382-000 | 164 - 33         | FC5-7211-000 | 100 - 38         | FC6-4815-000 | 140 - 9          |
| FC5-4391-000 | 161 - 43         | FC5-7212-000 | 100 - 38         | FC6-4820-000 | 103 - 8          |
| FC5-4396-000 | 161 - 44         | FC5-7213-000 | 100 - 38         | FC6-4824-000 | 101 - 21         |
| FC5-4399-000 | 161 - 27         | FC5-7214-000 | 100 - 38         | FC6-4832-000 | 100 - 38         |
| FC5-4400-000 | 161 - 3          | FC5-7215-000 | 100 - 38         | FC6-4833-000 | 100 - 38         |
| FC5-4402-000 | 161 - 41         | FC5-7216-000 | 300 - 31         | FC6-4834-000 | 100 - 38         |
| FC5-4406-000 | 162 - 19         | FC5-7216-000 | 301 - 31         | FC6-4837-000 | 100 - 38         |
| FC5-4408-000 | 161 - 42         | FC5-7217-000 | 315 - 19         | FC6-4838-000 | 100 - 38         |
| FC5-4410-000 | 160 - 7          | FC5-7228-000 | 810 - 50         | FC6-4839-000 | 100 - 38         |
| FC5-4421-000 | 162 - 7          | FC5-7413-000 | 145 - 12         | FC6-5067-000 | 100 - 41         |
| FC5-4422-000 | 162 - 8          | FC6-2759-000 | 210 - 2          | FC6-5075-000 | 100 - 40         |
| FC5-4424-000 | 163 - 10         | FC6-2763-000 | 210 - 35         | FC6-5076-000 | 100 - 40         |
| FC5-4424-000 | 164 - 73         | FC6-2764-000 | 210 - 38         | FC6-5085-000 | 810 - 20         |
| FC5-4425-000 | 163 - 11         | FC6-2765-000 | 210 - 3          | FC6-5087-000 | 621 - 36         |
| FC5-4425-000 | 164 - 74         | FC6-2778-000 | 161 - 10         | FC6-7207-000 | 810 - 5          |
| FC5-4427-000 | 160 - 1          | FC6-2781-000 | 164 - 5          | FF3-4303-000 | 164 - 39         |
| FC5-4427-000 | 210 - 51         | FC6-2784-000 | 163 - 25         | FF3-4306-000 | 161 - 11         |
| FC5-4428-000 | 161 - 17         | FC6-2785-000 | 164 - 1          | FF3-4526-000 | 110 - 6          |
| FC5-4458-000 | 130 - 2          | FC6-2791-000 | 164 - 6          | FF3-4527-000 | 110 - 7          |

# NUMERICAL INDEX

## iR2270/2870/3570/4570

| PARTS NUMBER | FIGURE & KEY NO. | PARTS NUMBER | FIGURE & KEY NO. | PARTS NUMBER | FIGURE & KEY NO |
|--------------|------------------|--------------|------------------|--------------|-----------------|
| FF3-4529-000 | 103 - 5          | FG6-8939-000 | 130 - 12         | FK2-0149-000 | 621 - 4         |
| FF3-4607-000 | 161 - 14         | FH2-6552-000 | 100 - 16         | FK2-0149-000 | 810 - 18        |
| FF3-4608-000 | 161 - 2          | FH2-7037-000 | 130 - 4          | FK2-0160-000 | 101 - 6         |
| FF3-4609-000 | 162 - 9          | FH2-7061-000 | 104 - 16         | FK2-0216-000 | 161 - 32        |
| FF6-0345-000 | 350 - 5          | FH2-7072-000 | 992 - 2          | FK2-0246-000 | 130 - 5         |
| FF6-2058-000 | 310 - 26         | FH2-7174-000 | 210 - 17         | FK2-0338-000 | 105 - 2         |
| FF6-2058-000 | 311 - 26         | FH4-1429-000 | 931 - IC522      | FK2-0339-000 | 105 - 2         |
| FF6-2059-000 | 310 - 27         | FH4-6145-000 | 900 - IC1005     | FK2-0340-000 | 105 - 1         |
| FF6-2059-000 | 311 - 27         | FH4-6204-000 | 930 - IC2        | FK2-0341-000 | 105 - 1         |
| FF6-2064-000 | 300 - 22         | FH4-6204-000 | 994 - IC10       | FK2-0358-000 | 621 - 14        |
| FF6-2064-000 | 301 - 22         | FH4-6218-000 | 900 - IC1006     | FK2-0358-000 | 640 - 7         |
| FF6-2363-000 | 310 - 13         | FH4-6300-000 | 900 - IC1003     | FK2-0360-000 | 140 - 20        |
| FF6-2363-000 | 311 - 13         | FH4-6300-000 | 930 - IC8        | FK2-0361-000 | 102 - 7         |
| FG3-2302-000 | 310 - 28         | FH4-6302-000 | 900 - IC1009     | FK2-0362-000 | 251 - 2         |
| FG3-2302-000 | 311 - 28         | FH4-6313-000 | 931 - IC520      | FK2-0365-000 | 281 - 2         |
| FG3-2826-000 | 992 - 1          | FH5-1021-010 | 352 - 10         | FK2-0367-000 | 106 - 1         |
| FG3-2834-000 | 130 - 7          | FH5-1028-000 | 210 - 48         | FK2-0368-000 | 103 - 6         |
| FG3-2835-000 | 130 - 8          | FH5-1108-010 | 352 - 11         | FK2-0379-000 | 621 - 5         |
| FG3-2836-000 | 130 - 9          | FH5-1128-000 | 164 - 71         | FK2-0384-000 | 102 - 27        |
| FG3-3125-000 | 161 - 16         | FH5-1129-000 | 164 - 70         | FK2-0385-000 | 250 - 2         |
| FG3-3152-000 | 210 - 26         | FH5-3550-000 | 991 - 3          | FK2-0404-000 | 250 - 8         |
| FG3-3153-000 | 210 - 29         | FH6-5005-000 | 250 - 7          | FK2-0404-000 | 251 - 7         |
| FG3-3153-000 | 210 - 44         | FH6-5075-000 | 102 - 7          | FK2-0405-000 | 900 - 9         |
| FG3-3158-000 | 210 - 45         | FH6-5076-000 | 250 - 1          | FK2-0407-000 | 900 - 8         |
| FG3-3178-020 | 105 - 3          | FH6-5076-000 | 251 - 1          | FK2-0408-000 | 310 - 29        |
| FG3-3187-000 | 315 - 1          | FH6-5128-000 | 164 - 7          | FK2-0408-000 | 311 - 29        |
| FG3-3188-000 | 140 - 27         | FH7-7312-000 | 310 - 30         | FK2-0643-000 | 001 - 2         |
| FG3-3189-000 | 140 - 19         | FH7-7312-000 | 311 - 30         | FK2-0646-000 | 001 - 3         |
| FG3-3294-000 | 351 - 7          | FH7-7569-000 | 210 - 20         | FK2-0695-000 | 001 - 4         |
| FG3-3295-000 | 354 - 7          | FH7-7625-000 | 110 - 3          | FK2-0696-000 | 001 - 5         |
| FG3-3297-000 | 351 - 8          | FH7-7626-000 | 110 - 3          | FK2-0920-000 | 001 - 1         |
| FG3-3299-000 | 353 - 11         | FH7-9334-000 | 210 - 31         | FK2-0921-000 | 001 - 2         |
| FG3-3301-000 | 351 - 9          | FK2-0015-000 | 106 - 12         | FK2-0923-000 | 001 - 3         |
| FG3-3303-000 | 164 - 40         | FK2-0140-000 | 110 - 4          | FK2-0930-000 | 001 - 5         |
| FG3-3757-000 | 162 - 18         | FK2-0146-000 | 110 - 9          | FL2-0101-000 | 140 - 29        |
| FG3-3758-000 | 162 - 5          | FK2-0148-000 | 110 - 8          | FL2-0106-000 | 140 - 1         |
| FG3-3765-000 | 931 -            | FK2-0149-000 | 101 - 16         | FL2-0116-000 | 102 - 21        |
| FG3-3766-000 | 210 - 46         | FK2-0149-000 | 102 - 44         | FL2-0126-000 | 145 - 3         |
| FG3-3767-000 | 210 - 39         | FK2-0149-000 | 140 - 28         | FL2-0127-000 | 210 - 21        |
| FG3-3768-000 | 210 - 34         | FK2-0149-000 | 281 - 1          | FL2-0128-000 | 210 - 22        |
| FG3-3793-000 | 210 - 39         | FK2-0149-000 | 351 - 10         | FL2-0143-000 | 140 - 45        |
| FG3-3794-000 | 210 - 39         | FK2-0149-000 | 352 - 6          | FL2-0178-000 | 350 - 8         |
| FG3-3795-000 | 210 - 34         | FK2-0149-000 | 353 - 12         | FL2-0203-000 | 101 - 19        |
| FG3-3965-000 | 130 - 11         | FK2-0149-000 | 354 - 22         | FL2-0203-000 | 106 - 14        |

# NUMERICAL INDEX

## iR2270/2870/3570/4570

| PARTS NUMBER | FIGURE & KEY NO. | PARTS NUMBER | FIGURE & KEY NO. | PARTS NUMBER | FIGURE & KEY NO. |
|--------------|------------------|--------------|------------------|--------------|------------------|
| FL2-0237-000 | 100 - 31         | FL2-0982-000 | 110 - 5          | FM2-0296-000 | 810 - 28         |
| FL2-0245-000 | 102 - 42         | FL2-1092-000 | 130 - 6          | FM2-0299-000 | 810 - 35         |
| FL2-0246-000 | 141 - 18         | FL2-1200-000 | 352 - 23         | FM2-0300-000 | 810 - 38         |
| FL2-0247-000 | 141 - 11         | FL2-1201-000 | 353 - 13         | FM2-0303-000 | 101 - 4          |
| FL2-0250-000 | 141 - 12         | FL2-1202-000 | 353 - 14         | FM2-0334-000 | 460 -            |
| FL2-0251-000 | 141 - 15         | FL2-1203-000 | 353 - 15         | FM2-0338-000 | 106 - 7          |
| FL2-0267-000 | 101 - 3          | FL2-1205-000 | 354 - 37         | FM2-0339-000 | 106 - 3          |
| FL2-0279-000 | 210 - 25         | FL2-1206-000 | 354 - 8          | FM2-0342-000 | 991 -            |
| FL2-0290-000 | 640 - 10         | FL2-1207-000 | 354 - 23         | FM2-0343-000 | 990 - 2          |
| FL2-0291-000 | 640 - 8          | FL2-1208-000 | 354 - 13         | FM2-0353-000 | 110 -            |
| FL2-0292-000 | 640 - 9          | FL2-1209-000 | 354 - 24         | FM2-0354-000 | 110 -            |
| FL2-0295-000 | 621 - 26         | FL2-1210-000 | 354 - 33         | FM2-0355-000 | 140 - 58         |
| FL2-0298-000 | 140 - 59         | FL2-1212-030 | 353 - 16         | FM2-0356-000 | 810 -            |
| FL2-0303-000 | 640 - 22         | FL2-1517-000 | 102 - 8          | FM2-0357-000 | 810 -            |
| FL2-0307-000 | 621 - 15         | FL2-1518-000 | 102 - 13         | FM2-0358-000 | 810 - 19         |
| FL2-0308-000 | 621 - 27         | FL2-2942-000 | 210 - 23         | FM2-0359-000 | 810 - 19         |
| FL2-0309-000 | 621 - 6          | FL2-2943-000 | 210 - 24         | FM2-0360-000 | 130 -            |
| FL2-0313-000 | 621 - 16         | FL2-2944-000 | 210 - 24         | FM2-0361-000 | 130 -            |
| FL2-0314-000 | 102 - 50         | FL2-2945-000 | 210 - 24         | FM2-0362-000 | 130 -            |
| FL2-0315-000 | 100 - 26         | FL2-2946-000 | 210 - 24         | FM2-0384-000 | 110 -            |
| FL2-0322-000 | 500 - 1          | FL2-2952-000 | 164 - 9          | FM2-0387-000 | 315 -            |
| FL2-0330-000 | 102 - 48         | FL2-2954-000 | 161 - 6          | FM2-0389-000 | 102 - 14         |
| FL2-0352-000 | 100 - 39         | FL2-2997-000 | 210 - 18         | FM2-0860-000 | 992 - 8          |
| FL2-0941-000 | 161 - 12         | FL2-2999-000 | 210 - 4          | FM2-1116-000 | 130 - 20         |
| FL2-0943-000 | 161 - 35         | FL2-3265-000 | 102 - 45         | FM2-1328-000 | 352 -            |
| FL2-0945-000 | 161 - 30         | FL2-3266-000 | 261 - 2          | FM2-1335-000 | 354 -            |
| FL2-0946-000 | 161 - 31         | FM2-0111-000 | 140 - 21         | FM2-1340-000 | 354 - 26         |
| FL2-0947-000 | 161 - 13         | FM2-0131-000 | 145 -            | FM2-1577-000 | 310 -            |
| FL2-0948-000 | 163 - 12         | FM2-0177-000 | 350 - 14         | FM2-1578-000 | 311 -            |
| FL2-0949-000 | 162 - 10         | FM2-0241-000 | 250 -            | FM2-1771-000 | 281 -            |
| FL2-0950-000 | 162 - 11         | FM2-0242-000 | 281 -            | FM2-1772-000 | 251 -            |
| FL2-0951-000 | 162 - 1          | FM2-0244-000 | 992 -            | FM2-1774-000 | 810 -            |
| FL2-0952-000 | 162 - 12         | FM2-0245-000 | 910 -            | FM2-1777-000 | 810 -            |
| FL2-0953-000 | 163 - 13         | FM2-0250-000 | 140 -            | FM2-1786-000 | 810 -            |
| FL2-0955-000 | 163 - 14         | FM2-0252-000 | 141 -            | FM2-1787-000 | 810 -            |
| FL2-0958-000 | 164 - 29         | FM2-0260-000 | 910 -            | FM2-1792-000 | 810 - 19         |
| FL2-0959-000 | 164 - 30         | FM2-0261-000 | 104 - 14         | FM2-1793-000 | 810 - 19         |
| FL2-0960-000 | 164 - 31         | FM2-0276-000 | 460 -            | FM2-1794-000 | 810 - 19         |
| FL2-0961-000 | 161 - 7          | FM2-0286-000 | 621 -            | FM2-2758-000 | 130 - 10         |
| FL2-0962-000 | 164 - 51         | FM2-0287-000 | 640 -            | FM2-2764-000 | 105 - 7          |
| FL2-0963-000 | 164 - 52         | FM2-0289-000 | 640 - 11         | FM2-2767-000 | 930 - 1          |
| FL2-0964-000 | 164 - 53         | FM2-0290-000 | 621 - 7          | FM2-2768-000 | 315 - 14         |
| FL2-0965-000 | 164 - 16         | FM2-0292-000 | 810 -            | FM2-2769-000 | 810 - 40         |
| FL2-0968-000 | 164 - 58         | FM2-0293-000 | 810 - 19         | FM2-2770-000 | 102 - 16         |



# NUMERICAL INDEX

## iR2270/2870/3570/4570

| PARTS NUMBER | FIGURE & KEY NO. | PARTS NUMBER | FIGURE & KEY NO. | PARTS NUMBER | FIGURE & KEY NO. |
|--------------|------------------|--------------|------------------|--------------|------------------|
| FM2-2771-000 | 102 - 22         | FM2-2964-000 | 162 -            | FS6-8116-000 | 300 - 23         |
| FM2-2773-000 | 992 - 4          | FM2-2973-000 | 990 - 1          | FS6-8116-000 | 301 - 23         |
| FM2-2774-000 | 930 - 2          | FM2-3120-000 | 990 - 6          | FS6-8992-000 | 100 - 46         |
| FM2-2776-000 | 103 - 7          | FM2-3122-000 | 992 - 3          | FS7-2660-000 | 161 - 36         |
| FM2-2779-000 | 930 - 1          | FM2-3123-000 | 992 - 5          | FS7-2662-000 | 161 - 5          |
| FM2-2789-000 | 992 - 12         | FM2-3124-000 | 992 - 6          | FS7-2663-000 | 163 - 16         |
| FM2-2790-000 | 992 - 10         | FM2-3127-000 | 992 - 7          | FS7-2664-000 | 164 - 66         |
| FM2-2799-000 | 900 - 1          | FM2-3128-000 | 992 - 9          | FS7-2666-000 | 164 - 43         |
| FM2-2815-000 | 105 - 13         | FM2-3129-000 | 990 - 7          | FS7-2788-000 | 104 - 5          |
| FM2-2816-000 | 281 - 3          | FM2-3130-000 | 990 - 8          | FS7-2788-000 | 145 - 9          |
| FM2-2817-000 | 107 - 1          | FM2-3221-000 | 994 -            | FS7-2797-000 | 310 - 36         |
| FM2-2818-000 | 106 - 13         | FM2-3226-000 | 900 - 2          | FS7-2797-000 | 311 - 36         |
| FM2-2819-000 | 105 - 9          | FM2-3265-000 | 350 - 1          | FS7-2798-000 | 310 - 37         |
| FM2-2820-000 | 105 - 10         | FM2-4471-000 | 353 -            | FS7-2798-000 | 311 - 37         |
| FM2-2824-000 | 105 - 8          | FS1-1205-000 | 310 - 32         | FS7-2800-000 | 310 - 38         |
| FM2-2826-000 | 107 - 2          | FS1-1205-000 | 311 - 32         | FS7-2800-000 | 311 - 38         |
| FM2-2830-000 | 105 - 11         | FS1-1213-000 | 310 - 33         | FS7-2801-000 | 310 - 39         |
| FM2-2831-000 | 104 - 9          | FS1-1213-000 | 311 - 33         | FS7-2801-000 | 311 - 39         |
| FM2-2833-000 | 105 - 11         | FS1-1512-000 | 810 - 55         | FS7-2802-000 | 310 - 40         |
| FM2-2838-000 | 261 - 3          | FS1-9009-020 | 810 - 27         | FS7-2802-000 | 311 - 40         |
| FM2-2839-000 | 621 - 35         | FS1-9010-020 | 164 - 63         | FS7-2803-000 | 310 - 41         |
| FM2-2840-000 | 105 - 12         | FS2-1014-000 | 621 - 17         | FS7-2803-000 | 311 - 41         |
| FM2-2841-000 | 105 - 12         | FS2-9010-000 | 164 - 60         | FS7-2805-000 | 300 - 24         |
| FM2-2842-000 | 250 - 3          | FSS-1209-000 | 140 - 33         | FS7-2805-000 | 301 - 24         |
| FM2-2842-000 | 251 - 3          | FSS-1377-000 | 354 - 25         | FS7-2859-000 | 353 - 24         |
| FM2-2843-000 | 105 - 4          | FSS-1595-000 | 104 - 4          | FS7-2859-000 | 354 - 34         |
| FM2-2845-000 | 102 - 51         | FSS-1595-000 | 145 - 8          | FS7-5909-000 | 310 - 42         |
| FM2-2847-000 | 810 - 43         | FSS-1597-000 | 310 - 34         | FS7-5909-000 | 311 - 42         |
| FM2-2851-000 | 102 - 9          | FSS-1597-000 | 311 - 34         | FS7-5910-000 | 310 - 43         |
| FM2-2853-000 | 102 - 53         | FSS-1943-000 | 350 - 9          | FS7-5910-000 | 311 - 43         |
| FM2-2856-000 | 100 - 44         | FSS-1943-000 | 352 - 25         | FS7-8143-020 | 100 - 48         |
| FM2-2857-000 | 810 - 44         | FSS-1943-000 | 353 - 22         | FU3-0280-000 | 310 - 44         |
| FM2-2858-000 | 102 - 46         | FSS-1943-000 | 354 - 38         | FU3-0280-000 | 311 - 44         |
| FM2-2859-000 | 100 - 47         | FSS-1945-000 | 810 - 36         | FU3-0282-000 | 310 - 45         |
| FM2-2862-000 | 101 - 14         | FSS-1947-000 | 250 - 4          | FU3-0282-000 | 311 - 45         |
| FM2-2863-000 | 990 - 5          | FSS-1947-000 | 251 - 4          | FU3-0283-000 | 310 - 46         |
| FM2-2868-000 | 110 - 2          | FSS-6448-000 | 640 - 12         | FU3-0283-000 | 311 - 46         |
| FM2-2954-000 | 163 -            | FSS-6488-000 | 353 - 23         | FU3-0284-000 | 310 - 47         |
| FM2-2955-000 | 163 - 15         | FSS-9227-020 | 210 - 11         | FU3-0284-000 | 311 - 47         |
| FM2-2956-000 | 163 - 27         | FSS-9664-000 | 104 - 15         | FU3-0285-000 | 106 - 8          |
| FM2-2957-000 | 163 - 23         | FS6-1063-000 | 310 - 35         | FU3-0288-000 | 310 - 48         |
| FM2-2958-000 | 163 - 18         | FS6-1063-000 | 311 - 35         | FU3-0288-000 | 311 - 48         |
| FM2-2959-000 | 164 -            | FS6-2790-000 | 140 - 34         | FU3-0289-000 | 310 - 49         |
| FM2-2961-000 | 164 - 14         | FS6-2791-000 | 140 - 35         | FU3-0289-000 | 311 - 49         |

# NUMERICAL INDEX

## iR2270/2870/3570/4570

| PARTS NUMBER | FIGURE & KEY NO. | PARTS NUMBER | FIGURE & KEY NO. | PARTS NUMBER | FIGURE & KEY NO. |
|--------------|------------------|--------------|------------------|--------------|------------------|
| FU3-0290-000 | 310 - 50         | FU5-0128-000 | 350 - 10         | FU5-2102-000 | 810 - 37         |
| FU3-0290-000 | 311 - 50         | FU5-0129-000 | 810 - 46         | FU5-2103-000 | 210 - 27         |
| FU3-0291-000 | 310 - 51         | FU5-0628-000 | 163 - 20         | FU5-2104-000 | 300 - 29         |
| FU3-0291-000 | 311 - 51         | FU5-0629-000 | 164 - 44         | FU5-2104-000 | 301 - 29         |
| FU3-0292-000 | 310 - 52         | FU5-0630-000 | 164 - 45         | FU5-2105-000 | 210 - 41         |
| FU3-0292-000 | 311 - 52         | FU5-0633-000 | 162 - 17         | FU5-2364-000 | 164 - 41         |
| FU3-0293-000 | 300 - 25         | FU5-1006-000 | 140 - 49         | FU5-2611-000 | 141 - 22         |
| FU3-0293-000 | 301 - 25         | FU5-1026-000 | 640 - 18         | FU5-2652-000 | 102 - 10         |
| FU3-0294-000 | 300 - 26         | FU5-1028-000 | 102 - 36         | FU5-2653-000 | 104 - 11         |
| FU3-0294-000 | 301 - 26         | FU5-1029-000 | 102 - 35         | FU5-3016-000 | 140 - 51         |
| FU3-0347-000 | 310 - 53         | FU5-1030-000 | 102 - 31         | FU5-3018-000 | 354 - 39         |
| FU3-0347-000 | 311 - 53         | FU5-1031-000 | 640 - 19         | FU5-3019-000 | 353 - 26         |
| FU3-0349-000 | 310 - 54         | FU5-1168-000 | 163 - 19         | FU5-3020-000 | 352 - 15         |
| FU3-0349-000 | 311 - 54         | FU5-1169-000 | 164 - 46         | FU5-3020-000 | 353 - 27         |
| FU3-0350-000 | 310 - 55         | FU5-1170-000 | 164 - 47         | FU5-3021-000 | 352 - 26         |
| FU3-0350-000 | 311 - 55         | FU5-1171-000 | 164 - 42         | FU5-3021-000 | 354 - 40         |
| FU3-0352-000 | 310 - 56         | FU5-1172-000 | 163 - 21         | FU5-3022-000 | 352 - 16         |
| FU3-0352-000 | 311 - 56         | FU5-1172-000 | 164 - 72         | FU5-3030-000 | 210 - 49         |
| FU5-0006-000 | 140 - 48         | FU5-1173-000 | 161 - 37         | FU5-3146-000 | 164 - 50         |
| FU5-0054-000 | 352 - 12         | FU5-2030-000 | 145 - 10         | FU5-3147-000 | 164 - 35         |
| FU5-0061-000 | 140 - 36         | FU5-2032-000 | 300 - 27         | FU5-3148-000 | 164 - 36         |
| FU5-0062-000 | 315 - 12         | FU5-2033-000 | 301 - 27         | FU5-3149-000 | 164 - 69         |
| FU5-0063-000 | 315 - 13         | FU5-2034-000 | 140 - 37         | FU5-3150-000 | 164 - 38         |
| FU5-0076-000 | 353 - 25         | FU5-2035-000 | 102 - 43         | FU5-3178-000 | 102 - 11         |
| FU5-0077-000 | 352 - 13         | FU5-2037-000 | 141 - 20         | FU5-3179-000 | 102 - 12         |
| FU5-0078-000 | 352 - 14         | FU5-2038-000 | 104 - 10         | FU5-3180-000 | 102 - 20         |
| FU5-0087-000 | 250 - 9          | FU5-2044-000 | 140 - 55         | FU5-3328-000 | 210 - 43         |
| FU5-0087-000 | 251 - 8          | FU5-2045-000 | 140 - 56         | FU5-3333-000 | 163 - 17         |
| FU5-0095-000 | 281 - 4          | FU5-2057-000 | 210 - 42         | FU5-3336-000 | 164 - 67         |
| FU5-0096-000 | 281 - 5          | FU5-2063-000 | 140 - 50         | FU5-3337-000 | 164 - 54         |
| FU5-0097-000 | 281 - 6          | FU5-2064-000 | 101 - 12         | FU5-6014-000 | 140 - 57         |
| FU5-0098-000 | 250 - 10         | FU5-2066-000 | 104 - 13         | FU5-8001-000 | 210 - 36         |
| FU5-0098-000 | 251 - 9          | FU5-2067-000 | 140 - 47         | FU5-8003-000 | 210 - 36         |
| FU5-0101-000 | 281 - 7          | FU5-2068-000 | 350 - 11         | FU5-8005-000 | 210 - 36         |
| FU5-0108-000 | 621 - 18         | FU5-2073-000 | 810 - 34         | FU5-8007-000 | 210 - 36         |
| FU5-0109-000 | 621 - 19         | FU5-2074-000 | 350 - 12         | FU5-8011-000 | 145 - 11         |
| FU5-0110-000 | 640 - 13         | FU5-2076-000 | 141 - 21         | FU5-8021-000 | 100 - 45         |
| FU5-0111-000 | 640 - 14         | FU5-2079-000 | 250 - 11         | FU5-8550-000 | 210 - 50         |
| FU5-0112-000 | 640 - 15         | FU5-2079-000 | 251 - 10         | FU5-8551-000 | 210 - 50         |
| FU5-0113-000 | 640 - 16         | FU5-2089-000 | 621 - 21         | FU5-8552-000 | 210 - 50         |
| FU5-0114-000 | 640 - 17         | FU5-2090-000 | 102 - 32         | FU5-8553-000 | 210 - 50         |
| FU5-0115-000 | 621 - 20         | FU5-2096-000 | 101 - 15         | FU5-9006-020 | 210 - 30         |
| FU5-0126-000 | 281 - 8          | FU5-2097-000 | 300 - 28         | FU5-9139-000 | 160 - 2          |
| FU5-0127-000 | 810 - 48         | FU5-2097-000 | 301 - 28         | FU5-9140-000 | 160 - 3          |

# NUMERICAL INDEX

## iR2270/2870/3570/4570

| PARTS NUMBER | FIGURE & KEY NO. | PARTS NUMBER | FIGURE & KEY NO. | PARTS NUMBER | FIGURE & KEY NO. |
|--------------|------------------|--------------|------------------|--------------|------------------|
| FU6-0019-000 | 281 - 10         | RS5-1567-000 | 311 - 59         | XA9-1386-000 | 991 - 5          |
| FU6-0020-000 | 281 - 11         | VS1-7177-002 | 161 - 40         | XA9-1386-000 | 992 - 11         |
| FU6-0021-000 | 810 - 48         | VS1-7177-004 | 210 - 54         | XA9-1415-000 | 210 - 32         |
| FU6-0023-000 | 810 - 24         | VS1-7177-006 | 210 - 55         | XA9-1468-000 | 102 - 5          |
| FU6-0024-000 | 261 - 5          | VT2-5018-000 | 900 - 4          | XB1-2300-306 | 161 - 504        |
| FU6-0029-000 | 261 - 6          | WA7-3296-000 | 900 - 5          | XB1-2300-306 | 164 - 506        |
| FU6-0673-000 | 164 - 55         | WE8-5689-000 | 001 - 6          | XB1-2300-405 | 353 - 501        |
| FU6-2009-000 | 102 - 28         | WE8-5764-000 | 900 - 7          | XB1-2300-405 | 354 - 502        |
| FU6-2010-000 | 141 - 19         | WG8-5624-000 | 162 - 13         | XB1-2300-407 | 103 - 4          |
| FU6-2011-000 | 102 - 33         | WG8-5624-000 | 164 - 56         | XB1-2300-409 | 810 - 501        |
| FU6-2012-000 | 621 - 38         | WG8-5624-000 | 210 - 19         | XB1-2300-605 | 210 - 504        |
| FU6-2014-000 | 141 - 23         | WM2-5216-000 | 900 - 3          | XB1-2300-607 | 106 - 501        |
| FU6-2016-000 | 101 - 22         | WT2-5565-000 | 315 - 16         | XB1-2300-607 | 310 - 501        |
| FU6-2021-000 | 810 - 47         | X71-9310-000 | 640 - 20         | XB1-2300-607 | 311 - 501        |
| FU6-2236-000 | 210 - 40         | XA9-0265-000 | 105 - 5          | XB1-2300-607 | 900 - 503        |
| HH2-2830-000 | 990 - 4          | XA9-0465-000 | 900 - 6          | XB1-2301-407 | 102 - 503        |
| NPN          | 001 -            | XA9-0605-000 | 100 - 42         | XB1-2400-603 | 110 - 501        |
| NPN          | 100 -            | XA9-0656-000 | 311 - 60         | XB1-2400-606 | 164 - 505        |
| NPN          | 101 -            | XA9-0702-000 | 810 - 31         | XB1-2400-607 | 310 - 508        |
| NPN          | 102 -            | XA9-0874-000 | 160 - 4          | XB1-2400-607 | 311 - 508        |
| NPN          | 103 -            | XA9-0894-000 | 140 - 39         | XB1-2400-807 | 100 - 502        |
| NPN          | 104 -            | XA9-0894-000 | 161 - 15         | XB1-2401-406 | 161 - 507        |
| NPN          | 105 -            | XA9-0894-000 | 164 - 75         | XB1-2402-007 | 110 - 502        |
| NPN          | 106 -            | XA9-0962-000 | 310 - 60         | XB1-2500-603 | 110 - 505        |
| NPN          | 107 -            | XA9-1164-000 | 104 - 17         | XB1-3300-607 | 310 - 502        |
| NPN          | 160 -            | XA9-1164-000 | 250 - 5          | XB1-3300-607 | 311 - 502        |
| NPN          | 161 -            | XA9-1164-000 | 251 - 5          | XB2-8300-607 | 300 - 501        |
| NPN          | 210 -            | XA9-1164-000 | 281 - 9          | XB2-8300-607 | 301 - 501        |
| NPN          | 261 -            | XA9-1297-000 | 141 - 24         | XB2-8300-607 | 900 - 501        |
| NPN          | 300 -            | XA9-1386-000 | 100 - 34         | XB2-8300-805 | 210 - 501        |
| NPN          | 301 -            | XA9-1386-000 | 101 - 13         | XB3-6300-600 | 310 - 503        |
| NPN          | 350 -            | XA9-1386-000 | 102 - 6          | XB3-6300-600 | 311 - 503        |
| NPN          | 351 -            | XA9-1386-000 | 103 - 3          | XB4-5300-607 | 141 - 501        |
| NPN          | 500 -            | XA9-1386-000 | 104 - 12         | XB4-5300-607 | 621 - 501        |
| NPN          | 900 -            | XA9-1386-000 | 105 - 6          | XB4-5300-607 | 640 - 501        |
| NPN          | 930 -            | XA9-1386-000 | 106 - 11         | XB4-5300-607 | 810 - 502        |
| NPN          | 990 -            | XA9-1386-000 | 140 - 52         | XB4-5300-805 | 351 - 502        |
| RB1-6539-000 | 310 - 57         | XA9-1386-000 | 210 - 12         | XB4-5300-805 | 354 - 501        |
| RB1-6539-000 | 311 - 57         | XA9-1386-000 | 310 - 31         | XB4-5300-806 | 161 - 502        |
| RB1-8945-000 | 310 - 58         | XA9-1386-000 | 351 - 11         | XB4-5300-806 | 163 - 502        |
| RB1-8945-000 | 311 - 58         | XA9-1386-000 | 352 - 17         | XB4-5300-807 | 300 - 502        |
| RS1-1087-000 | 810 - 25         | XA9-1386-000 | 354 - 41         | XB4-5300-807 | 301 - 502        |
| RS5-1446-000 | 810 - 41         | XA9-1386-000 | 621 - 22         | XB4-5301-007 | 130 - 501        |
| RS5-1567-000 | 310 - 59         | XA9-1386-000 | 990 - 3          | XB4-5400-807 | 101 - 501        |

# NUMERICAL INDEX

## iR2270/2870/3570/4570

| PARTS NUMBER | FIGURE & KEY NO. | PARTS NUMBER | FIGURE & KEY NO. | PARTS NUMBER | FIGURE & KEY NO. |
|--------------|------------------|--------------|------------------|--------------|------------------|
| XB4-5400-807 | 102 - 505        | XD1-4200-502 | 110 - 506        | XD3-2200-162 | 350 - 503        |
| XB4-5400-807 | 145 - 501        | XD2-1100-242 | 810 - 505        | XD3-2200-182 | 261 - 504        |
| XB4-5400-807 | 310 - 504        | XD2-1100-322 | 164 - 504        | XD3-2300-142 | 621 - 502        |
| XB4-5400-807 | 311 - 504        | XD2-1100-402 | 102 - 501        | XF2-1604-435 | 164 - 57         |
| XB4-5400-807 | 350 - 501        | XD2-1100-402 | 161 - 511        | XF2-1605-760 | 261 - 505        |
| XB4-5400-809 | 161 - 506        | XD2-1100-422 | 140 - 502        | XF2-1605-940 | 164 - 2          |
| XB4-5400-809 | 164 - 503        | XD2-1100-502 | 102 - 502        | XF2-1606-135 | 163 - 22         |
| XB4-5401-007 | 100 - 501        | XD2-1100-502 | 161 - 505        | XF2-1607-440 | 164 - 3          |
| XB4-5401-007 | 140 - 501        | XD2-1100-502 | 210 - 505        | XF2-1607-640 | 164 - 68         |
| XB4-5401-007 | 141 - 502        | XD2-1100-502 | 250 - 502        | XF2-1607-840 | 106 - 9          |
| XB4-5401-007 | 315 - 501        | XD2-1100-502 | 251 - 501        | XF2-1608-860 | 102 - 19         |
| XB4-5401-205 | 161 - 503        | XD2-1100-502 | 281 - 502        | XF2-1609-040 | 106 - 10         |
| XB4-5401-205 | 352 - 502        | XD2-1100-502 | 310 - 506        | XF2-3616-660 | 164 - 19         |
| XB4-5401-205 | 353 - 502        | XD2-1100-502 | 311 - 506        | XF2-4104-040 | 281 - 504        |
| XB4-5401-205 | 354 - 503        | XD2-1100-502 | 350 - 502        | XF2-4104-240 | 352 - 18         |
| XB4-5401-207 | 310 - 505        | XD2-1100-502 | 351 - 501        | XF2-4107-940 | 353 - 28         |
| XB4-5401-207 | 311 - 505        | XD2-1100-502 | 352 - 501        | XF2-4108-240 | 352 - 19         |
| XB4-7300-809 | 162 - 501        | XD2-1100-502 | 353 - 503        | XF2-4109-240 | 354 - 42         |
| XB6-2300-409 | 250 - 501        | XD2-1100-502 | 354 - 504        | XF2-4112-240 | 140 - 53         |
| XB6-2300-409 | 251 - 503        | XD2-1100-502 | 640 - 507        | XF2-4606-740 | 210 - 503        |
| XB6-7300-000 | 900 - 502        | XD2-1100-502 | 810 - 503        | XF9-0727-000 | 164 - 4          |
| XB6-7300-407 | 210 - 507        | XD2-1100-642 | 102 - 504        | XF9-0743-000 | 210 - 33         |
| XB6-7300-607 | 105 - 501        | XD2-1100-642 | 164 - 501        | XG9-0111-000 | 621 - 23         |
| XB6-7300-607 | 106 - 503        | XD2-1100-642 | 250 - 503        | XG9-0387-000 | 810 - 42         |
| XB6-7300-607 | 110 - 503        | XD2-1100-642 | 251 - 502        | XG9-0507-000 | 164 - 49         |
| XB6-7300-607 | 130 - 502        | XD2-1100-642 | 261 - 502        | XG9-0520-000 | 353 - 29         |
| XB6-7300-607 | 261 - 501        | XD2-1100-642 | 281 - 503        | XG9-0521-000 | 640 - 510        |
| XB6-7300-607 | 640 - 502        | XD2-1100-642 | 621 - 504        | XH9-0125-000 | 102 - 4          |
| XB6-7300-607 | 990 - 501        | XD2-1100-642 | 810 - 504        | XH9-0126-000 | 161 - 9          |
| XB6-7300-607 | 992 - 501        | XD2-1200-502 | 163 - 503        | XZ9-0582-000 | 100 - 27         |
| XB6-7300-609 | 281 - 501        | XD2-2100-502 | 164 - 502        |              |                  |
| XB6-7300-807 | 300 - 503        | XD2-2100-802 | 640 - 508        |              |                  |
| XB6-7300-807 | 301 - 503        | XD3-1200-102 | 161 - 509        |              |                  |
| XB7-2100-405 | 161 - 508        | XD3-1300-162 | 161 - 510        |              |                  |
| XBI-2400-606 | 161 - 501        | XD3-2160-162 | 140 - 504        |              |                  |
| XD1-1104-135 | 300 - 504        | XD3-2200-102 | 140 - 503        |              |                  |
| XD1-1104-135 | 301 - 504        | XD3-2200-102 | 163 - 501        |              |                  |
| XD1-1104-634 | 640 - 503        | XD3-2200-102 | 164 - 507        |              |                  |
| XD1-1106-215 | 640 - 505        | XD3-2200-122 | 261 - 503        |              |                  |
| XD1-1106-219 | 141 - 503        | XD3-2200-122 | 310 - 507        |              |                  |
| XD1-1108-215 | 102 - 506        | XD3-2200-122 | 311 - 507        |              |                  |
| XD1-1108-215 | 640 - 506        | XD3-2200-122 | 352 - 503        |              |                  |
| XD1-1108-218 | 621 - 503        | XD3-2200-122 | 354 - 505        |              |                  |
| XD1-4200-402 | 110 - 504        | XD3-2200-142 | 640 - 509        |              |                  |

# **iR2270/2870/3570/4570**

|          |                        |
|----------|------------------------|
| 100V     | F14-3211-000KGG00001-  |
| 100V     | F14-3218-000KBR00001-  |
| 100V     | F14-3221-000KGGH00001- |
| 100V     | F14-3228-000KBS00001-  |
| 120V UL  | F14-3231-000KGGJ00001- |
| 120V UL  | F14-3238-000KGBT00001- |
| 230V     | F14-3241-000KGM00001-  |
| 230V     | F14-3248-000KGBX00001- |
| 230V CA  | F14-3261-000KGN00001-  |
| 230V CA  | F14-3268-000KGBY00001- |
| 230V EUR | F14-3291-000KGL00001-  |
| 230V EUR | F14-3298-000KBU00001-  |
| 100V     | F14-3311-000KFZ00001-  |
| 100V     | F14-3318-000KBBK00001- |
| 100V     | F14-3321-000KGB00001-  |
| 100V     | F14-3328-000KBL00001-  |
| 120V UL  | F14-3331-000KGC00001-  |
| 120V UL  | F14-3338-000KBM00001-  |
| 230V     | F14-3341-000KGE00001-  |
| 230V     | F14-3348-000KBP00001-  |
| 230V CA  | F14-3361-000KGF00001-  |
| 230V CA  | F14-3368-000KBBQ00001- |
| 230V EUR | F14-3391-000KGD00001-  |
| 230V EUR | F14-3398-000KBN00001-  |
| 100V     | F14-5411-000KFM00001-  |
| 100V     | F14-5418-000KAW00001-  |

|          |                       |
|----------|-----------------------|
| 100V     | F14-5421-000KFN00001- |
| 100V     | F14-5428-000KAX00001- |
| 120V UL  | F14-5431-000KFP00001- |
| 120V UL  | F14-5438-000KAY00001- |
| 230V     | F14-5441-000KFR00001- |
| 230V     | F14-5448-000KBB00001- |
| 230V CA  | F14-5461-000KFS00001- |
| 230V CA  | F14-5468-000KBC00001- |
| 230V EUR | F14-5491-000KFQ00001- |
| 230V EUR | F14-5498-000KAZ00001- |
| 100V     | F14-6711-000KFT00001- |
| 100V     | F14-6718-000KBD00001- |
| 100V     | F14-6721-000KFU00001- |
| 100V     | F14-6728-000KBE00001- |
| 120V UL  | F14-6731-000KFV00001- |
| 120V UL  | F14-6738-000KBF00001- |
| 230V     | F14-6741-000KFX00001- |
| 230V     | F14-6748-000KBH00001- |
| 230V CA  | F14-6761-000KFY00001- |
| 230V CA  | F14-6768-000KBJ00001- |
| 230V EUR | F14-6791-000KFW00001- |
| 230V EUR | F14-6798-000KBG00001- |

# Contents

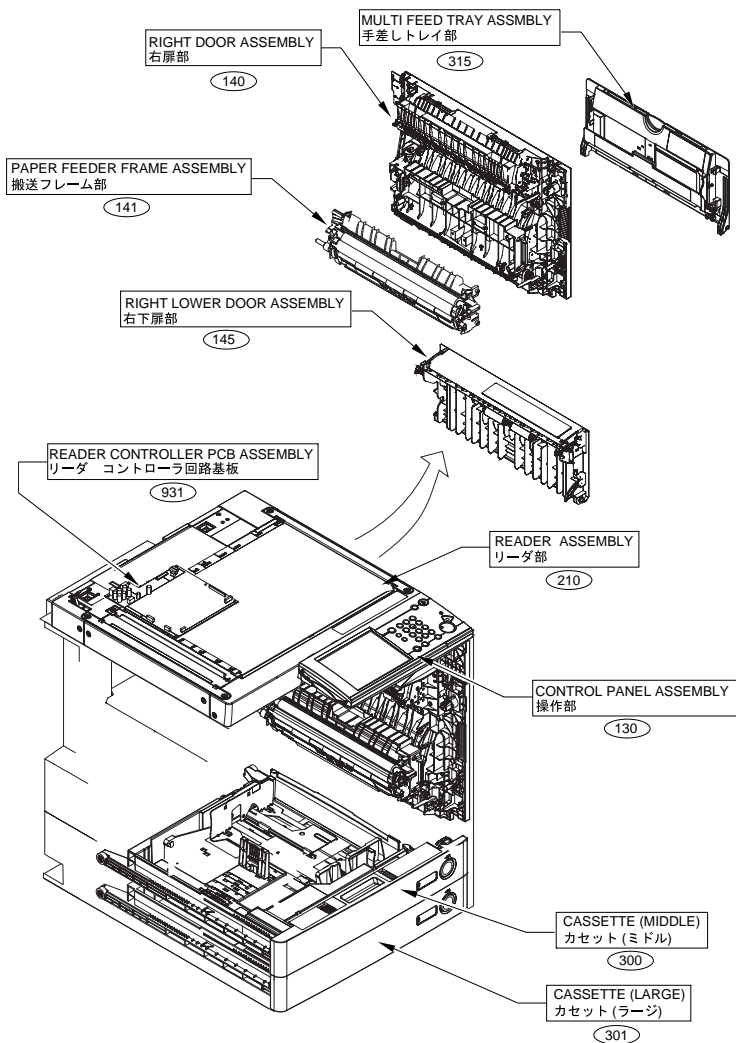
|     |   |       |
|-----|---|-------|
| A   | ASSEMBLY LOCATION DIAGRAM .....         | 2-1   |
| 001 | ACCESSORIES .....                       | 2-8   |
| 100 | EXTERNAL COVERS, PANELS, ETC. ....      | 2-11  |
| 101 | MACHINE FRONT PLATE .....               | 2-16  |
| 102 | INTERNAL COMPONENTS 1 .....             | 2-19  |
| 103 | INTERNAL COMPONENTS 2 .....             | 2-24  |
| 104 | INTERNAL COMPONENTS 3 .....             | 2-27  |
| 105 | MACHINE REAR PLATE 1 .....              | 2-30  |
| 106 | MACHINE REAR PLATE 2 .....              | 2-33  |
| 107 | MACHINE REAR PLATE 3 .....              | 2-36  |
| 110 | POWER CORD TERMINAL ASSEMBLY .....      | 2-39  |
| 130 | CONTROL PANEL ASSEMBLY .....            | 2-42  |
| 140 | RIGHT DOOR ASSEMBLY .....               | 2-45  |
| 141 | PAPER FEEDER FRAME ASSEMBLY .....       | 2-51  |
| 145 | RIGHT LOWER DOOR ASSEMBLY .....         | 2-54  |
| 160 | DADF MOUNTING HARDWARE .....            | 2-57  |
| 161 | DADF ASSEMBLY .....                     | 2-60  |
| 162 | DOCUMENT TRAY ASSEMBLY .....            | 2-68  |
| 163 | OPEN/CLOSE PANEL ASSEMBLY .....         | 2-72  |
| 164 | PAPER FEEDER ASSEMBLY .....             | 2-77  |
| 210 | READER ASSEMBLY .....                   | 2-87  |
| 250 | MAIN DRIVE ASSEMBLY .....               | 2-93  |
| 251 | MAIN DRIVE ASSEMBLY .....               | 2-96  |
| 261 | FIXING PAPER DELIVERY DRIVE ASS'Y ..... | 2-99  |
| 281 | FIXING DELIVERY DRIVE ASSEMBLY .....    | 2-102 |
| 300 | CASSETTE (MIDDLE) .....                 | 2-105 |
| 301 | CASSETTE (LARGE) .....                  | 2-109 |
| 310 | PAPER PICK-UP ASSEMBLY (MIDDLE) .....   | 2-113 |
| 311 | PAPER PICK-UP ASSEMBLY (LARGE) .....    | 2-118 |
| 315 | MULTI FEED TRAY ASSEMBLY .....          | 2-123 |
| 350 | PAPER DELIVERY ASSEMBLY .....           | 2-126 |
| 351 | 2ND 3RD DELIVERY ASSEMBLY .....         | 2-129 |
| 352 | 2ND UPPER DELIVERY ASSEMBLY .....       | 2-132 |
| 353 | 2ND DELIVERY FRAME ASSEMBLY .....       | 2-136 |
| 354 | 3RD DELIVERY FRAME ASSEMBLY .....       | 2-141 |
| 460 | LASER SCANNER ASSEMBLY .....            | 2-146 |
| 500 | DRUM CARTRIDGE ASSEMBLY .....           | 2-147 |
| 621 | HOPPER ASSEMBLY .....                   | 2-149 |
| 640 | DEVELOPING ASSEMBLY .....               | 2-153 |
| 810 | FIXING ASSEMBLY .....                   | 2-156 |
| 900 | CONTROLLER BOX ASSEMBLY .....           | 2-161 |
| 910 | MAIN POWER SUPPLY PCB ASSEMBLY .....    | 2-163 |
| 930 | DC CONTROLLER PCB ASSEMBLY .....        | 2-164 |
| 931 | READER CONTROLLER PCB ASSEMBLY .....    | 2-165 |
| 990 | FAX ASSEMBLY .....                      | 2-167 |

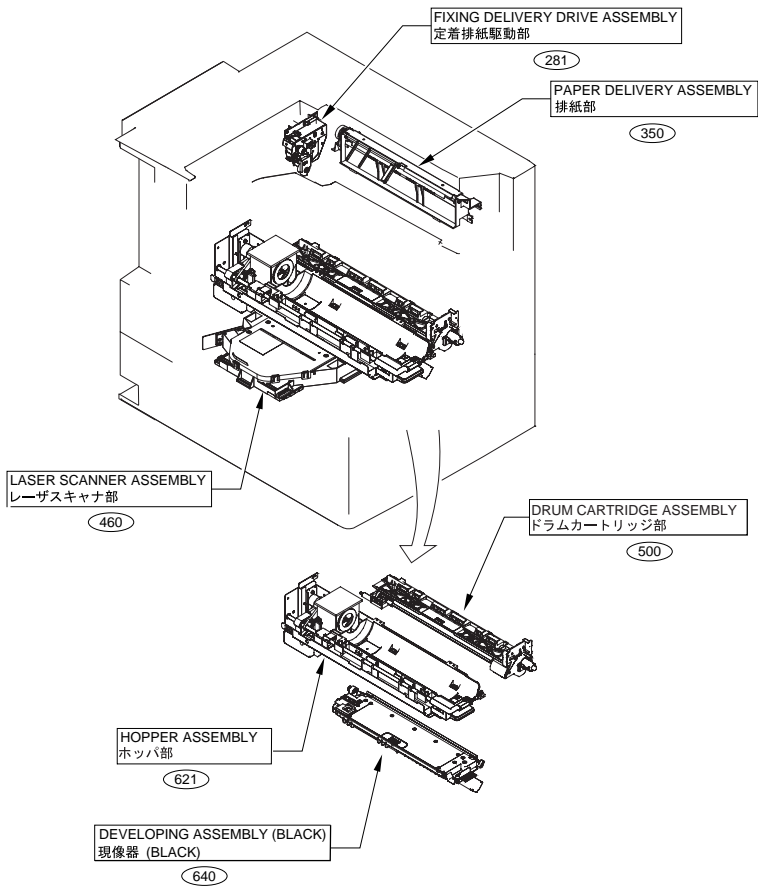
# Contents

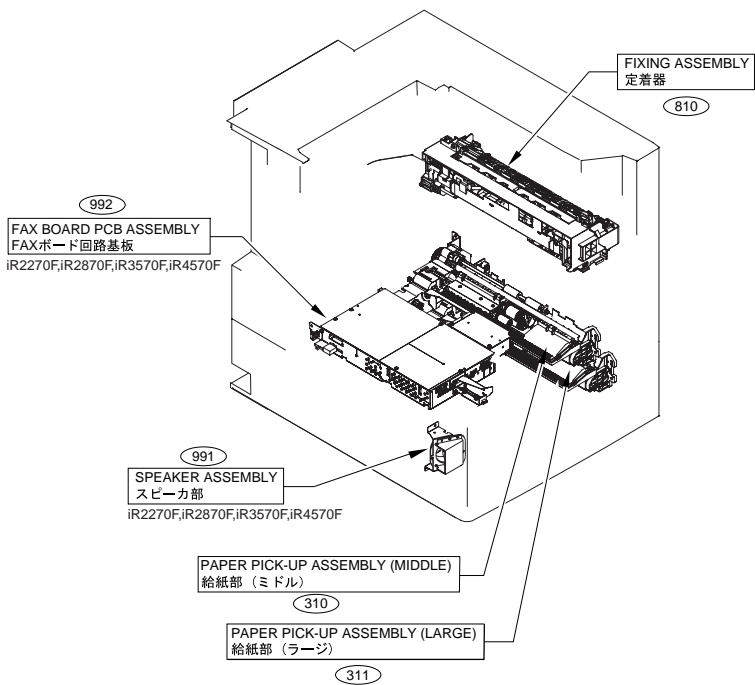
|     |                                     |       |
|-----|-------------------------------------|-------|
| 991 | SPEAKER ASSEMBLY.....               | 2-170 |
| 992 | FAX BOARD PCB ASSEMBLY .....        | 2-173 |
| 994 | DELIVERY CONTROLLER PCB ASS'Y ..... | 2-175 |

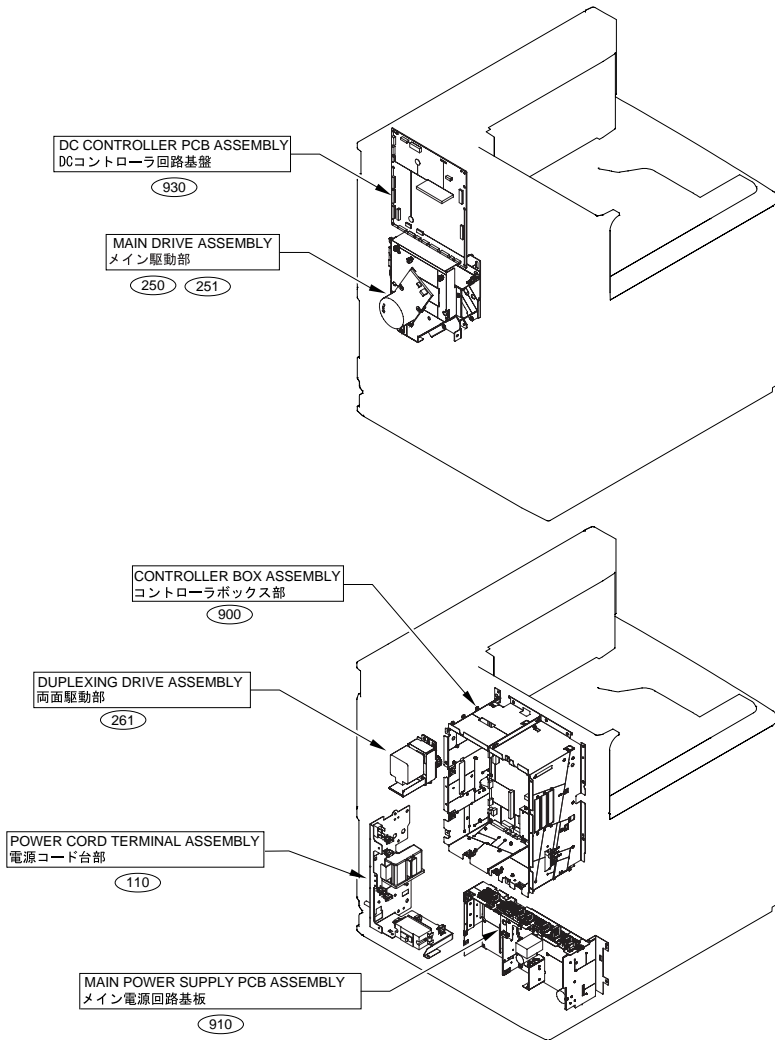


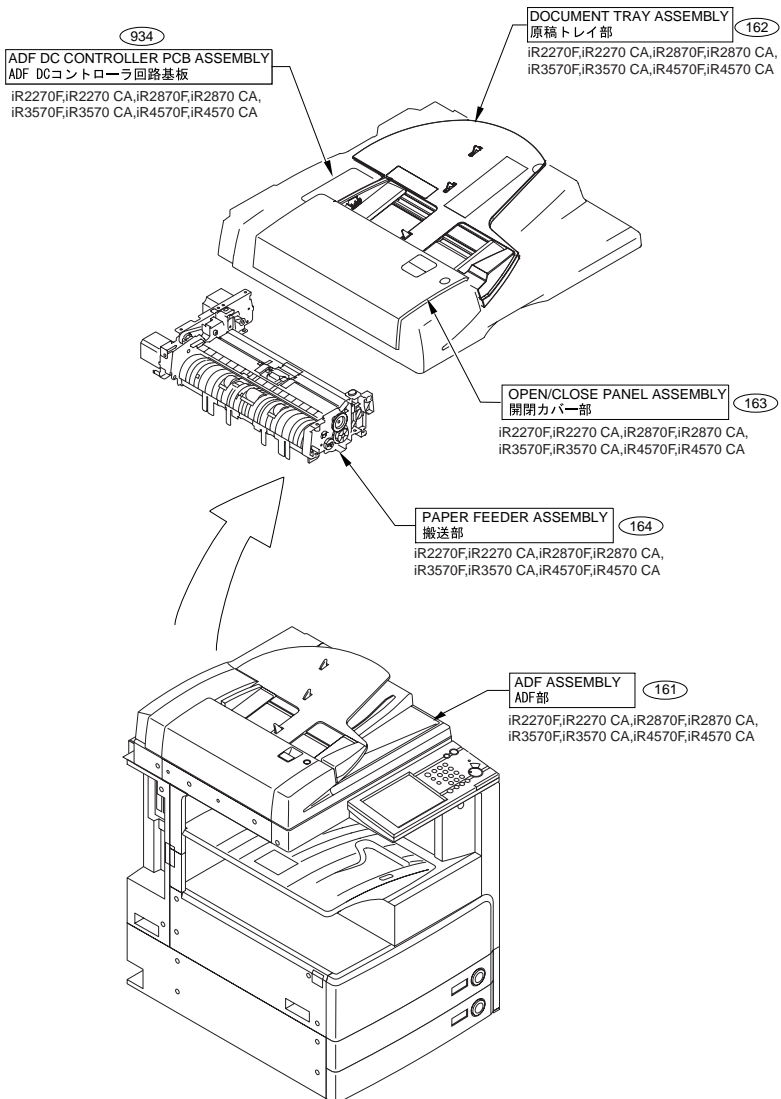
# FIGURE A ASSEMBLY LOCATION DIAGRAM

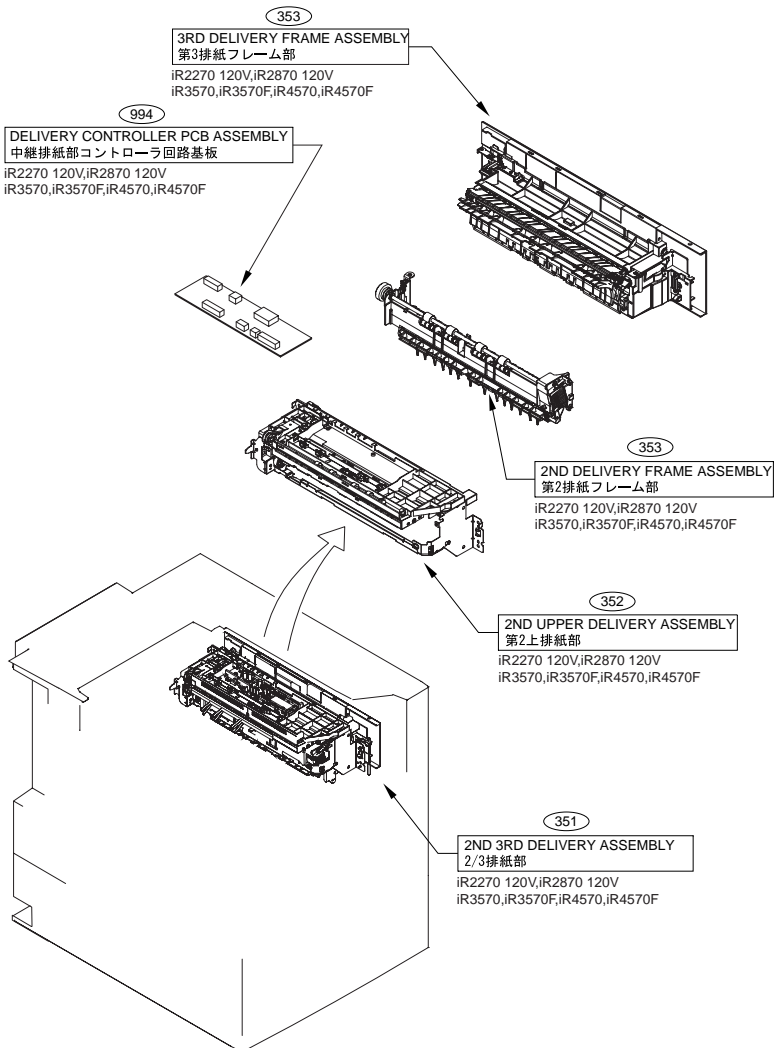




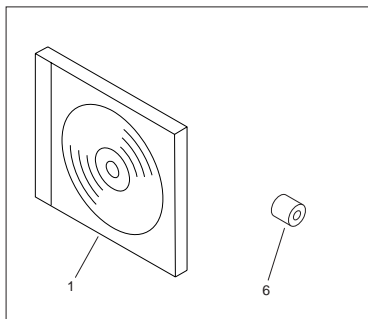




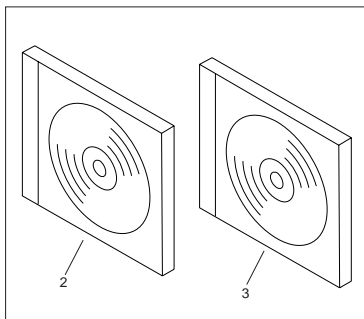




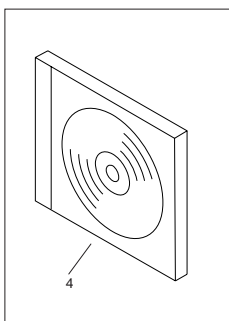
# FIGURE 001 ACCESSORIES



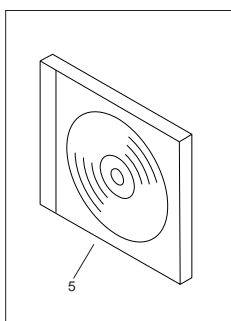
iR2270 100V,iR2270F,iR2870 100V,iR2870F  
iR4570 100V,iR4570F,iR3570 100V,iR3570F



iR2270F,iR2870F,iR4570F,iR3570F



iR2270,iR2270F,iR2870F,iR4570,iR4570F,iR3570,iR3570F



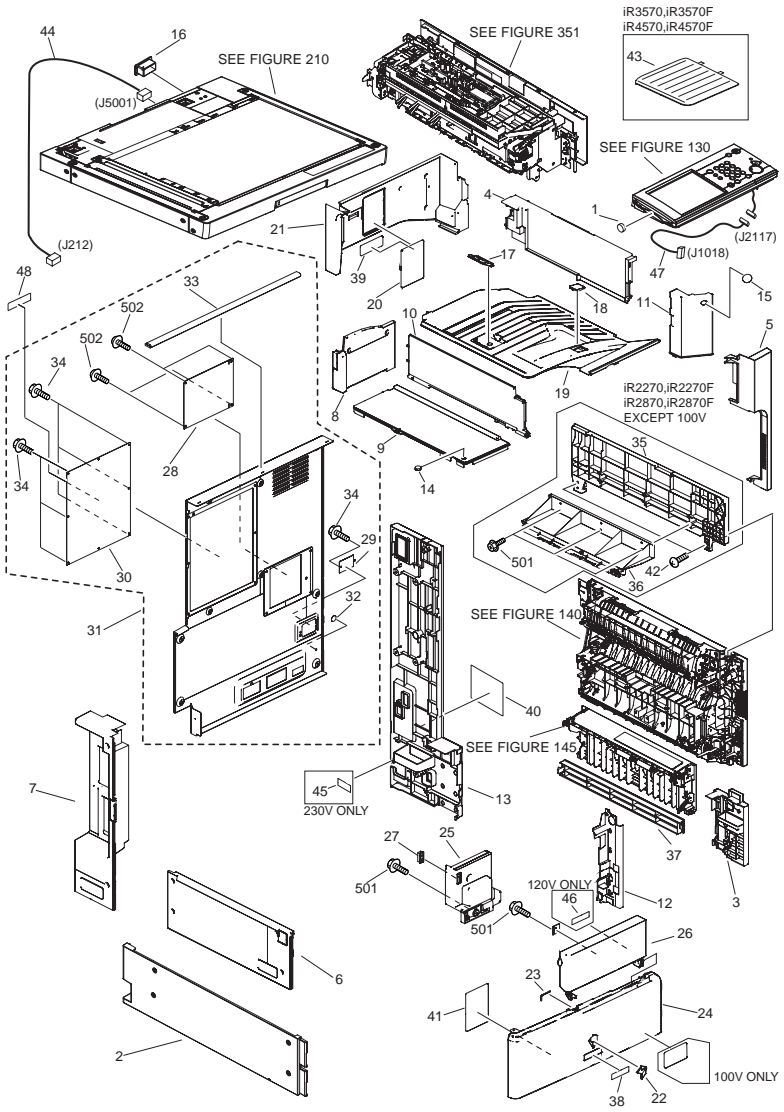
iR2270,iR2870,iR4570,iR3570

| FIGURE & KEY NO. | PARTS NUMBER | RANK | Q'TY | DESCRIPTION          | SERIAL NUMBER/REMARKS   | SVC |
|------------------|--------------|------|------|----------------------|---|-----|
| Fig.001          | NPN          |      | RF   | ACCESSORIES          |   |     |
| 1                | FK2-0920-000 |      | 1    | MEAP SOFTWARE CD-ROM | iR2270<br>100V&iR2270F&iR2870<br>100V&iR2870F&iR4570<br>100V&iR4570F&iR3570<br>100V&iR3570F |     |
| 2                | FK2-0643-000 |      | 1    | BDL SOFTWARE CD-ROM  | iR2270F&iR2870F&iR4570F&iR3570F   |     |
| 2                | FK2-0921-000 |      | 1    | BDL SOFTWARE CD-ROM  | iR2270F&iR2870F&iR4570F&iR3570F   |     |
| 3                | FK2-0923-000 |      | 1    | FAX SOFTWARE CD-ROM  | iR2270F&iR2870F&iR4570F&iR3570F   |     |
| 3                | FK2-0646-000 |      | 1    | FAX SOFTWARE CD-ROM  | iR2270F&iR2870F&iR4570F&iR3570F   |     |
| 4                | FK2-0695-000 |      | 1    | MEAP SOFTWARE CD-ROM | iR2270&iR2270F&iR2870F&iR4570&iR4570F&iR3570&iR3570F  |     |
| 5                | FK2-0930-000 |      | 1    | MEAP SOFTWARE CD-ROM | iR2270&iR2870&iR4570&iR3570   |     |
| 5                | FK2-0696-000 |      | 1    | MEAP SOFTWARE CD-ROM | iR2270&iR2870&iR4570&iR3570   |     |
| 6                | WE8-5689-000 |      | 1    | CORE, FERRITE        | iR2270&iR2270F&iR2870&iR2870F&iR4570&iR4570F&iR3570F  |     |



# FIGURE 100

## EXTERNAL COVERS, PANELS, ETC.



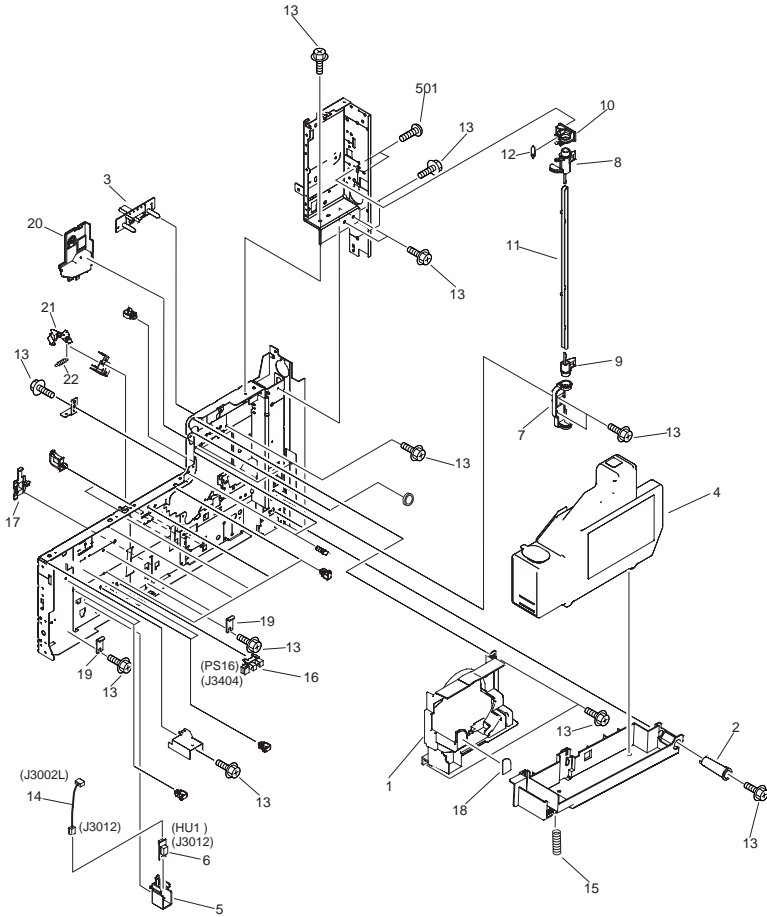
| FIGURE & KEY NO. | PARTS NUMBER | R<br>A<br>N<br>K | Q'TY | DESCRIPTION                    | SERIAL NUMBER/<br>REMARKS | S<br>V<br>C |
|------------------|--------------|------------------|------|--------------------------------|---------------------------|-------------|
| Fig.100          | NPN          |                  | RF   | EXTERNAL COVERS, PANELS, ETC.  |                           |             |
| 1                | FA9-3988-000 |                  | 1    | RUBBER, COVER                  |                           |             |
| 2                | FC5-0576-000 |                  | 1    | PANEL, LEFT                    |                           |             |
| 3                | FC5-0953-000 |                  | 1    | PANEL, RIGHT, FRONT LOWER      |                           |             |
| 4                | FC5-0956-000 |                  | 1    | PANEL, INNER, RIGHT MIDDLE     |                           |             |
| 5                | FC5-1101-000 |                  | 1    | PANEL, RIGHT, FRONT            |                           |             |
| 6                | FC5-1103-000 |                  | 1    | PANEL, LEFT, MIDDLE            |                           |             |
| 7                | FC5-1104-000 |                  | 1    | PANEL, LEFT, REAR              |                           |             |
| 8                | FC5-1106-000 |                  | 1    | PANEL, INNER, REAR LOWER       |                           |             |
| 9                | FC5-1108-000 |                  | 1    | PANEL, INNER, LEFT LOWER       |                           |             |
| 10               | FC5-1109-000 |                  | 1    | PANEL, INNER, MIDDLE           |                           |             |
| 11               | FC5-1117-000 |                  | 1    | PANEL, INNER, RIGHT            |                           |             |
| 12               | FC5-1277-000 |                  | 1    | PANEL, INNER, RIGHT            |                           |             |
| 13               | FC5-1278-000 |                  | 1    | PANEL, RIGHT, REAR             |                           |             |
| 14               | FC5-1282-000 |                  | 1    | RUBBER, COVER                  |                           |             |
| 15               | FC5-6540-000 |                  | 1    | COVER, SCREW                   |                           |             |
| 16               | FH2-6552-000 |                  | 1    | COVER, CONNECTOR               |                           |             |
| 17               | FC5-0812-000 |                  | 1    | STOPPER, PUSHING               |                           |             |
| 18               | FC5-0957-000 |                  | 1    | CAP, INTERNAL PAPER DELIVERY   |                           |             |
| 19               | FC5-1114-000 |                  | 1    | COVER, INTERNAL PAPER DELIVERY |                           |             |
| 20               | FC5-0889-000 |                  | 1    | COVER, BLANKING                |                           |             |
| 21               | FC5-0942-000 |                  | 1    | PANEL, INNER, REAR             |                           |             |
| 22               | FC5-1280-000 |                  | 1    | EMBLEM                         |                           |             |
| 23               | FB3-2224-000 |                  | 1    | PIN, HINGE                     |                           |             |
| 24               | FC5-1100-000 |                  | 1    | COVER, FRONT                   |                           |             |
| 25               | FC5-1115-000 |                  | 1    | COVER, FRONT, SMALL            |                           |             |
| 26               | FL2-0315-000 |                  | 1    | DOOR, SUPPLY                   |                           |             |
| 27               | XZ9-0582-000 |                  | 1    | CATCH, MAGNET                  |                           |             |
| 28               | FC5-1094-000 |                  | 1    | LID, ASSIST                    |                           |             |
| 29               | FC5-1111-000 |                  | 1    | COVER, OUTLET                  |                           |             |
| 30               | FC5-1152-000 |                  | 1    | PANEL, CONTROLLER BOX          |                           |             |
| 31               | FL2-0237-000 |                  | 1    | COVER, REAR                    |                           |             |

| FIGURE & KEY NO. | PARTS NUMBER | R<br>A<br>N<br>K | Q'TY | DESCRIPTION                 | SERIAL NUMBER/<br>REMARKS   | S<br>V<br>C |
|------------------|--------------|------------------|------|-----------------------------|---|-------------|
| 32               | FC5-0166-000 |                  | 1    | SEAL, BLANKING              |   |             |
| 33               | FC5-1093-000 |                  | 1    | SEAL                        |   |             |
| 34               | XA9-1386-000 |                  | 4    | SCREW, RS, M3X8             |   |             |
| 35               | FC5-0803-000 |                  | 1    | PANEL, RIGHT UPPER          | iR2270&iR2270F&iR2870<br>&iR2870F EXCEPT 100V                       |             |
| 36               | FC5-0807-000 |                  | 1    | GUIDE, 1ST DELIVERY FIXING  | iR2270&iR2270F&iR2870<br>&iR2870F EXCEPT 100V                       |             |
| 37               | FC5-0954-000 |                  | 1    | PANEL, RIGHT, LOWER         |   |             |
| 38               | FC6-4832-000 |                  | 1    | PLATE, NAME                 | iR2270  |             |
| 38               | FC6-4834-000 |                  | 1    | PLATE, NAME                 | iR2270  |             |
| 38               | FC6-4833-000 |                  | 1    | PLATE, NAME                 | iR2270F   |             |
| 38               | FC6-4837-000 |                  | 1    | PLATE, NAME                 | iR2870  |             |
| 38               | FC6-4839-000 |                  | 1    | PLATE, NAME                 | iR2870  |             |
| 38               | FC6-4838-000 |                  | 1    | PLATE, NAME                 | iR2870F   |             |
| 38               | FC5-7210-000 |                  | 1    | PLATE, NAME                 | iR3570  |             |
| 38               | FC5-7212-000 |                  | 1    | PLATE, NAME                 | iR3570  |             |
| 38               | FC5-7211-000 |                  | 1    | PLATE, NAME                 | iR3570F   |             |
| 38               | FC5-7213-000 |                  | 1    | PLATE, NAME                 | iR4570  |             |
| 38               | FC5-7215-000 |                  | 1    | PLATE, NAME                 | iR4570  |             |
| 38               | FC5-7214-000 |                  | 1    | PLATE, NAME                 | iR4570F   |             |
| 39               | FL2-0352-000 |                  | 1    | SHEET, PETAINING            |   |             |
| 40               | FC6-5076-000 |                  | 1    | LABEL, SHUT, DOWN B         | iR2270&iR2270F&iR2870<br>&iR2870F&iR3570&iR3570F<br>&iR4570&iR4570F |             |
| 40               | FC6-5075-000 |                  | 1    | LABEL, SHUT, DOWN A         | iR2270&iR2870&iR3570&iR4570   |             |
| 41               | FC6-5067-000 |                  | 1    | LABEL, TONER BOTTLE CAUTION |   |             |
| 42               | XA9-0605-000 |                  | 2    | SCREW, M4X8                 | iR2270&iR2270F&iR2870<br>&iR2870F EXCEPT 100V                       |             |
| 43               | FC5-0860-000 |                  | 1    | GUIDE, REVERSE BACK END     | iR3570&iR3570F&iR4570<br>&iR4570F                                   |             |
| 44               | FM2-2856-000 |                  | 1    | CABLE, READER AC            | J212,5001   |             |
| 45               | FU5-8021-000 |                  | 1    | LABEL, GROUNDING CAUTION    | 230V ONLY   |             |
| 46               | FS6-8992-000 |                  | 1    | LABEL, GENUINE              | 120V ONLY   |             |
| 47               | FM2-2859-000 |                  | 1    | CABLE, CONTROL PANEL        |   |             |

| FIGURE<br>& KEY<br>NO. | PARTS<br>NUMBER | R<br>A<br>N<br>K | Q'TY | DESCRIPTION    | SERIAL NUMBER/<br>REMARKS | S<br>V<br>C |
|------------------------|-----------------|------------------|------|----------------|---------------------------|-------------|
| 48                     | FS7-8143-020    |                  | 1    | LABEL, COUNTER |                           |             |
| 501                    | XB4-5401-007    |                  | 5    | SCREW, M4X10   |                           |             |
| 502                    | XB1-2400-807    |                  | 4    | SCREW, M4X8    |                           |             |

# FIGURE 101

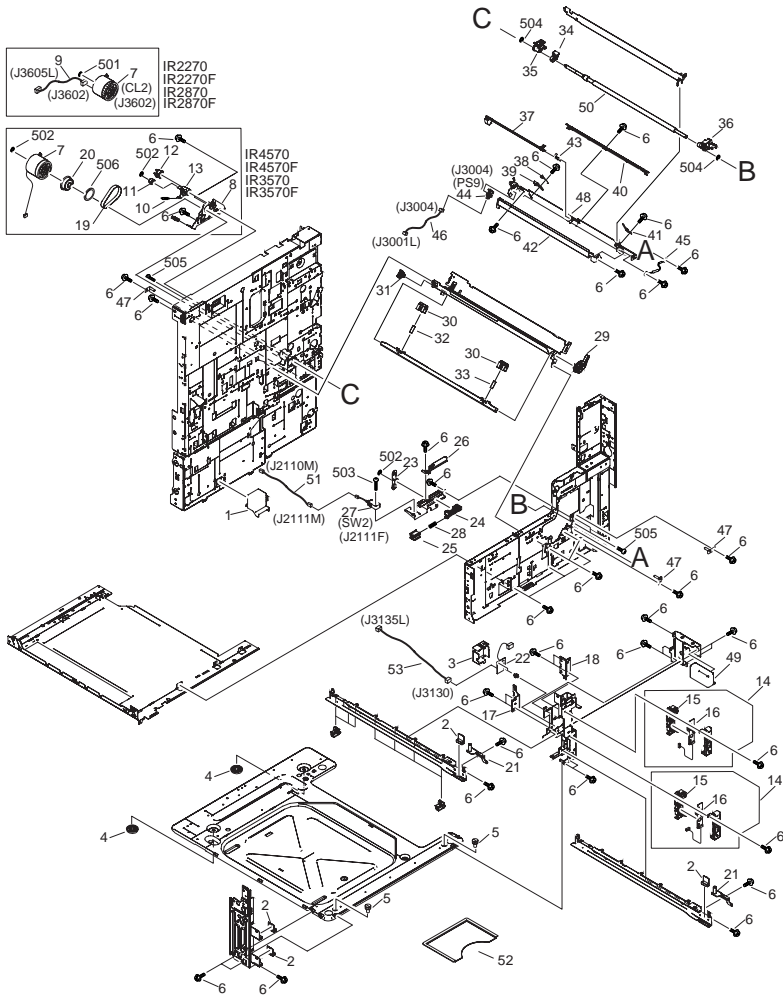
## MACHINE FRONT PLATE



| FIGURE & KEY NO. | PARTS NUMBER | R<br>A<br>N<br>K | Q'TY | DESCRIPTION                    | SERIAL NUMBER/<br>REMARKS | S<br>V<br>C |
|------------------|--------------|------------------|------|--------------------------------|---------------------------|-------------|
| Fig.101          | NPN          |                  | RF   | MACHINE FRONT PLATE            |                           |             |
| 1                | FC5-1113-000 |                  | 1    | PANEL,INNER                    |                           |             |
| 2                | FC5-1413-000 |                  | 1    | PIN STAY                       |                           |             |
| 3                | FL2-0267-000 |                  | 1    | PIN, POSITIONING               |                           |             |
| 4                | FM2-0303-000 |                  | 1    | BOX, WASTE TONER               |                           |             |
| 5                | FC5-1307-000 |                  | 1    | MOUNT, ENVIRONMENT SENSOR      |                           |             |
| 6                | FK2-0160-000 |                  | 1    | ENVIRONMENTAL SENSOR UNIT      | HUI J3012                 |             |
| 7                | FC5-0673-000 |                  | 1    | SUPPORT, HOOK POSITIONING      |                           |             |
| 8                | FC5-0686-000 |                  | 1    | HOOK, RIGHT DOOR, UPPER        |                           |             |
| 9                | FC5-0687-000 |                  | 2    | HOOK, RIGHT DOOR, LOWER        |                           |             |
| 10               | FC5-0688-000 |                  | 1    | BUSHING                        |                           |             |
| 11               | FC5-0689-000 |                  | 1    | SHAFT, HOOK                    |                           |             |
| 12               | FU5-2064-000 |                  | 1    | SPRING, TENSION                |                           |             |
| 13               | XA9-1386-000 |                  | 19   | SCREW, RS, M3X8                |                           |             |
| 14               | FM2-2862-000 |                  | 1    | CABLE, ENVIRONMENT HEATER      | J3002L,3012               |             |
| 15               | FU5-2096-000 |                  | 1    | SPRING                         |                           |             |
| 16               | FK2-0149-000 |                  | 1    | PHOTO-INTERRUPTRE, TLP1253(C6) | PS16 J3404                |             |
| 17               | FC5-1535-000 |                  | 1    | GUIDE, WIRE                    |                           |             |
| 18               | FC6-2918-000 |                  | 1    | LABEL, LOCK UNLOCK             |                           |             |
| 19               | FL2-0203-000 |                  | 2    | PIN, POSITIONING               |                           |             |
| 20               | FC5-1118-000 |                  | 1    | COVER, RIGHT IN, SMALL         |                           |             |
| 21               | FC6-4824-000 |                  | 1    | STOPPER, BOX                   |                           |             |
| 22               | FU6-2016-000 |                  | 1    | SPRING, STOPPER                |                           |             |
| 501              | XB4-5400-807 |                  | 2    | SCREW, P, M4X8                 |                           |             |

# FIGURE 102

## INTERNAL COMPONENTS 1



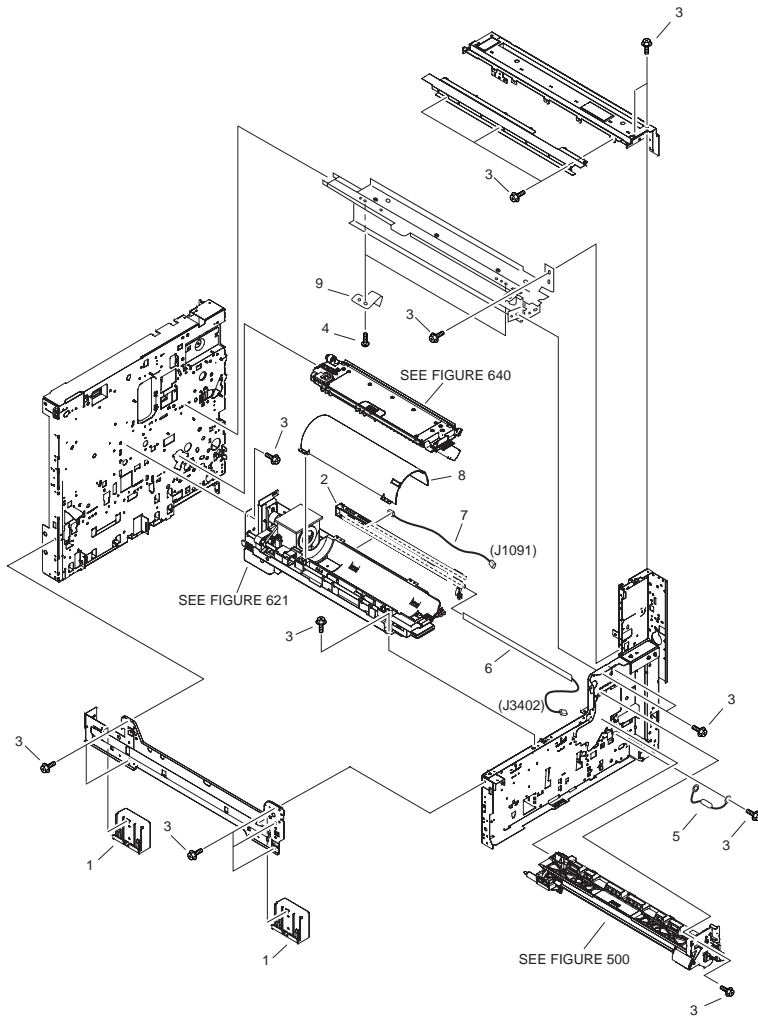
| FIGURE & KEY NO. | PARTS NUMBER | R<br>A<br>N<br>K | Q'TY | DESCRIPTION                   | SERIAL NUMBER/<br>REMARKS                     | S<br>V<br>C |
|------------------|--------------|------------------|------|-------------------------------|---|-------------|
| Fig.102          | NPN          |                  | RF   | INTERNAL COMPONENTS 1         |   |             |
| 1                | FB3-3192-020 |                  | 1    | COVER, HEATER CONNECTOR       |   |             |
| 2                | FB6-3507-000 |                  | 4    | BLOCK, SWING                  |   |             |
| 3                | FC5-0641-000 |                  | 1    | COVER, PCB                    |   |             |
| 4                | XH9-0125-000 |                  | 2    | FOOT                          |   |             |
| 5                | XA9-1468-000 |                  | 2    | SCREW, KNURLED, M6X10         |   |             |
| 6                | XA9-1386-000 |                  | 40   | SCREW,RS,M3X8                 |   |             |
| 7                | FH6-5075-000 |                  | 1    | CLUTCH, ELECTROMAGNETIC       | iR2270&iR2270F&iR2870<br>&iR2870F CL2 J3602   |             |
| 7                | FK2-0361-000 |                  | 1    | CLUTCH,ELECTROMAGNETIC        | IR4570&iR4570F&iR3570<br>&iR3570F             |             |
| 8                | FL2-1517-000 |                  | 1    | SUPPORT, REGIST. CLUTCH       | iR4570&iR4570F&iR3570<br>&iR3570F             |             |
| 9                | FM2-2851-000 |                  | 1    | CABLE, REGISTRATION CLUTCH    | iR2270&iR2270F&iR2870<br>&iR2870F J3602,3605L |             |
| 10               | FU5-2652-000 |                  | 1    | SPRING                        | iR4570&iR4570F&iR3570<br>&iR3570F             |             |
| 11               | FU5-3178-000 |                  | 1    | PULLEY, 20T                   | IR4570&iR4570F&iR3570<br>&iR3570F             |             |
| 12               | FU5-3179-000 |                  | 1    | PULLEY, 28T                   | iR4570&iR4570F&iR3570<br>&iR3570F             |             |
| 13               | FL2-1518-000 |                  | 1    | SUPPORT, REGIST. TENSION      | iR4570&iR4570F&iR3570<br>&iR3570F             |             |
| 14               | FM2-0389-000 |                  | 2    | CASSETTE SIZE DETECT ASSEMBLY |   |             |
| 15               | FC5-1420-000 |                  | 2    | HOLDER, SIZE DETECT           |   |             |
| 16               | FM2-2770-000 |                  | 2    | SIZE SENSOR PCB ASSEMBLY      |   |             |
| 17               | FC5-0567-000 |                  | 1    | PLATE, PICK-UP ASSY MOUNT, U  |   |             |
| 18               | FC5-0568-000 |                  | 1    | PLATE, PICK-UP ASSY MOUNT, L  |   |             |
| 19               | XF2-1608-860 |                  | 1    | BELT, TIMING                  | iR4570&iR4570F&iR3570<br>&iR3570F             |             |
| 20               | FU5-3180-000 |                  | 1    | PULLEY,36T                    | IR4570&iR4570F&iR3570<br>&iR3570F             |             |
| 21               | FL2-0116-000 |                  | 2    | PIN, SIDE REGIST. POSITIONING |   |             |
| 22               | FM2-2771-000 |                  | 1    | SIZE DETECT CONNECT PCB ASS'Y |   |             |
| 23               | FC5-1539-000 |                  | 1    | PLATE, ACTUATOR               |   |             |
| 24               | FC5-1540-000 |                  | 1    | SLIDER                        |   |             |
| 25               | FC5-1541-000 |                  | 1    | BLOCK, SWITCH PRESSURE        |   |             |



| FIGURE & KEY NO. | PARTS NUMBER | R<br>A<br>N<br>K | Q'TY | DESCRIPTION                    | SERIAL NUMBER/<br>REMARKS | S<br>V<br>C |
|------------------|--------------|------------------|------|--------------------------------|---------------------------|-------------|
| 26               | FC5-1545-000 |                  | 1    | GUIDE, ACTUATOR                |                           |             |
| 27               | FK2-0384-000 |                  | 1    | SWITCH, MICRO                  | SW2 J2111F                |             |
| 28               | FU6-2009-000 |                  | 1    | SPRING, LEAF                   |                           |             |
| 29               | FC5-1243-000 |                  | 1    | HANDLE, PRESSURE               |                           |             |
| 30               | FC5-1262-000 |                  | 2    | CAM, DEVELOPING PRESSURE       |                           |             |
| 31               | FU5-1030-000 |                  | 1    | BUSHING                        |                           |             |
| 32               | FU5-2090-000 |                  | 1    | SPRING                         |                           |             |
| 33               | FU6-2011-000 |                  | 1    | SPRING                         |                           |             |
| 34               | FC5-1562-000 |                  | 1    | HOLDER, TRANSFER GUIDE, UPPER  |                           |             |
| 35               | FU5-1029-000 |                  | 1    | BUSHING                        |                           |             |
| 36               | FU5-1028-000 |                  | 1    | BUSHING                        |                           |             |
| 37               | FC5-0484-000 |                  | 1    | FLAG, PRE-REGISTRATION SENSOR  |                           |             |
| 38               | FC5-0539-000 |                  | 1    | SPRING, GROUNDING              |                           |             |
| 39               | FC5-0540-000 |                  | 1    | HOLDER, GROUNDING SPRING       |                           |             |
| 40               | FC5-0547-000 |                  | 1    | GUIDE, PRE-REGISTRATION PAPER  |                           |             |
| 41               | FC5-1564-000 |                  | 1    | SPRING, LEAF                   |                           |             |
| 42               | FL2-0245-000 |                  | 1    | SHEET, PAPER DUST RELEASE      |                           |             |
| 43               | FU5-2035-000 |                  | 1    | SPRING, TORSION                |                           |             |
| 44               | FK2-0149-000 |                  | 1    | PHOTO-INTERRUPTER, TLP1253(C6) | PS9 J3004                 |             |
| 45               | FL2-3265-000 |                  | 1    | H.V. RESISTOR UNIT             |                           |             |
| 46               | FM2-2858-000 |                  | 1    | CABLE, PRE-REGISTRATION SENSOR | J3004,3001L               |             |
| 47               | FC5-6578-000 |                  | 3    | PIN, POSITIONING               |                           |             |
| 48               | FL2-0330-000 |                  | 1    | GUIDE, PRE-REGIST. MAIN BODY   |                           |             |
| 49               | FC5-0958-000 |                  | 1    | GRIP, RIGHT FRONT              |                           |             |
| 50               | FL2-0314-000 |                  | 1    | ROLLER, REGISTRATION HARD      |                           |             |
| 51               | FM2-2845-000 |                  | 1    | CABLE, I.L. SWITCH CONNECT     | J2110M,2111M              |             |
| 52               | FC5-1146-000 |                  | 1    | HOLDER, SERVICE BOOK           |                           |             |
| 53               | FM2-2853-000 |                  | 1    | CABLE,CST. SIZE DETECT CONNECT | J3130,3135L               |             |
| 501              | XD2-1100-402 |                  | 1    | RETAINING RING (E-TYPE)        |                           |             |
| 502              | XD2-1100-502 |                  | 3    | RETAINING RING (E-TYPE)        |                           |             |
| 503              | XB1-2301-407 |                  | 1    | SCREW, MACH.,TRUS HEAD, M3X14  |                           |             |
| 504              | XD2-1100-642 |                  | 2    | RING,E                         |                           |             |

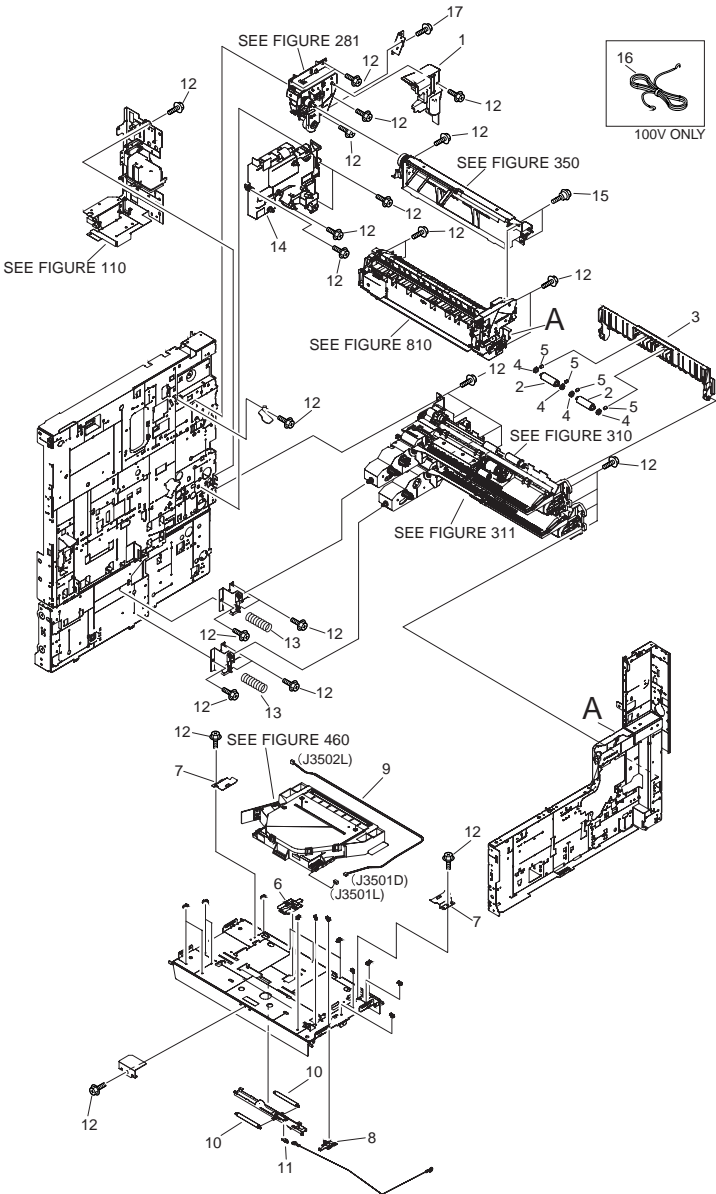
| FIGURE<br>& KEY<br>NO. | PARTS<br>NUMBER | R<br>A<br>N<br>K | Q'TY | DESCRIPTION  | SERIAL NUMBER/<br>REMARKS | S<br>V<br>C |
|------------------------|-----------------|------------------|------|--------------|---------------------------|-------------|
| 505                    | XB4-5400-807    |                  | 4    | SCREW,P,M4X8 |                           |             |
| 506                    | XD1-1108-215    |                  | 1    | WASHER,COP   |                           |             |

# FIGURE 103 INTERNAL COMPONENTS 2



| FIGURE & KEY NO. | PARTS NUMBER | RANK | Q'TY | DESCRIPTION             | SERIAL NUMBER/REMARKS | SVC |
|------------------|--------------|------|------|-------------------------|-----------------------|-----|
| Fig.103          | NPN          |      | RF   | INTERNAL COMPONENTS 2   |                       |     |
| 1                | FC5-0959-000 |      | 2    | GRIP, LEFT              |                       |     |
| 2                | FC5-1407-000 |      | 1    | HOLDER, PRECONDITIONING |                       |     |
| 3                | XA9-1386-000 |      | 8    | SCREW,RS,M3X8           |                       |     |
| 4                | XB1-2300-407 |      | 2    | SCREW, BH3X4 (S)        |                       |     |
| 5                | FF3-4529-000 |      | 1    | CABLE, VARISTOR         |                       |     |
| 6                | FK2-0368-000 |      | 1    | LED ARRAY               | J3402                 |     |
| 7                | FM2-2776-000 |      | 1    | BOARD, DRUM THERMISTOR  | J1091                 |     |
| 8                | FC6-4820-000 |      | 1    | COVER, BOTTLE           |                       |     |
| 9                | FC6-4624-000 |      | 2    | SPRING,LEAF             |                       |     |

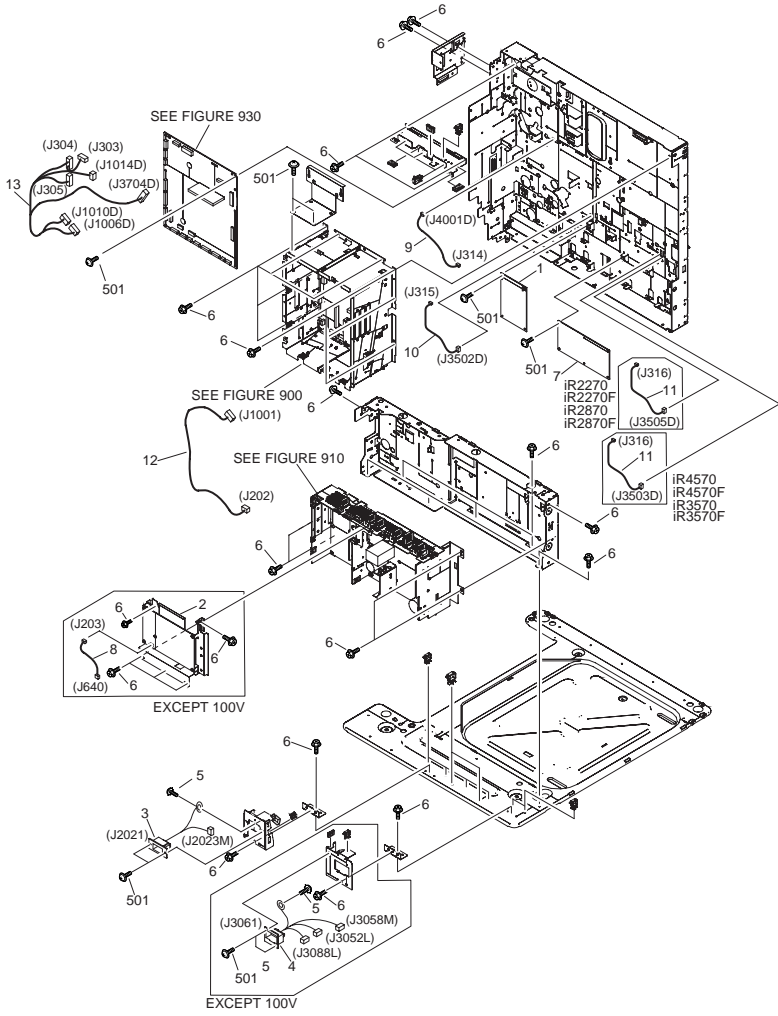
# FIGURE 104 INTERNAL COMPONENTS 3



| FIGURE & KEY NO. | PARTS NUMBER | RANK | Q'TY | DESCRIPTION                  | SERIAL NUMBER/REMARKS | SVC |
|------------------|--------------|------|------|------------------------------|-----------------------|-----|
| Fig.104          | NPN          |      | RF   | INTERNAL COMPONENTS 3        |                       |     |
| 1                | FC5-1130-000 |      | 1    | COVER, FIXING CONNECTOR      |                       |     |
| 2                | FB6-3313-000 |      | 2    | ROLLER, PAPER FEED           |                       |     |
| 3                | FC5-0596-000 |      | 1    | DOOR, RIGHT LOWER INNER      |                       |     |
| 4                | FS5-1595-000 |      | 4    | BUSHING, VERTICAL ROLLER     |                       |     |
| 5                | FS7-2788-000 |      | 4    | SPRING, COMPRESSION          |                       |     |
| 6                | FC5-0191-000 |      | 1    | GUIDE, POSITIONING           |                       |     |
| 7                | FC5-0195-000 |      | 2    | SPRING, LEAF                 |                       |     |
| 8                | FC5-1535-000 |      | 1    | GUIDE, WIRE                  |                       |     |
| 9                | FM2-2831-000 |      | 1    | CABLE, BEAM DETECTOR DOCKING | J3501D,3502L          |     |
| 10               | FU5-2038-000 |      | 2    | SPRING, TORSION              |                       |     |
| 11               | FU5-2653-000 |      | 1    | SPRING                       |                       |     |
| 12               | XA9-1386-000 |      | 33   | SCREW, RS, M3X8              |                       |     |
| 13               | FU5-2066-000 |      | 2    | SPRING, COMPRESSION          |                       |     |
| 14               | FM2-0261-000 |      | 1    | H.V. TRANSFER PCB ASSEMBLY   |                       |     |
| 15               | FS5-9664-000 |      | 2    | SCREW,RS STEPPED,M3          |                       |     |
| 16               | FH2-7061-000 |      | 1    | CORD, GROUNDING              | 100V ONLY             |     |
| 17               | XA9-1164-000 |      | 1    | SCREW, RS, M3X6.5            |                       |     |

# FIGURE 105

## MACHINE REAR PLATE 1



| FIGURE & KEY NO. | PARTS NUMBER | R<br>A<br>N<br>K | Q'TY | DESCRIPTION                  | SERIAL NUMBER/<br>REMARKS                    | S<br>V<br>C |
|------------------|--------------|------------------|------|------------------------------|--|-------------|
| Fig.105          | NPN          |                  | RF   | MACHINE REAR PLATE 1         |  |             |
| 1                | FK2-0340-000 |                  | 1    | ALL DAY POWER PCB ASSEMBLY   | 100V&120V                                    |             |
| 1                | FK2-0341-000 |                  | 1    | ALL DAY POWER PCB ASSEMBLY   | 230V   |             |
| 2                | FK2-0338-000 |                  | 1    | ACC POWER SUPPLY UNIT        | 120V   |             |
| 2                | FK2-0339-000 |                  | 1    | ACC POWER SUPPLY UNIT        | 230V   |             |
| 3                | FG3-3178-020 |                  | 1    | CABLE, LATTICE               | J2021,2023M                                  |             |
| 4                | FM2-2843-000 |                  | 1    | CABLE, FINISHER LATTICE      | EXCEPT 100V<br>J3061,3052L,3088L,3058<br>M   |             |
| 5                | XA9-0265-000 |                  | 2    | SCREW, W/TOOTHED WASHER, (S) |  |             |
| 6                | XA9-1386-000 |                  | 33   | SCREW,RS,M3X8                |  |             |
| 7                | FM2-2764-000 |                  | 1    | PS CONTROLLER ASSEMBLY       |  |             |
| 8                | FM2-2824-000 |                  | 1    | CABLE,ACCESSORY POWER SUPPLY | EXCEPT 100V J203,640                         |             |
| 9                | FM2-2819-000 |                  | 1    | CABLE, HIGH VOLTAGE CONNECT  | J314,4001D                                   |             |
| 10               | FM2-2820-000 |                  | 1    | CABLE, BEAM DETECTOR DOCKING | J315,3502D                                   |             |
| 11               | FM2-2833-000 |                  | 1    | CABLE, POLYGON               | iR2270&iR2270F&iR2870<br>&iR2870F J316,3505D |             |
| 11               | FM2-2830-000 |                  | 1    | CABLE, POLYGON               | iR4570&iR4570F&iR3570<br>&iR3570F J316,3503D |             |
| 12               | FM2-2841-000 |                  | 1    | CABLE, FIXING AC             | iR2270&iR2270F&iR2870<br>&iR2870F            |             |
| 12               | FM2-2840-000 |                  | 1    | CABLE, FIXING AC             | iR4570&iR4570F&iR3570<br>&iR3570F J202,1001M |             |
| 13               | FM2-2815-000 |                  | 1    | CABLE, FIXING CONNECT        | J303,304,305,1006D,1010<br>D,1014D,3704D     |             |
| 501              | XB6-7300-607 |                  | AR   | SCREW, TP, M3X6              |  |             |

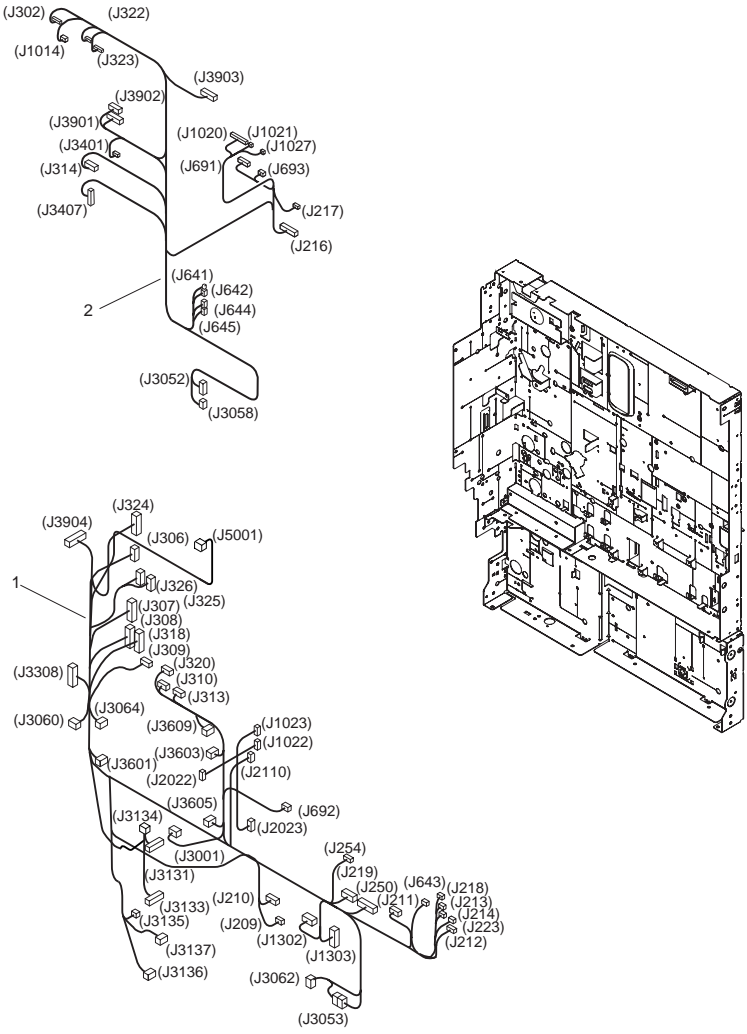




| FIGURE & KEY NO. | PARTS NUMBER | RANK | Q'TY | DESCRIPTION                  | SERIAL NUMBER/REMARKS            | SVC |
|------------------|--------------|------|------|------------------------------|----------------------------------|-----|
| Fig.106          | NPN          |      | RF   | MACHINE REAR PLATE 2         |                                  |     |
| 1                | FK2-0367-000 |      | 1    | MOTOR, DC                    | M3 J1009,1011                    |     |
| 2                | FC6-2904-000 |      | 0    | COVER, DC NETWORK BACK       |                                  |     |
| 3                | FM2-0339-000 |      | 1    | PAPER PICK-UP MOTOR UNIT     |                                  |     |
| 4                | FC5-1516-000 |      | 1    | PULLEY, 80T                  |                                  |     |
| 5                | FC5-1517-000 |      | 1    | PULLEY, 50T                  |                                  |     |
| 6                | FC5-1518-000 |      | 1    | COVER, PICK-UP MOTOR SUPPORT |                                  |     |
| 7                | FM2-0338-000 |      | 2    | MOTOR, DC                    | M6,7 J3136,3137                  |     |
| 8                | FU3-0285-000 |      | 1    | GEAR, 80T/16T                |                                  |     |
| 9                | XF2-1607-840 |      | 1    | BELT, TIMING                 |                                  |     |
| 10               | XF2-1609-040 |      | 1    | BELT,TIMING                  |                                  |     |
| 11               | XA9-1386-000 |      | 34   | SCREW,RS,M3X8                |                                  |     |
| 12               | FK2-0015-000 |      | 1    | MOTOR, DC24V                 | M5 J3401                         |     |
| 13               | FM2-2818-000 |      | 1    | CABLE, MOTOR                 | J311,313,319,1009,1011,3607,3608 |     |
| 14               | FL2-0203-000 |      | 2    | PIN, POSITIONING             |                                  |     |
| 501              | XB1-2300-607 |      | AR   | SCREW, BH3X6(S)              |                                  |     |
| 503              | XB6-7300-607 |      | AR   | SCREW, TP, M3X6              |                                  |     |

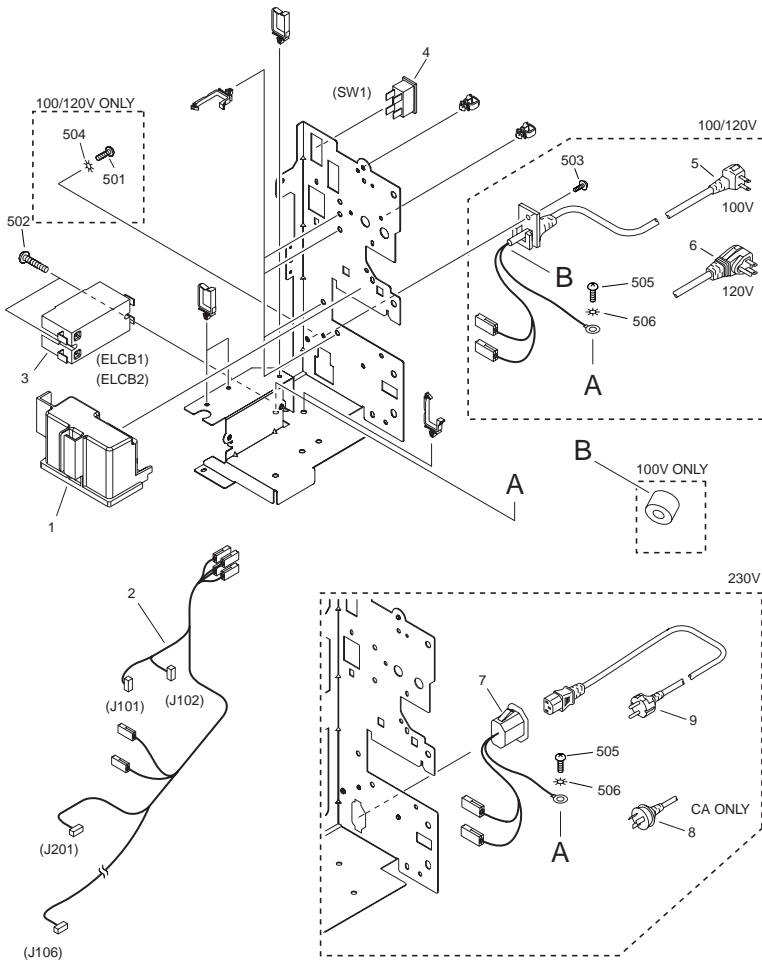
# FIGURE 107

## MACHINE REAR PLATE 3



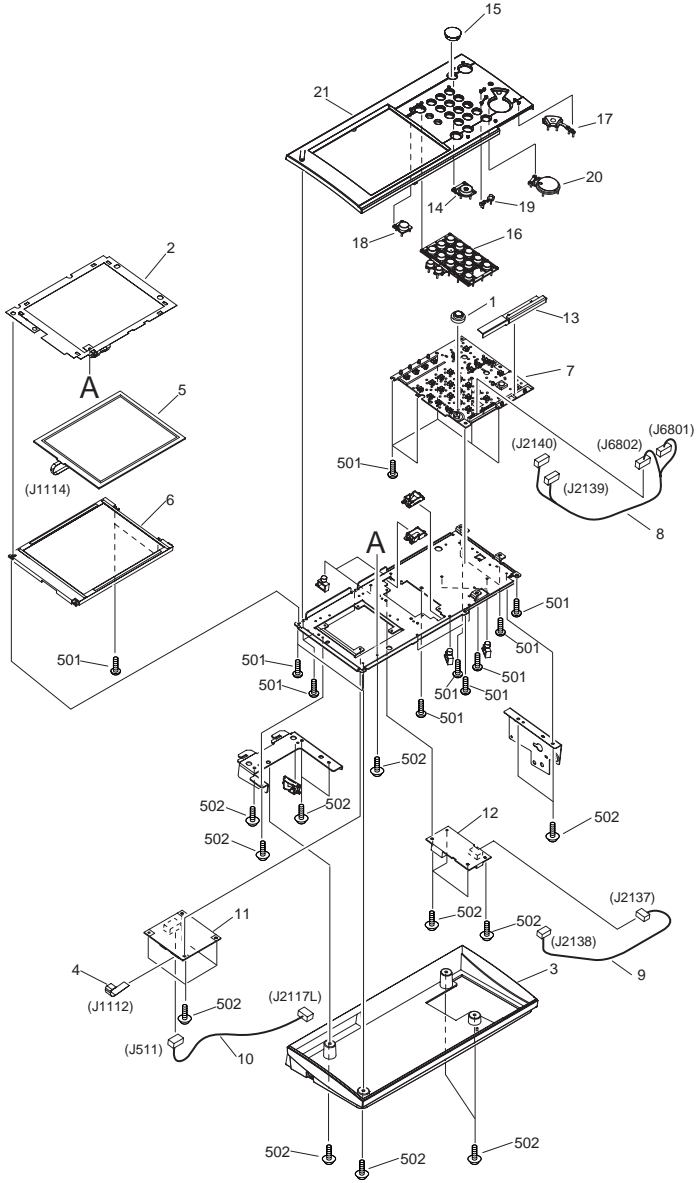
| FIGURE<br>& KEY<br>NO. | PARTS<br>NUMBER | R<br>A<br>N<br>K | Q'TY | DESCRIPTION          | SERIAL NUMBER/<br>REMARKS | S<br>V<br>C |
|------------------------|-----------------|------------------|------|----------------------|---------------------------|-------------|
| Fig.107                | NPN             |                  | RF   | MACHINE REAR PLATE 3 |                           |             |
| 1                      | FM2-2817-000    |                  | 1    | CABLE, MAIN          |                           |             |
| 2                      | FM2-2826-000    |                  | 1    | CABLE, CONTROLLER    |                           |             |

# FIGURE 110 POWER CORD TERMINAL ASSEMBLY



| FIGURE & KEY NO. | PARTS NUMBER | R<br>A<br>N<br>K | Q'TY | DESCRIPTION                  | SERIAL NUMBER/<br>REMARKS | S<br>V<br>C |
|------------------|--------------|------------------|------|------------------------------|---------------------------|-------------|
| Fig.110          | FM2-0384-000 |                  | 1    | POWER CORD TERMINAL ASSEMBLY | 100V                      |             |
| Fig.110          | FM2-0353-000 |                  | 1    | POWER CORD TERMINAL ASSEMBLY | 120V                      |             |
| Fig.110          | FM2-0354-000 |                  | 1    | POWER CORD TERMINAL ASSEMBLY | 230V                      |             |
| 1                | FC5-1168-000 |                  | 1    | HANDLE, RIGHT REAR           |                           |             |
| 2                | FM2-2868-000 |                  | 1    | CABLE,AC POWER SUPPLY        | J101,102,201,106          |             |
| 3                | FH7-7626-000 |                  | 1    | BREAKER,ELECTRIC LEAKAGE     | 100V&120V                 |             |
| 3                | FH7-7625-000 |                  | 1    | BREAKER,ELECTRIC LEAKAGE     | 230V                      |             |
| 4                | FK2-0140-000 |                  | 1    | SWITCH, TOGGLE               |                           |             |
| 5                | FL2-0982-000 |                  | 1    | CORD, POWER SUPPLY           | 100V                      |             |
| 6                | FF3-4526-000 |                  | 1    | CORD, POWER SUPPLY           | 120V                      |             |
| 7                | FF3-4527-000 |                  | 1    | CABLE, SOCKET                | 230V                      |             |
| 8                | FK2-0148-000 |                  | 1    | CORD, POWER SUPPLY           | 230V CA ONLY              |             |
| 9                | FK2-0146-000 |                  | 1    | CORD, POWER SUPPLY           | 230V                      |             |
| 501              | XB1-2400-603 |                  | 1    | SCREW, MACHINE M4X6 (COP)    | 100V&120V                 |             |
| 502              | XB1-2402-007 |                  | 2    | SCREW, BH4X20 (S)            |                           |             |
| 503              | XB6-7300-607 |                  | 1    | SCREW, TP, M3X6              | 100V&120V                 |             |
| 504              | XD1-4200-402 |                  | 1    | WASHER, TOOTHED LOCK, M4     | 100V&120V                 |             |
| 505              | XB1-2500-603 |                  | 1    | SCREW, MACHINE M5X6 (COP)    | 120V&230V                 |             |
| 506              | XD1-4200-502 |                  | 1    | WASHER, TOOTHED LOCK, M5     | 120V&230V                 |             |

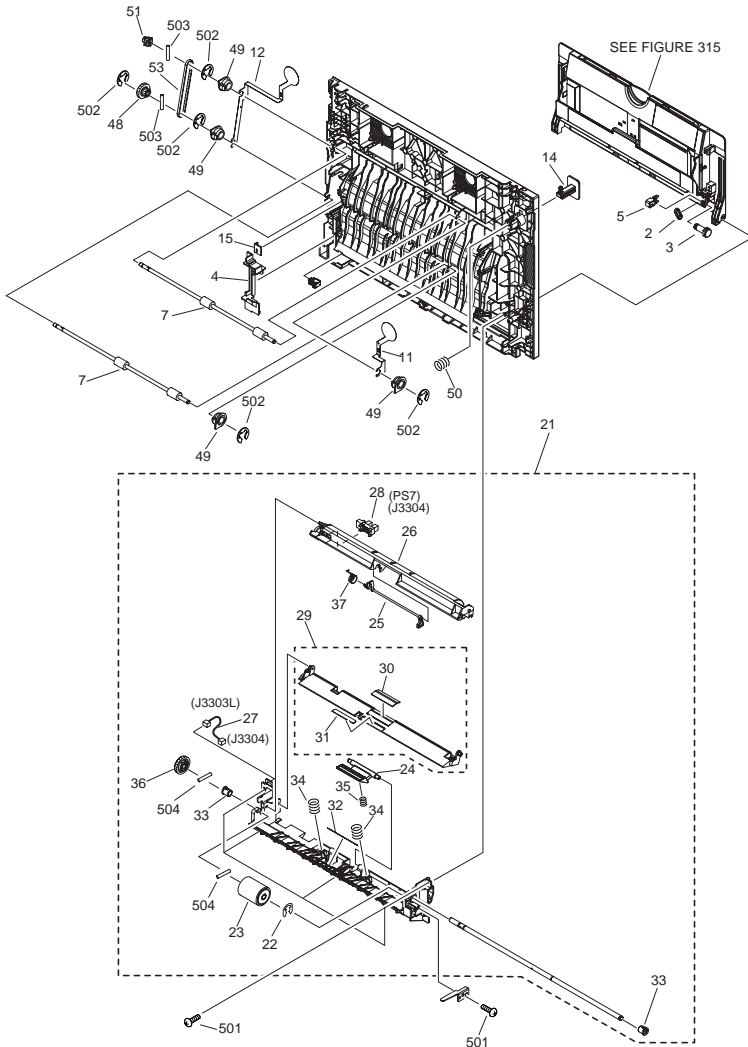
# FIGURE 130 CONTROL PANEL ASSEMBLY



| FIGURE & KEY NO. | PARTS NUMBER | R<br>A<br>N<br>K | Q'TY | DESCRIPTION                    | SERIAL NUMBER/<br>REMARKS | S<br>V<br>C |
|------------------|--------------|------------------|------|--------------------------------|---------------------------|-------------|
| Fig.130          | FM2-0360-000 |                  | 1    | CONTROL PANEL ASSEMBLY         | 100V                      |             |
| Fig.130          | FM2-0361-000 |                  | 1    | CONTROL PANEL ASSEMBLY         | 120V                      |             |
| Fig.130          | FM2-0362-000 |                  | 1    | CONTROL PANEL ASSEMBLY         | 230V                      |             |
| 1                | FC5-1067-000 |                  | 1    | KNOB, VOLUME                   |                           |             |
| 2                | FC5-4458-000 |                  | 2    | SHEET, LCD ELECTROSTATIC       |                           |             |
| 3                | FC5-1056-000 |                  | 1    | COVER, CONTROL PANEL, LOWER    |                           |             |
| 4                | FH2-7037-000 |                  | 1    | CABLE, FLAT                    | J1112                     |             |
| 5                | FK2-0246-000 |                  | 1    | ANALOG TOUCH PANEL UNIT        | J1114                     |             |
| 6                | FL2-1092-000 |                  | 1    | LCD CONTROL PANEL UNIT         |                           |             |
| 7                | FG3-2834-000 |                  | 1    | PANEL SWITCH PCB ASSEMBLY      |                           |             |
| 8                | FG3-2835-000 |                  | 1    | CABLE, SWITCH                  | J2139,2140,6801,6802      |             |
| 9                | FG3-2836-000 |                  | 1    | CABLE, PANEL INVERTER          | J2137,2138                |             |
| 10               | FM2-2758-000 |                  | 1    | CABLE, CONTROL PANEL CONNECT   | J511,2117L                |             |
| 11               | FG3-3965-000 |                  | 1    | CONTROL PANEL CPU PCB ASSEMBLY |                           |             |
| 12               | FG6-8939-000 |                  | 1    | C. PANEL INVERTER PCB ASSEMBLY |                           |             |
| 13               | FC5-1057-000 |                  | 1    | WINDOW, LAMP                   |                           |             |
| 14               | FC5-1059-000 |                  | 1    | KEY TOP, POWER SUPPLY          |                           |             |
| 15               | FC5-1506-000 |                  | 1    | CAP. ENERGY SAVE               |                           |             |
| 16               | FC5-1061-000 |                  | 1    | KEY TOP, NUMBERS               |                           |             |
| 17               | FC5-1064-000 |                  | 1    | KEY TOP, STOP                  |                           |             |
| 18               | FC5-1065-000 |                  | 1    | KEY TOP, RESET                 |                           |             |
| 19               | FC5-1066-000 |                  | 1    | KEY TOP, COUNTER               |                           |             |
| 20               | FM2-1116-000 |                  | 1    | START KEY TOP ASSEMBLY         |                           |             |
| 21               | FC6-2903-000 |                  | 1    | PANEL, CONTROL PANEL           | 100V                      |             |
| 21               | FC5-1400-000 |                  | 1    | PANEL, CONTROL PANEL           | 120V                      |             |
| 21               | FC5-5457-000 |                  | 1    | PANEL, CONTROL PANEL           | 230V                      |             |
| 501              | XB4-5301-007 |                  | 18   | SCREW,P,M3X10                  |                           |             |
| 502              | XB6-7300-607 |                  | 19   | SCREW, TP, M3X6                |                           |             |





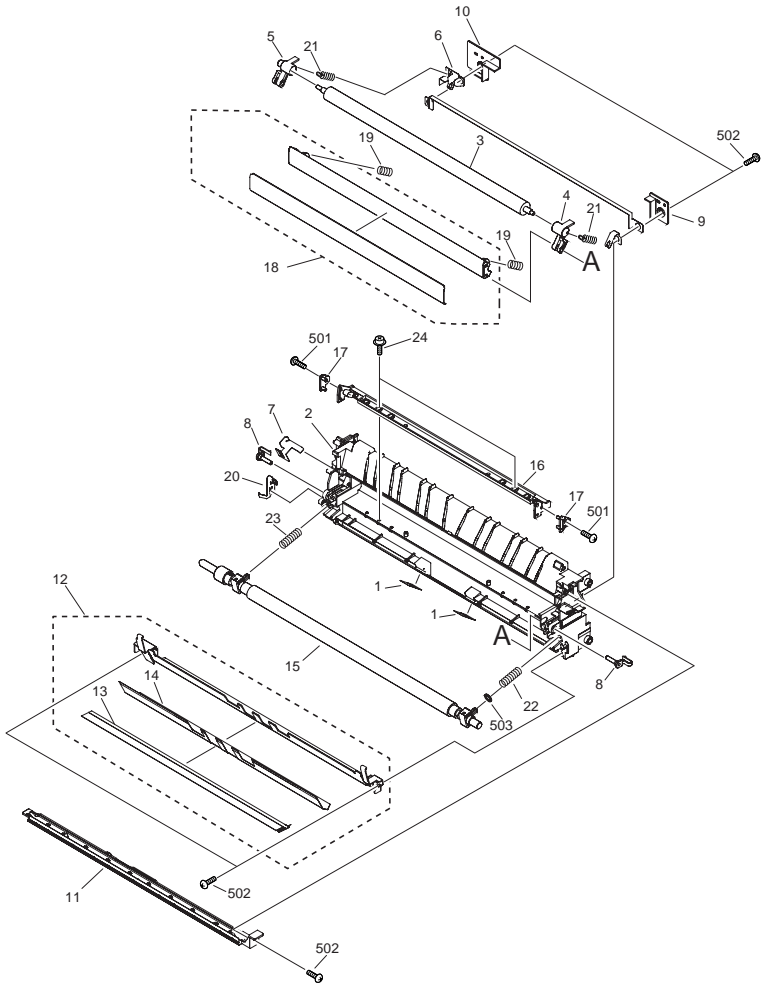


| FIGURE & KEY NO. | PARTS NUMBER | R<br>A<br>N<br>K | Q'TY | DESCRIPTION                    | SERIAL NUMBER/<br>REMARKS               | S<br>V<br>C |
|------------------|--------------|------------------|------|--------------------------------|---|-------------|
| Fig.140          | FM2-0250-000 |                  | 1    | RIGHT DOOR ASSEMBLY            | SEE NOTE                                |             |
| 1                | FL2-0106-000 |                  | 1    | GUIDE, PRE-REGIST. AUXILIARY   |   |             |
| 2                | FC5-0521-000 |                  | 1    | LINK, MULTI FEED HAND LEVER    |   |             |
| 3                | FC5-0522-000 |                  | 1    | PIN, LEVER HINGE               |   |             |
| 4                | FC5-0524-000 |                  | 1    | COVER, MULTI FEED CONNECTOR    |   |             |
| 5                | FC5-0525-000 |                  | 1    | RING, RETAINING                |   |             |
| 6                | FC5-0652-000 |                  | 1    | GUIDE, DUPLEXING FEEDER, 2     |   |             |
| 7                | FC5-0653-020 |                  | 2    | ROLLER, DUPLEXING FEEDER       |   |             |
| 8                | FC5-0659-000 |                  | 1    | SPRING, TORSION                |   |             |
| 9                | FC6-4815-000 |                  | 1    | PLATE, HINGE, UPPER            |   |             |
| 10               | FC5-0674-000 |                  | 1    | STRAP, RIGHT DOOR              |   |             |
| 11               | FC5-0676-000 |                  | 1    | PLATE, GROUNDING               |   |             |
| 12               | FC5-0677-000 |                  | 1    | PLATE, GROUNDING               |   |             |
| 13               | FC5-0682-000 |                  | 1    | PIN, INNER DOOR HINGE          |   |             |
| 14               | FC5-0685-000 |                  | 1    | BUTTON, RIGHT DOOR             |   |             |
| 15               | FC5-0690-000 |                  | 1    | PLATE, SHOCK ABSORBER          |   |             |
| 16               | FC5-0972-000 |                  | 1    | SPRING, TORSION                |   |             |
| 17               | FC5-1354-000 |                  | 1    | FLAPPER, FIXING DELIVERY REV.  |   |             |
| 18               | FC6-2902-000 |                  | 1    | GUIDE, DUPLEXING FEEDER        |   |             |
| 19               | FG3-3189-000 |                  | 1    | CABLE, RIGHT DOOR UNIT         | J3305,3302D,3303D,3306<br>D,3307D,3308L |             |
| 20               | FK2-0360-000 |                  | 2    | FAN                            | FM1,2 J3309L,3310L                      |             |
| 21               | FM2-0111-000 |                  | 1    | MULTI FEED FRAME ASSEMBLY      |   |             |
| 22               | FA4-1159-000 |                  | 1    | RETAINING RING                 |   |             |
| 23               | FB1-8581-000 |                  | 1    | ROLLER                         |   |             |
| 24               | FC5-0488-000 |                  | 1    | PAD, MULTI FEED SEPARATION     |   |             |
| 25               | FC5-0489-000 |                  | 1    | FLAG, MULTI FEED SENSOR        |   |             |
| 26               | FC5-0490-000 |                  | 1    | COVER, MULTI FEED ROLLER       |   |             |
| 27               | FG3-3188-000 |                  | 1    | CABLE, MULTI SENSOR            | J3304,3303L                             |             |
| 28               | FK2-0149-000 |                  | 2    | PHOTO-INTERRUPTER, TLP1253(C6) | PS7,17 J3304,3305                       |             |
| 29               | FL2-0101-000 |                  | 1    | PLATE, MULTI FEED, LIFTER      |   |             |
| 30               | FC5-0529-000 |                  | 1    | SHEET, SEPARATION              |   |             |

| FIGURE & KEY NO. | PARTS NUMBER | RANK | Q'TY | DESCRIPTION                    | SERIAL NUMBER/REMARKS | SVC |
|------------------|--------------|------|------|--------------------------------|-----------------------|-----|
| 31               | FC5-0543-000 |      | 1    | SHEET, SEPARATION              |                       |     |
| 32               | FC5-0542-000 |      | 1    | SHEET, MULTI FEED OUTLET       |                       |     |
| 33               | FS5-1209-000 |      | 2    | BUSHING                        |                       |     |
| 34               | FS6-2790-000 |      | 2    | SPRING, COMPRESSION            |                       |     |
| 35               | FS6-2791-000 |      | 1    | SPRING, COMPRESSION            |                       |     |
| 36               | FU5-0061-000 |      | 1    | GEAR, 31T                      |                       |     |
| 37               | FU5-2034-000 |      | 1    | SPRING, TORSION                |                       |     |
| 38               | FC5-0496-000 |      | 1    | GUIDE, PRE-REGIST. AUX., UPPER |                       |     |
| 39               | XA9-0894-000 |      | 3    | SCREW,M3X6                     |                       |     |
| 40               | FB4-2930-000 |      | 8    | SPRING, LEAF                   |                       |     |
| 41               | FB5-4773-000 |      | 2    | ROLLER, DUPLEXING              |                       |     |
| 42               | FC5-0657-000 |      | 1    | FLAG, DUPLEXING FEEDER SENSOR  |                       |     |
| 43               | FC5-0658-000 |      | 1    | SPRING, TORSION                |                       |     |
| 44               | FC5-0691-000 |      | 1    | STOPPER, DOOR                  |                       |     |
| 45               | FL2-0143-000 |      | 1    | GUIDE, DUPLEXING INTERNAL      |                       |     |
| 46               | FC5-0703-000 |      | 2    | LABEL, RIGHT INSIDE DOOR GRIP  |                       |     |
| 47               | FU5-2067-000 |      | 1    | SPRING, COMPRESSION            |                       |     |
| 48               | FU5-0006-000 |      | 1    | GEAR, 26T/PULLEY, 24T          |                       |     |
| 49               | FU5-1006-000 |      | 4    | BUSHING                        |                       |     |
| 50               | FU5-2063-000 |      | 1    | SPRING, COMPRESSION            |                       |     |
| 51               | FU5-3016-000 |      | 1    | PULLEY, 24T                    |                       |     |
| 52               | XA9-1386-000 |      | 1    | SCREW,RS,M3X8                  |                       |     |
| 53               | XF2-4112-240 |      | 1    | BELT, TIMING, COGGED           |                       |     |
| 55               | FU5-2044-000 |      | 2    | SPRING, COMPRESSION            |                       |     |
| 56               | FU5-2045-000 |      | 2    | SPRING, COMPRESSION            |                       |     |
| 57               | FU5-6014-000 |      | 2    | COLLAR                         |                       |     |
| 58               | FM2-0355-000 |      | 1    | HOOK HOLDER UNIT               |                       |     |
| 59               | FL2-0298-000 |      | 2    | HOLDER, FILTER                 |                       |     |
| 60               | FC5-1546-000 |      | 2    | FILTER, VOC                    |                       |     |
| 501              | XB4-5401-007 |      | 20   | SCREW, M4X10                   |                       |     |
| 502              | XD2-1100-422 |      | 5    | RETAINING RING (E-TYPE)        |                       |     |
| 503              | XD3-2200-102 |      | 2    | PIN, PARALLEL                  |                       |     |

| FIGURE<br>& KEY<br>NO. | PARTS<br>NUMBER | R<br>A<br>N<br>K | Q'TY | DESCRIPTION | SERIAL NUMBER/<br>REMARKS | S<br>V<br>C |
|------------------------|-----------------|------------------|------|-------------|---------------------------|-------------|
| 504                    | XD3-2160-162    |                  | 2    | PIN,DOWEL   |                           |             |

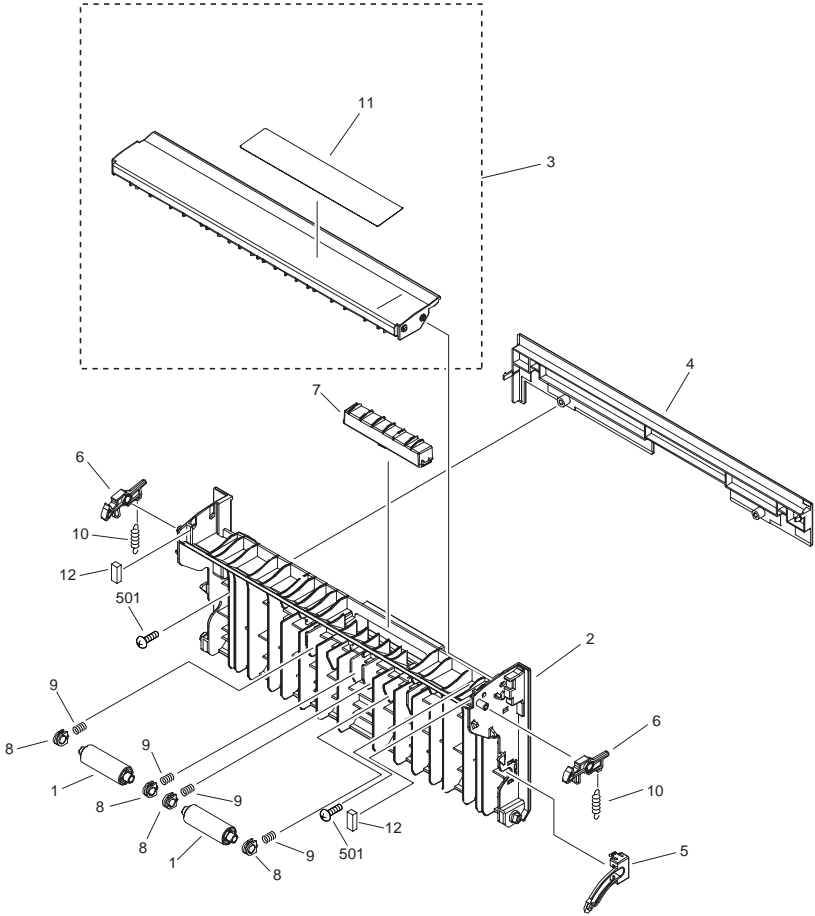
# FIGURE 141 PAPER FEEDER FRAME ASSEMBLY



NOTE : This assembly is included in the assembly shown in Figure 140.  
 注 : このユニットはFigure 140のユニットに含まれます。

| FIGURE & KEY NO. | PARTS NUMBER | R<br>A<br>N<br>K | Q'TY | DESCRIPTION                    | SERIAL NUMBER/<br>REMARKS | S<br>V<br>C |
|------------------|--------------|------------------|------|--------------------------------|---------------------------|-------------|
| Fig.141          | FM2-0252-000 |                  | 1    | PAPER FEEDER FRAME ASSEMBLY    | SEE NOTE                  |             |
| 1                | FC5-0548-000 |                  | 2    | SHEET, PRE-REGISTRATION        |                           |             |
| 2                | FC5-1120-000 |                  | 1    | FRAME, FEEDER                  |                           |             |
| 3                | FC6-2911-000 |                  | 1    | ROLLER, TRANSFER               |                           |             |
| 4                | FC5-1124-000 |                  | 1    | ARM, TRANSFER, FRONT           |                           |             |
| 5                | FC5-1125-000 |                  | 1    | ARM, TRANSFER, REAR            |                           |             |
| 6                | FC5-1126-000 |                  | 1    | PLATE, TRANSFER ELECTRODE, R.  |                           |             |
| 7                | FC5-1127-000 |                  | 1    | PLATE, STATIC CHARGE ELECTRODE |                           |             |
| 8                | FC5-1536-000 |                  | 2    | PIN, TRANSFER HINGE            |                           |             |
| 9                | FC5-1558-000 |                  | 1    | COVER,ELECTRODE PLATE,FRONT    |                           |             |
| 10               | FC5-1559-000 |                  | 1    | COVER,ELECTRODE PLATE,REAR     |                           |             |
| 11               | FL2-0247-000 |                  | 1    | HOLDER,STATIC CHARGE ELIMI.    |                           |             |
| 12               | FL2-0250-000 |                  | 1    | GUIDE, PRE-REGIST. DOOR SIDE   |                           |             |
| 13               | FC5-0549-000 |                  | 1    | ELIMINATOR, STATIC CHARGE      |                           |             |
| 14               | FC5-1552-000 |                  | 1    | SHEET, PRE-REGIST. DOOR SIDE   |                           |             |
| 15               | FL2-0251-000 |                  | 1    | ROLLER, REGISTRATION SOFT      |                           |             |
| 16               | FC5-1527-000 |                  | 1    | GUIDE, SWING LOWER, LOWER      |                           |             |
| 17               | FC5-1560-000 |                  | 2    | HOLDER, SWING GUIDE, LOWER     |                           |             |
| 18               | FL2-0246-000 |                  | 1    | GUIDE, SWING LOWER, UPPER      |                           |             |
| 19               | FU6-2010-000 |                  | 2    | SPRING                         |                           |             |
| 20               | FU5-2037-000 |                  | 1    | PLATE, GROUNDING               |                           |             |
| 21               | FU5-2076-000 |                  | 2    | SPRING                         |                           |             |
| 22               | FU5-2611-000 |                  | 1    | SPRING, COMPRESSION            |                           |             |
| 23               | FU6-2014-000 |                  | 1    | SPRING, COMPRESSION            |                           |             |
| 24               | XA9-1297-000 |                  | 2    | SCREW, M3X10                   |                           |             |
| 501              | XB4-5300-607 |                  | 2    | SCREW,P,M3X6                   |                           |             |
| 502              | XB4-5401-007 |                  | 5    | SCREW, M4X10                   |                           |             |
| 503              | XD1-1106-219 |                  | 1    | SHIM, CIRCULAR                 |                           |             |

FIGURE 145  
RIGHT LOWER DOOR ASSEMBLY

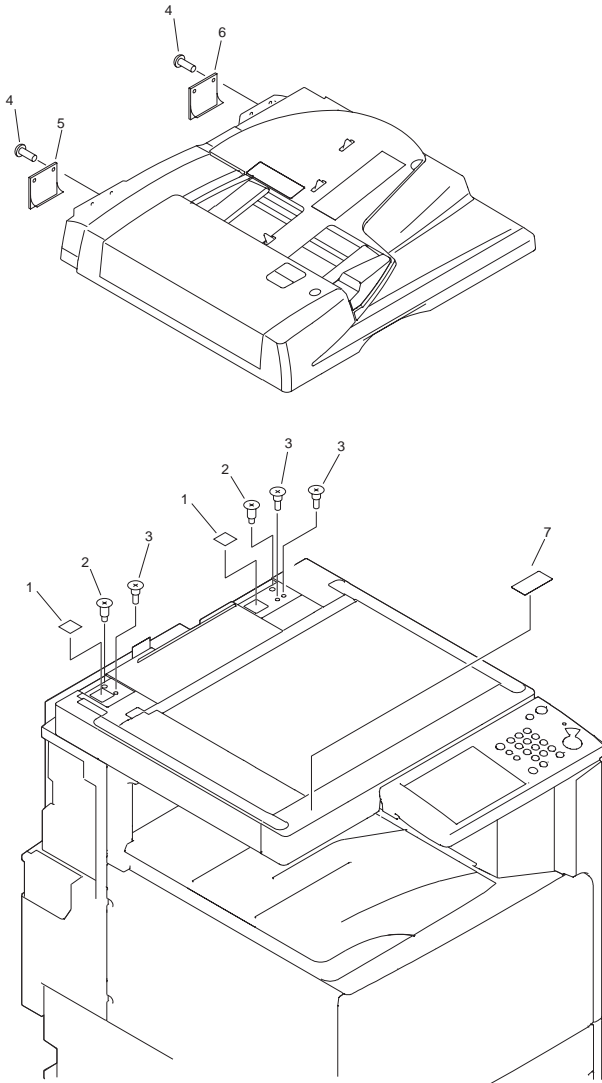




| FIGURE & KEY NO. | PARTS NUMBER | R<br>A<br>N<br>K | Q'TY | DESCRIPTION               | SERIAL NUMBER/<br>REMARKS | S<br>V<br>C |
|------------------|--------------|------------------|------|---------------------------|---------------------------|-------------|
| Fig.145          | FM2-0131-000 |                  | 1    | RIGHT LOWER DOOR ASSEMBLY |                           |             |
| 1                | FB6-3313-000 |                  | 2    | ROLLER, PAPER FEED        |                           |             |
| 2                | FC5-0588-000 |                  | 1    | DOOR, RIGHT LOWER         |                           |             |
| 3                | FL2-0126-000 |                  | 1    | GUIDE, DECK PATH          |                           |             |
| 4                | FC5-0590-000 |                  | 1    | PANEL, BLANKING           |                           |             |
| 5                | FC5-0592-000 |                  | 1    | STOPPER, RIGHT LOWER DOOR |                           |             |
| 6                | FC5-0593-000 |                  | 2    | HOOK, RIGHT LOWER DOOR    |                           |             |
| 7                | FC5-0594-000 |                  | 1    | GRIP, RIGHT LOWER DOOR    |                           |             |
| 8                | FS5-1595-000 |                  | 4    | BUSHING, VERTICAL ROLLER  |                           |             |
| 9                | FS7-2788-000 |                  | 4    | SPRING, COMPRESSION       |                           |             |
| 10               | FU5-2030-000 |                  | 2    | SPRING, TENSION           |                           |             |
| 11               | FU5-8011-000 |                  | 1    | LABEL, LASER CAUTION      |                           |             |
| 12               | FC5-7413-000 |                  | 2    | SHEET, RIGHT LOWER DOOR   |                           |             |
| 501              | XB4-5400-807 |                  | 2    | SCREW,P,M4X8              |                           |             |

# FIGURE 160

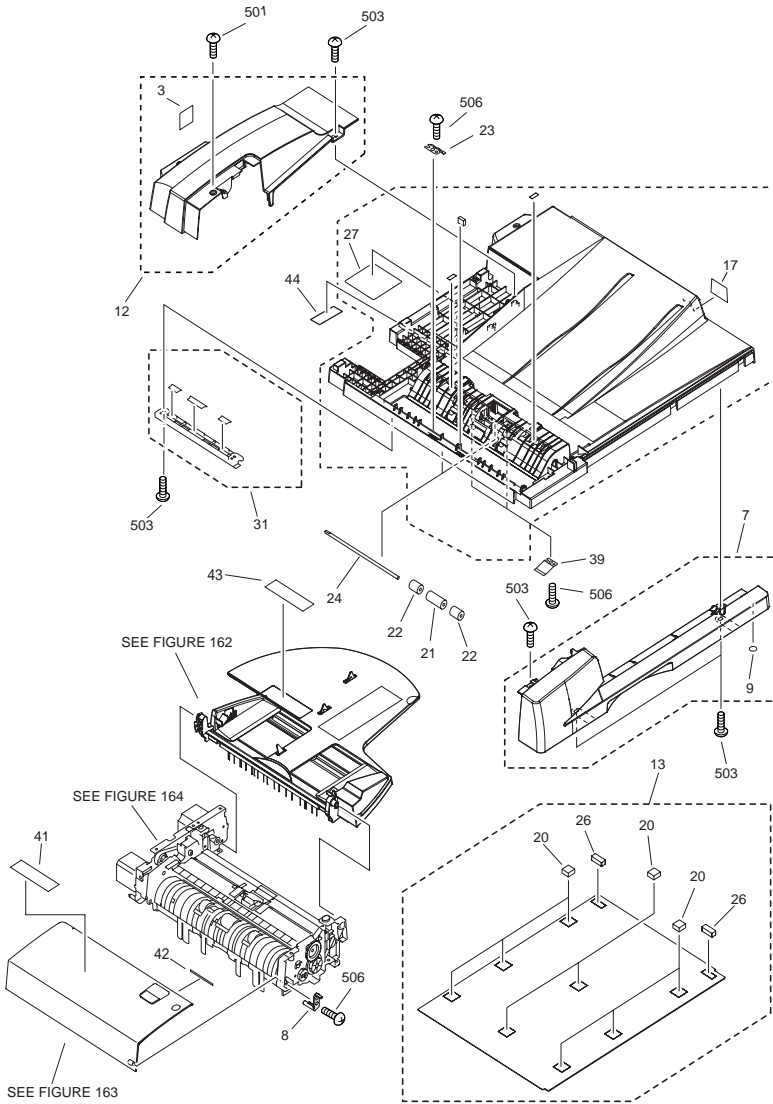
## DADF MOUNTING HARDWARE

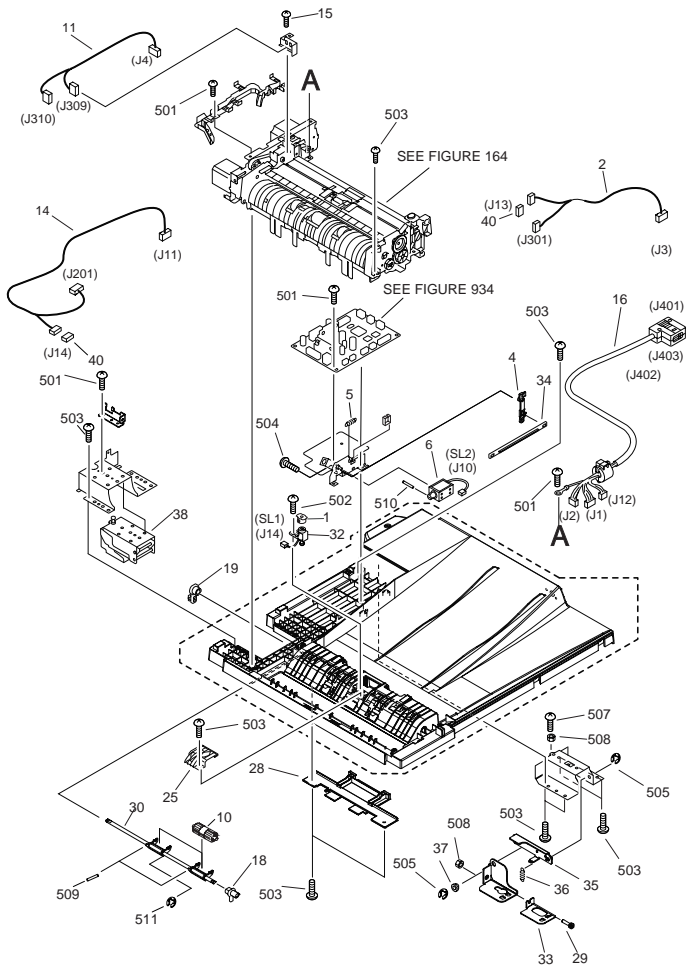


| FIGURE & KEY NO. | PARTS NUMBER | R A N K | Q'TY | DESCRIPTION               | SERIAL NUMBER/ REMARKS  | S V C |
|------------------|--------------|---------|------|---------------------------|---|-------|
| Fig.160          | NPN          |         | 1    | DADF MOUNTING HARDWARE    | iR2270F&iR2870F&iR4570F&iR3570F&iR2270CA&iR2870 CA&iR3570CA&iR4570 CA |       |
| 1                | FC5-4427-000 |         | 2    | SHEET, BLANKING           | iR2270F&iR2870F&iR4570F&iR3570F&iR2270CA&iR2870 CA&iR3570CA&iR4570 CA |       |
| 2                | FU5-9139-000 |         | 2    | SCREW, STEPPED, 5X6       | iR2270F&iR2870F&iR4570F&iR3570F&iR2270CA&iR2870 CA&iR3570CA&iR4570 CA |       |
| 3                | FU5-9140-000 |         | 3    | SCREW, STEPPED, M4X10     | iR2270F&iR2870F&iR4570F&iR3570F&iR2270CA&iR2870 CA&iR3570CA&iR4570 CA |       |
| 4                | XA9-0874-000 |         | 4    | SCREW, M3X8               | iR2270F&iR2870F&iR4570F&iR3570F&iR2270CA&iR2870 CA&iR3570CA&iR4570 CA |       |
| 5                | FB5-9504-000 |         | 1    | SHEET,HINGE GUIDE,LEFT    | iR2270F&iR2870F&iR4570F&iR3570F&iR2270CA&iR2870 CA&iR3570CA&iR4570 CA |       |
| 6                | FB5-9505-000 |         | 1    | SHEET, HINGE GUIDE, RIGHT | iR2270F&iR2870F&iR4570F&iR3570F&iR2270CA&iR2870 CA&iR3570CA&iR4570 CA |       |
| 7                | FC5-4410-000 |         | 1    | LABEL, CLEANING           | iR2270F&iR2870F&iR4570F&iR3570F&iR2270CA&iR2870 CA&iR3570CA&iR4570 CA |       |

# FIGURE 161

## DADF ASSEMBLY





| FIGURE & KEY NO. | PARTS NUMBER | RANK | Q'TY | DESCRIPTION               | SERIAL NUMBER/REMARKS   | SVC |
|------------------|--------------|------|------|---------------------------|---|-----|
| Fig.161          | NPN          |      | 1    | DADF ASSEMBLY             | iR2270F&iR2870F&iR4570F&iR3570F&iR2270CA&iR2870 CA&iR3570CA&iR4570 CA                           |     |
| 1                | FB5-9410-000 |      | 1    | STAMPER                   | iR2270F&iR2870F&iR4570F&iR3570F&iR2270CA&iR2870 CA&iR3570CA&iR4570 CA                           |     |
| 2                | FF3-4608-000 |      | 1    | CABLE, JOINT              | iR2270F&iR2870F&iR4570F&iR3570F&iR2270CA&iR2870 CA&iR3570CA&iR4570 CA P12,3,4 J3,13,302,303,304 |     |
| 3                | FC5-4400-000 |      | 1    | LABEL, HINGE CAUTION      | iR2270F&iR2870F&iR4570F&iR3570F&iR2270CA&iR2870 CA&iR3570CA&iR4570 CA                           |     |
| 4                | FC5-4279-000 |      | 1    | LEVER, SOLENOID           | iR2270F&iR2870F&iR4570F&iR3570F&iR2270CA&iR2870 CA&iR3570CA&iR4570 CA                           |     |
| 5                | FS7-2662-000 |      | 1    | SPRING, TENSION           | iR2270F&iR2870F&iR4570F&iR3570F&iR2270CA&iR2870 CA&iR3570CA&iR4570 CA                           |     |
| 6                | FL2-2954-000 |      | 1    | SOLENOID                  | iR2270F&iR2870F&iR4570F&iR3570F&iR2270CA&iR2870 CA&iR3570CA&iR4570 CA SL2 J10                   |     |
| 7                | FL2-0961-000 |      | 1    | PANEL, FRONT              | iR2270F&iR2870F&iR4570F&iR3570F&iR2270CA&iR2870 CA&iR3570CA&iR4570 CA                           |     |
| 8                | FC5-4264-000 |      | 1    | SHAFT, OPEN/CLOSE         | iR2270F&iR2870F&iR4570F&iR3570F&iR2270CA&iR2870 CA&iR3570CA&iR4570 CA                           |     |
| 9                | XH9-0126-000 |      | 1    | SHEET, CLEAR DAMPER       | iR2270F&iR2870F&iR4570F&iR3570F&iR2270CA&iR2870 CA&iR3570CA&iR4570 CA                           |     |
| 10               | FC6-2778-000 |      | 2    | ROLLER, DELIVERY REVERSE  | iR2270F&iR2870F&iR4570F&iR3570F&iR2270CA&iR2870 CA&iR3570CA&iR4570 CA                           |     |
| 11               | FF3-4306-000 |      | 1    | CABLE, COVER/CLOSE SENSOR | iR2270F&iR2870F&iR4570F&iR3570F&iR2270CA&iR2870 CA&iR3570CA&iR4570 CA P19,10 J4,309,310         |     |

| FIGURE & KEY NO. | PARTS NUMBER | RANK | Q'TY | DESCRIPTION                   | SERIAL NUMBER/REMARKS   | SVC |
|------------------|--------------|------|------|-------------------------------|---|-----|
| 12               | FL2-0941-000 |      | 1    | PANEL, REAR                   | iR2270F&iR2870F&iR4570F&iR3570F&iR2270CA&iR2870CA&iR3570CA&iR4570CA                     |     |
| 13               | FL2-0947-000 |      | 1    | PANEL, COPYBOARD              | iR2270F&iR2870F&iR4570F&iR3570F&iR2270CA&iR2870CA&iR3570CA&iR4570CA                     |     |
| 14               | FF3-4607-000 |      | 1    | CABLE, SOLENOID LED           | iR2270F&iR2870F&iR4570F&iR3570F&iR2270CA&iR2870CA&iR3570CA&iR4570CA SL2 J11,14,201      |     |
| 15               | XA9-0894-000 |      | 1    | SCREW,M3X6                    | iR2270F&iR2870F&iR4570F&iR3570F&iR2270CA&iR2870CA&iR3570CA&iR4570CA                     |     |
| 16               | FG3-3125-000 |      | 1    | CABLE, INTERFACE              | iR2270F&iR2870F&iR4570F&iR3570F&iR2270CA&iR2870CA&iR3570CA&iR4570CA J1,2,12,401,402,403 |     |
| 17               | FC5-4428-000 |      | 1    | SHEET, BLANKING               | iR2270F&iR2870F&iR4570F&iR3570F&iR2270CA&iR2870CA&iR3570CA&iR4570CA                     |     |
| 18               | FC5-4280-000 |      | 1    | BUSHING                       | iR2270F&iR2870F&iR4570F&iR3570F&iR2270CA&iR2870CA&iR3570CA&iR4570CA                     |     |
| 19               | FC5-4281-000 |      | 1    | BUSHING                       | iR2270F&iR2870F&iR4570F&iR3570F&iR2270CA&iR2870CA&iR3570CA&iR4570CA                     |     |
| 20               | FC5-4295-000 |      | 8    | SHEET, COPYBOARD COVER, LARGE | iR2270F&iR2870F&iR4570F&iR3570F&iR2270CA&iR2870CA&iR3570CA&iR4570CA                     |     |
| 21               | FC5-4286-000 |      | 2    | ROLLER, PAPER FEED, 1         | iR2270F&iR2870F&iR4570F&iR3570F&iR2270CA&iR2870CA&iR3570CA&iR4570CA                     |     |
| 22               | FC5-4287-000 |      | 4    | ROLLER, PAPER FEED, 2         | iR2270F&iR2870F&iR4570F&iR3570F&iR2270CA&iR2870CA&iR3570CA&iR4570CA                     |     |
| 23               | FB5-9401-000 |      | 2    | SPRING, LEAF                  | iR2270F&iR2870F&iR4570F&iR3570F&iR2270CA&iR2870CA&iR3570CA&iR4570CA                     |     |

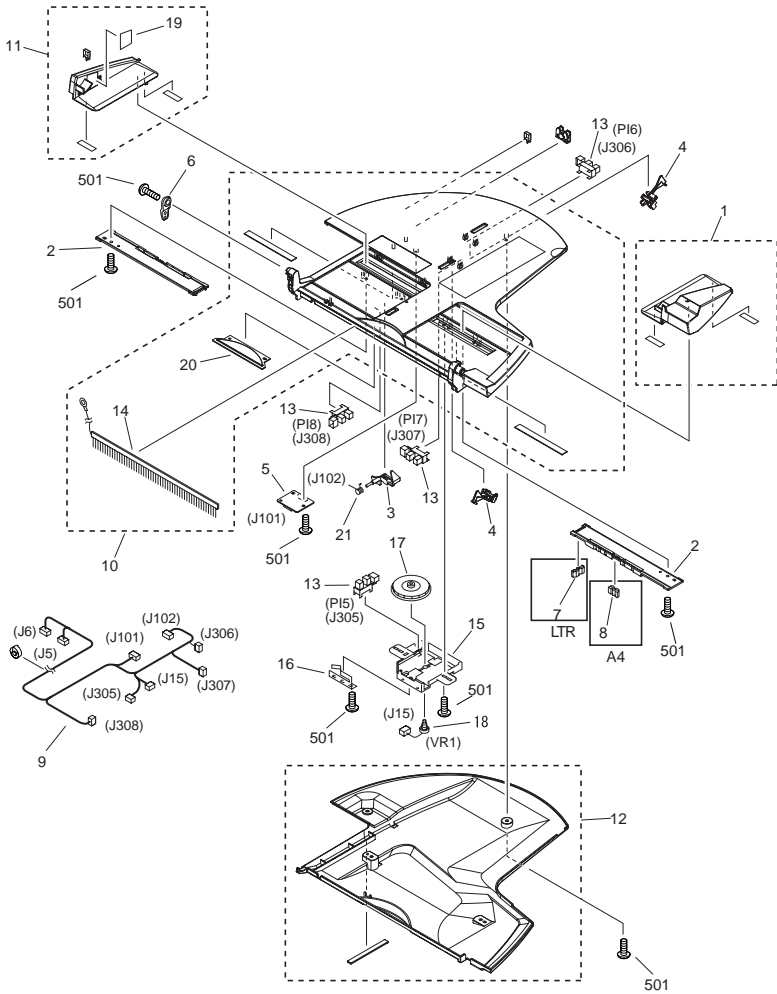
| FIGURE & KEY NO. | PARTS NUMBER | R A N K | Q'TY | DESCRIPTION                    | SERIAL NUMBER/ REMARKS  | S V C |
|------------------|--------------|---------|------|--------------------------------|---|-------|
| 24               | FC5-4285-030 |         | 2    | SHAFT, PAPER FEED ROLLER       | iR2270F&iR2870F&iR4570F&iR3570F&iR2270CA&iR2870 CA&iR3570CA&iR4570 CA         |       |
| 25               | FC5-4291-000 |         | 1    | GUIDE, STAMP                   | iR2270F&iR2870F&iR4570F&iR3570F&iR2270CA&iR2870 CA&iR3570CA&iR4570 CA         |       |
| 26               | FC5-4293-000 |         | 2    | SPONGE, COPYBOARD PANEL        | iR2270F&iR2870F&iR4570F&iR3570F&iR2270CA&iR2870 CA&iR3570CA&iR4570 CA         |       |
| 27               | FC5-4399-000 |         | 1    | LABEL, HINGE CAUTION           | iR2270F&iR2870F&iR4570F&iR3570F&iR2270CA&iR2870 CA&iR3570CA&iR4570 CA         |       |
| 28               | FC5-4292-000 |         | 1    | GUIDE, PAPER FEED ROLLER, 2    | iR2270F&iR2870F&iR4570F&iR3570F&iR2270CA&iR2870 CA&iR3570CA&iR4570 CA         |       |
| 29               | FC5-4274-000 |         | 1    | SCREW, ADJUSTMENT, M4          | iR2270F&iR2870F&iR4570F&iR3570F&iR2270CA&iR2870 CA&iR3570CA&iR4570 CA         |       |
| 30               | FL2-0945-000 |         | 1    | SHAFT, DELIVERY REVERSE ROLLER | iR2270F&iR2870F&iR4570F&iR3570F&iR2270CA&iR2870 CA&iR3570CA&iR4570 CA         |       |
| 31               | FL2-0946-000 |         | 1    | GUIDE, PAPER FEED ROLLER, 1    | iR2270F&iR2870F&iR4570F&iR3570F&iR2270CA&iR2870 CA&iR3570CA&iR4570 CA         |       |
| 32               | FK2-0216-000 |         | 1    | SOLENOID                       | iR2270F&iR2870F&iR4570F&iR3570F&iR2270CA&iR2870 CA&iR3570CA&iR4570 CA SL1 J14 |       |
| 33               | FC5-4273-020 |         | 1    | PLATE, RIGHT HINGE ADJUSTMENT  | iR2270F&iR2870F&iR4570F&iR3570F&iR2270CA&iR2870 CA&iR3570CA&iR4570 CA         |       |
| 34               | FC5-4278-000 |         | 1    | LINK, SOLENOID                 | iR2270F&iR2870F&iR4570F&iR3570F&iR2270CA&iR2870 CA&iR3570CA&iR4570 CA         |       |
| 35               | FL2-0943-000 |         | 1    | ARM, RIGHT HINGE               | iR2270F&iR2870F&iR4570F&iR3570F&iR2270CA&iR2870 CA&iR3570CA&iR4570 CA         |       |



| FIGURE & KEY NO. | PARTS NUMBER | RANK | Q'TY | DESCRIPTION                 | SERIAL NUMBER/REMARKS  | SVC |
|------------------|--------------|------|------|-----------------------------|--|-----|
| 36               | FS7-2660-000 |      | 1    | SPRING, TENSION             | iR2270F&iR2870F&iR4570F&iR3570F&iR2270CA&iR2870 CA&iR3570CA&iR4570 CA            |     |
| 37               | FU5-1173-000 |      | 1    | BUSHING                     | iR2270F&iR2870F&iR4570F&iR3570F&iR2270CA&iR2870 CA&iR3570CA&iR4570 CA            |     |
| 38               | FB6-2703-040 |      | 1    | LEFT HINGE UNIT             | iR2270F&iR2870F&iR4570F&iR3570F&iR2270CA&iR2870 CA&iR3570CA&iR4570 CA            |     |
| 39               | FC5-4289-000 |      | 2    | SPRING, LEAF                | iR2270F&iR2870F&iR4570F&iR3570F&iR2270CA&iR2870 CA&iR3570CA&iR4570 CA            |     |
| 40               | VS1-7177-002 |      | 2    | CONNECTOR, SNAP TIGHY, BK   | iR2270F&iR2870F&iR4570F&iR3570F&iR2270CA&iR2870 CA&iR3570CA&iR4570 CA            |     |
| 41               | FC5-4402-000 |      | 1    | LABEL, DOCUMENT PROHIBITION | AB SIZE<br>iR2270F&iR2870F&iR4570F&iR3570F&iR2270CA&iR2870 CA&iR3570CA&iR4570 CA |     |
| 42               | FC5-4408-000 |      | 1    | LABEL,DOCUMENT SIZE         | iR2270F&iR2870F&iR4570F&iR3570F&iR2270CA&iR2870 CA&iR3570CA&iR4570 CA            |     |
| 43               | FC5-4391-000 |      | 1    | LABEL, DOCUMENT SIZE        | AB SIZE<br>iR2270F&iR2870F&iR4570F&iR3570F&iR2270CA&iR2870 CA&iR3570CA&iR4570 CA |     |
| 44               | FC5-4396-000 |      | 1    | LABEL, HINGE CAUTION        | AB SIZE<br>iR2270F&iR2870F&iR4570F&iR3570F&iR2270CA&iR2870 CA&iR3570CA&iR4570 CA |     |
| 501              | XBI-2400-606 |      | 5    | SCREW,MACH,TRUSS HEAD,M4X6  | iR2270F&iR2870F&iR4570F&iR3570F&iR2270CA&iR2870 CA&iR3570CA&iR4570 CA            |     |
| 502              | XB4-5300-806 |      | 1    | SCREW,P,M3X8                | iR2270F&iR2870F&iR4570F&iR3570F&iR2270CA&iR2870 CA&iR3570CA&iR4570 CA            |     |
| 503              | XB4-5401-205 |      | 11   | SCREW,P,M4X12               | iR2270F&iR2870F&iR4570F&iR3570F&iR2270CA&iR2870 CA&iR3570CA&iR4570 CA            |     |

| FIGURE & KEY NO. | PARTS NUMBER | R<br>A<br>N<br>K | Q'TY | DESCRIPTION                 | SERIAL NUMBER/<br>REMARKS   | S<br>V<br>C |
|------------------|--------------|------------------|------|-----------------------------|---|-------------|
| 504              | XB1-2300-306 |                  | 2    | SCREW,MACH.,TRUSS HEAD,M3X3 | iR2270F&iR2870F&iR4570F&iR3570F&iR2270CA&iR2870CA&iR3570CA&iR4570CA |             |
| 505              | XD2-1100-502 |                  | 2    | RETAINING RING (E-TYPE)     | iR2270F&iR2870F&iR4570F&iR3570F&iR2270CA&iR2870CA&iR3570CA&iR4570CA |             |
| 506              | XB4-5400-809 |                  | 4    | SCREW,P,M4X8                | iR2270F&iR2870F&iR4570F&iR3570F&iR2270CA&iR2870CA&iR3570CA&iR4570CA |             |
| 507              | XB1-2401-406 |                  | 2    | BINDING HEAD MACHINE SCREW  | iR2270F&iR2870F&iR4570F&iR3570F&iR2270CA&iR2870CA&iR3570CA&iR4570CA |             |
| 508              | XB7-2100-405 |                  | 2    | NUT, HEX M4                 | iR2270F&iR2870F&iR4570F&iR3570F&iR2270CA&iR2870CA&iR3570CA&iR4570CA |             |
| 509              | XD3-1200-102 |                  | 2    | SPRING PIN                  | iR2270F&iR2870F&iR4570F&iR3570F&iR2270CA&iR2870CA&iR3570CA&iR4570CA |             |
| 510              | XD3-1300-162 |                  | 1    | PIN,SPRING                  | iR2270F&iR2870F&iR4570F&iR3570F&iR2270CA&iR2870CA&iR3570CA&iR4570CA |             |
| 511              | XD2-1100-402 |                  | 1    | RETAINING RING (E-TYPE)     | iR2270F&iR2870F&iR4570F&iR3570F&iR2270CA&iR2870CA&iR3570CA&iR4570CA |             |

# FIGURE 162 DOCUMENT TRAY ASSEMBLY

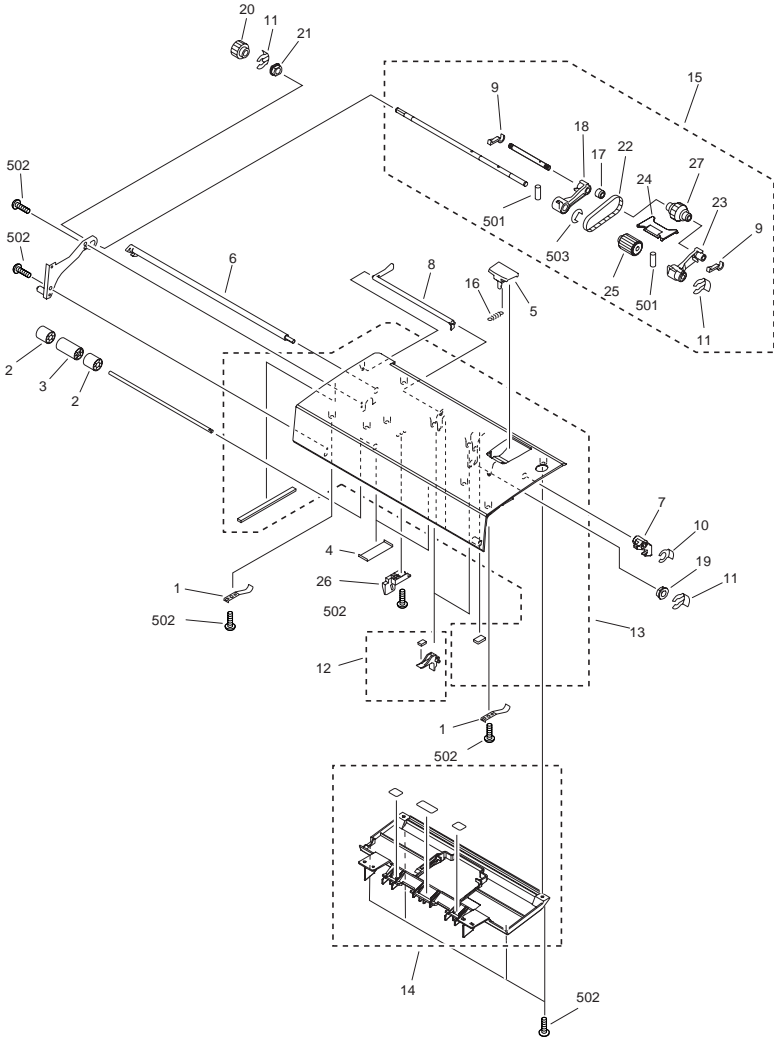


| FIGURE & KEY NO. | PARTS NUMBER | RANK | Q'TY | DESCRIPTION                  | SERIAL NUMBER/REMARKS   | SVC |
|------------------|--------------|------|------|------------------------------|---|-----|
| Fig.162          | FM2-2964-000 |      | 1    | DOCUMENT TRAY ASSEMBLY       | iR2270F&iR2870F&iR4570F&iR3570F&iR2270CA&iR2870 CA&iR3570CA&iR4570 CA   |     |
| 1                | FL2-0951-000 |      | 1    | GUIDE, DOCUMENT, FRONT       | iR2270F&iR2870F&iR4570F&iR3570F&iR2270CA&iR2870 CA&iR3570CA&iR4570 CA   |     |
| 2                | FC5-4305-000 |      | 2    | RACK, DOCUMENT SIDE GUIDE    | iR2270F&iR2870F&iR4570F&iR3570F&iR2270CA&iR2870 CA&iR3570CA&iR4570 CA   |     |
| 3                | FC5-4306-000 |      | 1    | FLAG, CYCLE END              | iR2270F&iR2870F&iR4570F&iR3570F&iR2270CA&iR2870 CA&iR3570CA&iR4570 CA   |     |
| 4                | FC5-4307-000 |      | 2    | FLAG, DOCUMENT LENGTH SENSOR | iR2270F&iR2870F&iR4570F&iR3570F&iR2270CA&iR2870 CA&iR3570CA&iR4570 CA   |     |
| 5                | FG3-3758-000 |      | 1    | CONNECTING PCB UNIT          | iR2270F&iR2870F&iR4570F&iR3570F&iR2270CA&iR2870 CA&iR3570CA&iR4570 CA J101,102                                      |     |
| 6                | FC5-4308-000 |      | 1    | HOLDER, DOCUMENT TRAY        | iR2270F&iR2870F&iR4570F&iR3570F&iR2270CA&iR2870 CA&iR3570CA&iR4570 CA   |     |
| 7                | FC5-4421-000 |      | 1    | RACK                         | iR2270F&iR2870F&iR4570F&iR3570F&iR2270CA&iR2870 CA&iR3570CA&iR4570 CA LTR   |     |
| 8                | FC5-4422-000 |      | 1    | RACK                         | iR2270F&iR2870F&iR4570F&iR3570F&iR2270CA&iR2870 CA&iR3570CA&iR4570 CA A4  |     |
| 9                | FF3-4609-000 |      | 1    | CABLE, DOCUMENT TRAY         | iR2270F&iR2870F&iR4570F&iR3570F&iR2270CA&iR2870 CA&iR3570CA&iR4570 CA P15,6,7,8 VR1 J5,6,101,102,305,306,307,308,15 |     |
| 10               | FL2-0949-000 |      | 1    | TRAY, DOCUMENT, UPPER        | iR2270F&iR2870F&iR4570F&iR3570F&iR2270CA&iR2870 CA&iR3570CA&iR4570 CA   |     |
| 11               | FL2-0950-000 |      | 1    | GUIDE, DOCUMENT, REAR        | iR2270F&iR2870F&iR4570F&iR3570F&iR2270CA&iR2870 CA&iR3570CA&iR4570 CA   |     |

| FIGURE & KEY NO. | PARTS NUMBER | R A N K | Q'TY | DESCRIPTION                  | SERIAL NUMBER/<br>REMARKS   | S<br>V<br>C |
|------------------|--------------|---------|------|------------------------------|---|-------------|
| 12               | FL2-0952-000 |         | 1    | GUIDE, DOCUMENT TRAY, LOWER  | iR2270F&iR2870F&iR4570F&iR3570F&iR2270CA&iR2870CA&iR3570CA&iR4570CA                                     |             |
| 13               | WG8-5624-000 |         | 4    | IC, PHOTO INTERRUPTER        | iR2270F&iR2870F&iR4570F&iR3570F&iR2270CA&iR2870CA&iR3570CA&iR4570CA<br>P15,16,17,18<br>J305,306,307,308 |             |
| 14               | FB5-9414-000 |         | 1    | ELIMINATOR, STATIC CHARGE    | iR2270F&iR2870F&iR4570F&iR3570F&iR2270CA&iR2870CA&iR3570CA&iR4570CA                                     |             |
| 15               | FC5-4302-000 |         | 1    | HOLDER, VOLUME               | iR2270F&iR2870F&iR4570F&iR3570F&iR2270CA&iR2870CA&iR3570CA&iR4570CA                                     |             |
| 16               | FB5-9417-000 |         | 1    | SPRING, LEAF                 | iR2270F&iR2870F&iR4570F&iR3570F&iR2270CA&iR2870CA&iR3570CA&iR4570CA                                     |             |
| 17               | FU5-0633-000 |         | 1    | GEAR, 62T                    | iR2270F&iR2870F&iR4570F&iR3570F&iR2270CA&iR2870CA&iR3570CA&iR4570CA                                     |             |
| 18               | FG3-3757-000 |         | 1    | VARIABLE RESISTOR UNIT       | iR2270F&iR2870F&iR4570F&iR3570F&iR2270CA&iR2870CA&iR3570CA&iR4570CA VR1 J15                             |             |
| 19               | FC5-4406-000 |         | 1    | LABEL, DOCUMENT HEIGHT LIMIT | iR2270F&iR2870F&iR4570F&iR3570F&iR2270CA&iR2870CA&iR3570CA&iR4570CA                                     |             |
| 20               | FC5-4309-000 |         | 1    | WINDOW, DOCUMENT TRAY        | iR2270F&iR2870F&iR4570F&iR3570F&iR2270CA&iR2870CA&iR3570CA&iR4570CA                                     |             |
| 21               | FB5-9427-000 |         | 1    | SPRING, TORSION              | iR2270F&iR2870F&iR4570F&iR3570F&iR2270CA&iR2870CA&iR3570CA&iR4570CA                                     |             |
| 501              | XB4-7300-809 |         | AR   | SCREW,TAP,BINDING HEAD,M3X8  | iR2270F&iR2870F&iR4570F&iR3570F&iR2270CA&iR2870CA&iR3570CA&iR4570CA                                     |             |

# FIGURE 163

## OPEN/CLOSE PANEL ASSEMBLY



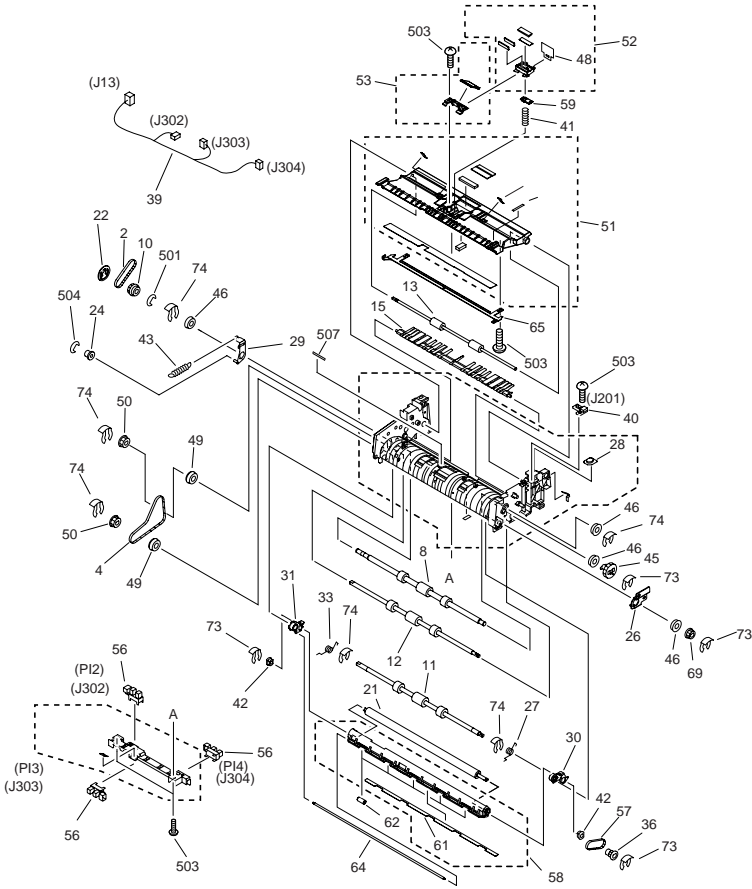
| FIGURE & KEY NO. | PARTS NUMBER | R A N K | Q'TY | DESCRIPTION               | SERIAL NUMBER/ REMARKS  | S V C |
|------------------|--------------|---------|------|---------------------------|---|-------|
| Fig.163          | FM2-2954-000 |         | 1    | OPEN/CLOSE PANEL ASSEMBLY | iR2270F&iR2870F&iR4570F&iR3570F&iR2270CA&iR2870 CA&iR3570CA&iR4570 CA |       |
| 1                | FB5-9434-000 |         | 2    | SPRING, LEAF              | iR2270F&iR2870F&iR4570F&iR3570F&iR2270CA&iR2870 CA&iR3570CA&iR4570 CA |       |
| 2                | FC5-4323-000 |         | 2    | ROLLER, REGISTRATION, 1   | iR2270F&iR2870F&iR4570F&iR3570F&iR2270CA&iR2870 CA&iR3570CA&iR4570 CA |       |
| 3                | FC5-4324-000 |         | 1    | ROLLER, REGISTRATION, 2   | iR2270F&iR2870F&iR4570F&iR3570F&iR2270CA&iR2870 CA&iR3570CA&iR4570 CA |       |
| 4                | FB5-9438-000 |         | 2    | SPRING, LEAF              | iR2270F&iR2870F&iR4570F&iR3570F&iR2270CA&iR2870 CA&iR3570CA&iR4570 CA |       |
| 5                | FC5-4326-000 |         | 1    | LEVER, OPEN/CLOSE         | iR2270F&iR2870F&iR4570F&iR3570F&iR2270CA&iR2870 CA&iR3570CA&iR4570 CA |       |
| 6                | FB5-9440-000 |         | 1    | SHAFT, LATCH              | iR2270F&iR2870F&iR4570F&iR3570F&iR2270CA&iR2870 CA&iR3570CA&iR4570 CA |       |
| 7                | FC5-4327-000 |         | 1    | LEVER, LATCH              | iR2270F&iR2870F&iR4570F&iR3570F&iR2270CA&iR2870 CA&iR3570CA&iR4570 CA |       |
| 8                | FC5-4329-000 |         | 1    | FLAG, DOCUMENT SENSOR     | iR2270F&iR2870F&iR4570F&iR3570F&iR2270CA&iR2870 CA&iR3570CA&iR4570 CA |       |
| 9                | FC5-4336-000 |         | 2    | LEVER, STOP               | iR2270F&iR2870F&iR4570F&iR3570F&iR2270CA&iR2870 CA&iR3570CA&iR4570 CA |       |
| 10               | FC5-4424-000 |         | 1    | CLIP                      | iR2270F&iR2870F&iR4570F&iR3570F&iR2270CA&iR2870 CA&iR3570CA&iR4570 CA |       |
| 11               | FC5-4425-000 |         | 3    | CLIP                      | iR2270F&iR2870F&iR4570F&iR3570F&iR2270CA&iR2870 CA&iR3570CA&iR4570 CA |       |

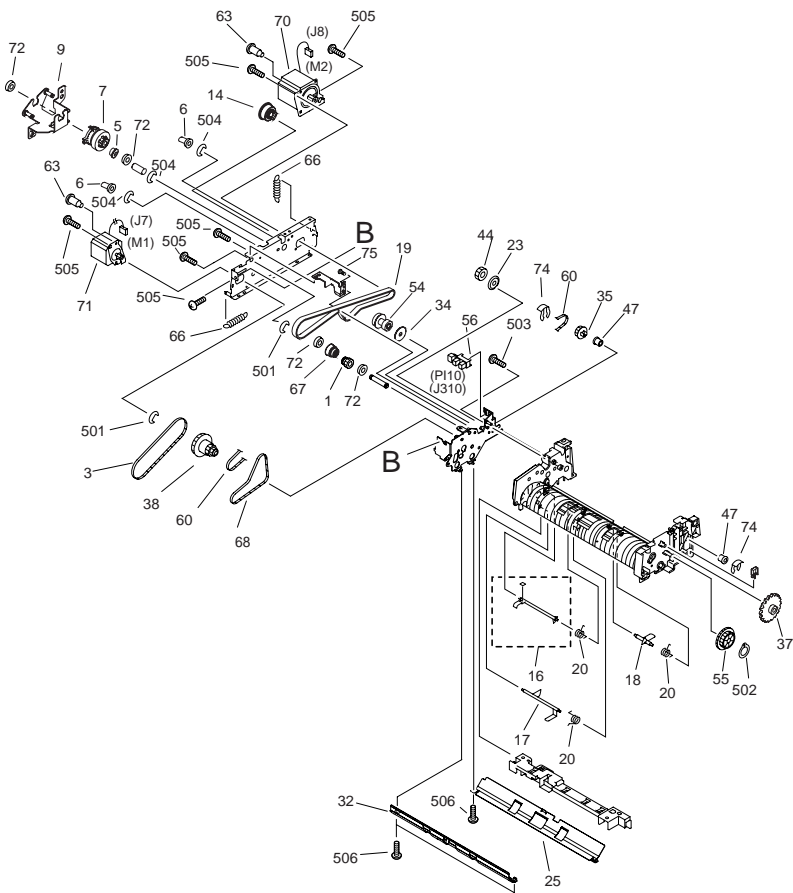
| FIGURE & KEY NO. | PARTS NUMBER | R A N K | Q'TY | DESCRIPTION                | SERIAL NUMBER/ REMARKS  | S V C |
|------------------|--------------|---------|------|----------------------------|---|-------|
| 12               | FL2-0948-000 |         | 2    | SHUTTER                    | iR2270F&iR2870F&iR4570F&iR3570F&iR2270CA&iR2870CA&iR3570CA&iR4570CA |       |
| 13               | FL2-0953-000 |         | 1    | PANEL, OPEN/CLOSE          | iR2270F&iR2870F&iR4570F&iR3570F&iR2270CA&iR2870CA&iR3570CA&iR4570CA |       |
| 14               | FL2-0955-000 |         | 1    | GUIDE, OPEN/CLOSE          | iR2270F&iR2870F&iR4570F&iR3570F&iR2270CA&iR2870CA&iR3570CA&iR4570CA |       |
| 15               | FM2-2955-000 |         | 1    | SEPARATION ROLLER ASSEMBLY | iR2270F&iR2870F&iR4570F&iR3570F&iR2270CA&iR2870CA&iR3570CA&iR4570CA |       |
| 16               | FS7-2663-000 |         | 1    | SPRING, TENSION            | iR2270F&iR2870F&iR4570F&iR3570F&iR2270CA&iR2870CA&iR3570CA&iR4570CA |       |
| 17               | FU5-3333-000 |         | 1    | PULLEY                     | iR2270F&iR2870F&iR4570F&iR3570F&iR2270CA&iR2870CA&iR3570CA&iR4570CA |       |
| 18               | FM2-2958-000 |         | 1    | PICK-UP ARM UNIT,REAR      | iR2270F&iR2870F&iR4570F&iR3570F&iR2270CA&iR2870CA&iR3570CA&iR4570CA |       |
| 19               | FU5-1168-000 |         | 1    | BUSHING                    | iR2270F&iR2870F&iR4570F&iR3570F&iR2270CA&iR2870CA&iR3570CA&iR4570CA |       |
| 20               | FU5-0628-000 |         | 1    | GEAR, 18T                  | iR2270F&iR2870F&iR4570F&iR3570F&iR2270CA&iR2870CA&iR3570CA&iR4570CA |       |
| 21               | FU5-1172-000 |         | 1    | BUSHING                    | iR2270F&iR2870F&iR4570F&iR3570F&iR2270CA&iR2870CA&iR3570CA&iR4570CA |       |
| 22               | XF2-1606-135 |         | 1    | BELT, TIMING               | iR2270F&iR2870F&iR4570F&iR3570F&iR2270CA&iR2870CA&iR3570CA&iR4570CA |       |
| 23               | FM2-2957-000 |         | 1    | PICK-UP ARM UNIT,FRONT     | iR2270F&iR2870F&iR4570F&iR3570F&iR2270CA&iR2870CA&iR3570CA&iR4570CA |       |



| FIGURE & KEY NO. | PARTS NUMBER | R<br>A<br>N<br>K | Q'TY | DESCRIPTION                    | SERIAL NUMBER/<br>REMARKS   | S<br>V<br>C |
|------------------|--------------|------------------|------|--------------------------------|---|-------------|
| 24               | FC5-4341-000 |                  | 1    | GUIDE, SEPARATION ROLLER       | iR2270F&iR2870F&iR4570F&iR3570F&iR2270CA&iR2870 CA&iR3570CA&iR4570 CA |             |
| 25               | FC6-2784-000 |                  | 1    | ROLLER, PAPER SEPARATION       | iR2270F&iR2870F&iR4570F&iR3570F&iR2270CA&iR2870 CA&iR3570CA&iR4570 CA |             |
| 26               | FC5-4338-000 |                  | 1    | COVER, REGISTRATION ADJUSTMENT | iR2270F&iR2870F&iR4570F&iR3570F&iR2270CA&iR2870 CA&iR3570CA&iR4570 CA |             |
| 27               | FM2-2956-000 |                  | 1    | PICK-UP ROLLER ASSEMBLY        | iR2270F&iR2870F&iR4570F&iR3570F&iR2270CA&iR2870 CA&iR3570CA&iR4570 CA |             |
| 501              | XD3-2200-102 |                  | 2    | PIN, PARALLEL                  | iR2270F&iR2870F&iR4570F&iR3570F&iR2270CA&iR2870 CA&iR3570CA&iR4570 CA |             |
| 502              | XB4-5300-806 |                  | 9    | SCREW,TAPPING, TRUSS HEAD M3X8 | iR2270F&iR2870F&iR4570F&iR3570F&iR2270CA&iR2870 CA&iR3570CA&iR4570 CA |             |
| 503              | XD2-1200-502 |                  | 1    | RETAINING RING(E-TRPE)         | iR2270F&iR2870F&iR4570F&iR3570F&iR2270CA&iR2870 CA&iR3570CA&iR4570 CA |             |

# FIGURE 164 PAPER FEEDER ASSEMBLY





| FIGURE & KEY NO. | PARTS NUMBER | R A N K | Q'TY | DESCRIPTION             | SERIAL NUMBER/<br>REMARKS   | S<br>V<br>C |
|------------------|--------------|---------|------|-------------------------|---|-------------|
| Fig.164          | FM2-2959-000 |         | 1    | PAPER FEEDER ASSEMBLY   | iR2270F&iR2870F&iR4570F&iR3570F&iR2270CA&iR2870 CA&iR3570CA&iR4570 CA |             |
| 1                | FC6-2785-000 |         | 1    | GEAR, 17T               | iR2270F&iR2870F&iR4570F&iR3570F&iR2270CA&iR2870 CA&iR3570CA&iR4570 CA |             |
| 2                | XF2-1605-940 |         | 1    | BELT, TIMING            | iR2270F&iR2870F&iR4570F&iR3570F&iR2270CA&iR2870 CA&iR3570CA&iR4570 CA |             |
| 3                | XF2-1607-440 |         | 1    | BELT, TIMING            | iR2270F&iR2870F&iR4570F&iR3570F&iR2270CA&iR2870 CA&iR3570CA&iR4570 CA |             |
| 4                | XF9-0727-000 |         | 1    | BELT, TIMING            | iR2270F&iR2870F&iR4570F&iR3570F&iR2270CA&iR2870 CA&iR3570CA&iR4570 CA |             |
| 5                | FC6-2781-000 |         | 1    | PULLEY, 28T             | iR2270F&iR2870F&iR4570F&iR3570F&iR2270CA&iR2870 CA&iR3570CA&iR4570 CA |             |
| 6                | FC6-2791-000 |         | 2    | TENSIONER               | iR2270F&iR2870F&iR4570F&iR3570F&iR2270CA&iR2870 CA&iR3570CA&iR4570 CA |             |
| 7                | FH6-5128-000 |         | 1    | CLUTCH                  | iR2270F&iR2870F&iR4570F&iR3570F&iR2270CA&iR2870 CA&iR3570CA&iR4570 CA |             |
| 8                | FC5-4354-000 |         | 1    | ROLLER, REGISTRATION    | iR2270F&iR2870F&iR4570F&iR3570F&iR2270CA&iR2870 CA&iR3570CA&iR4570 CA |             |
| 9                | FL2-2952-000 |         | 1    | CLUTCH                  | iR2270F&iR2870F&iR4570F&iR3570F&iR2270CA&iR2870 CA&iR3570CA&iR4570 CA |             |
| 10               | FB5-9466-000 |         | 1    | PULLEY, ONE-WAY         | iR2270F&iR2870F&iR4570F&iR3570F&iR2270CA&iR2870 CA&iR3570CA&iR4570 CA |             |
| 11               | FB5-9467-020 |         | 1    | ROLLER, PAPER FEEDER, 1 | iR2270F&iR2870F&iR4570F&iR3570F&iR2270CA&iR2870 CA&iR3570CA&iR4570 CA |             |

| FIGURE & KEY NO. | PARTS NUMBER | R A N K | Q'TY | DESCRIPTION                 | SERIAL NUMBER/ REMARKS  | S V C |
|------------------|--------------|---------|------|-----------------------------|---|-------|
| 12               | FB5-9468-020 |         | 1    | ROLLER, PAPER FEEDER, 2     | iR2270F&iR2870F&iR4570F&iR3570F&iR2270CA&iR2870 CA&iR3570CA&iR4570 CA |       |
| 13               | FB5-9469-020 |         | 1    | ROLLER, PAPER DELIVERY      | iR2270F&iR2870F&iR4570F&iR3570F&iR2270CA&iR2870 CA&iR3570CA&iR4570 CA |       |
| 14               | FM2-2961-000 |         | 1    | ESTRANGEMENT CLT ASSEMBLY   | iR2270F&iR2870F&iR4570F&iR3570F&iR2270CA&iR2870 CA&iR3570CA&iR4570 CA |       |
| 15               | FB5-9471-009 |         | 1    | DEFLECTOR, PAPER            | iR2270F&iR2870F&iR4570F&iR3570F&iR2270CA&iR2870 CA&iR3570CA&iR4570 CA |       |
| 16               | FL2-0965-000 |         | 1    | FLAG, REGISTRATION SENSOR   | iR2270F&iR2870F&iR4570F&iR3570F&iR2270CA&iR2870 CA&iR3570CA&iR4570 CA |       |
| 17               | FC5-4358-000 |         | 1    | FLAG, READ SENSOR           | iR2270F&iR2870F&iR4570F&iR3570F&iR2270CA&iR2870 CA&iR3570CA&iR4570 CA |       |
| 18               | FC5-4359-000 |         | 1    | FLAG, PAPER DELIVERY SENSOR | iR2270F&iR2870F&iR4570F&iR3570F&iR2270CA&iR2870 CA&iR3570CA&iR4570 CA |       |
| 19               | XF2-3616-660 |         | 1    | BELT                        | iR2270F&iR2870F&iR4570F&iR3570F&iR2270CA&iR2870 CA&iR3570CA&iR4570 CA |       |
| 20               | FB5-9477-000 |         | 3    | SPRING, TORSION             | iR2270F&iR2870F&iR4570F&iR3570F&iR2270CA&iR2870 CA&iR3570CA&iR4570 CA |       |
| 21               | FC5-2804-000 |         | 1    | ROLLER, PLATEN              | iR2270F&iR2870F&iR4570F&iR3570F&iR2270CA&iR2870 CA&iR3570CA&iR4570 CA |       |
| 22               | FB6-2705-000 |         | 1    | RING,E,FRANGE               | iR2270F&iR2870F&iR4570F&iR3570F&iR2270CA&iR2870 CA&iR3570CA&iR4570 CA |       |
| 23               | FC5-4353-000 |         | 1    | FLANGE, BELT                | iR2270F&iR2870F&iR4570F&iR3570F&iR2270CA&iR2870 CA&iR3570CA&iR4570 CA |       |

| FIGURE & KEY NO. | PARTS NUMBER | R A N K | Q'TY | DESCRIPTION                 | SERIAL NUMBER/<br>REMARKS   | S<br>V<br>C |
|------------------|--------------|---------|------|-----------------------------|---|-------------|
| 24               | FC5-4356-000 |         | 1    | PULLEY, TENSIONER           | iR2270F&iR2870F&iR4570F&iR3570F&iR2270CA&iR2870 CA&iR3570CA&iR4570 CA |             |
| 25               | FC5-4363-000 |         | 1    | GUIDE, PLATEN ROLLER, RIGHT | iR2270F&iR2870F&iR4570F&iR3570F&iR2270CA&iR2870 CA&iR3570CA&iR4570 CA |             |
| 26               | FC5-4376-000 |         | 1    | GUIDE, PLATEN               | iR2270F&iR2870F&iR4570F&iR3570F&iR2270CA&iR2870 CA&iR3570CA&iR4570 CA |             |
| 27               | FC5-4381-000 |         | 1    | SPRING, TORSION             | iR2270F&iR2870F&iR4570F&iR3570F&iR2270CA&iR2870 CA&iR3570CA&iR4570 CA |             |
| 28               | FB5-9460-009 |         | 1    | WINDOW, LED                 | iR2270F&iR2870F&iR4570F&iR3570F&iR2270CA&iR2870 CA&iR3570CA&iR4570 CA |             |
| 29               | FL2-0958-000 |         | 1    | PLATE, TENSIONER            | iR2270F&iR2870F&iR4570F&iR3570F&iR2270CA&iR2870 CA&iR3570CA&iR4570 CA |             |
| 30               | FL2-0959-000 |         | 1    | ARM, SWING BUSHING, FRONT   | iR2270F&iR2870F&iR4570F&iR3570F&iR2270CA&iR2870 CA&iR3570CA&iR4570 CA |             |
| 31               | FL2-0960-000 |         | 1    | ARM, SWING BUSHING, REAR    | iR2270F&iR2870F&iR4570F&iR3570F&iR2270CA&iR2870 CA&iR3570CA&iR4570 CA |             |
| 32               | FC5-4362-000 |         | 1    | GUIDE, PLATEN ROLLER, LEFT  | iR2270F&iR2870F&iR4570F&iR3570F&iR2270CA&iR2870 CA&iR3570CA&iR4570 CA |             |
| 33               | FC5-4382-000 |         | 1    | SPRING, TORSION             | iR2270F&iR2870F&iR4570F&iR3570F&iR2270CA&iR2870 CA&iR3570CA&iR4570 CA |             |
| 34               | FC6-2797-000 |         | 1    | FLANGE                      | iR2270F&iR2870F&iR4570F&iR3570F&iR2270CA&iR2870 CA&iR3570CA&iR4570 CA |             |
| 35               | FU5-3147-000 |         | 1    | PULLEY, 28T                 | iR2270F&iR2870F&iR4570F&iR3570F&iR2270CA&iR2870 CA&iR3570CA&iR4570 CA |             |

| FIGURE & KEY NO. | PARTS NUMBER | RANK | Q'TY | DESCRIPTION         | SERIAL NUMBER/REMARKS  | SVC |
|------------------|--------------|------|------|---------------------|--|-----|
| 36               | FU5-3148-000 |      | 1    | PULLEY, 18T         | iR2270F&iR2870F&iR4570F&iR3570F&iR2270CA&iR2870 CA&iR3570CA&iR4570 CA                    |     |
| 37               | FC6-2798-000 |      | 1    | KNOB, JAM CLEARING  | iR2270F&iR2870F&iR4570F&iR3570F&iR2270CA&iR2870 CA&iR3570CA&iR4570 CA                    |     |
| 38               | FU5-3150-000 |      | 1    | PULLEY, 56T/29T/21T | iR2270F&iR2870F&iR4570F&iR3570F&iR2270CA&iR2870 CA&iR3570CA&iR4570 CA                    |     |
| 39               | FF3-4303-000 |      | 1    | CABLE, PATH SENSOR  | iR2270F&iR2870F&iR4570F&iR3570F&iR2270CA&iR2870 CA&iR3570CA&iR4570 CA<br>J13,302,303,304 |     |
| 40               | FG3-3303-000 |      | 1    | LED PCB UNIT        | iR2270F&iR2870F&iR4570F&iR3570F&iR2270CA&iR2870 CA&iR3570CA&iR4570 CA J201               |     |
| 41               | FU5-2364-000 |      | 1    | SPRING, COMPRESSION | iR2270F&iR2870F&iR4570F&iR3570F&iR2270CA&iR2870 CA&iR3570CA&iR4570 CA                    |     |
| 42               | FU5-1171-000 |      | 2    | BUSHING             | iR2270F&iR2870F&iR4570F&iR3570F&iR2270CA&iR2870 CA&iR3570CA&iR4570 CA                    |     |
| 43               | FS7-2666-000 |      | 1    | SPRING, TENSION     | iR2270F&iR2870F&iR4570F&iR3570F&iR2270CA&iR2870 CA&iR3570CA&iR4570 CA                    |     |
| 44               | FU5-0629-000 |      | 1    | GEAR, 19T           | iR2270F&iR2870F&iR4570F&iR3570F&iR2270CA&iR2870 CA&iR3570CA&iR4570 CA                    |     |
| 45               | FU5-0630-000 |      | 1    | GEAR, 30T           | iR2270F&iR2870F&iR4570F&iR3570F&iR2270CA&iR2870 CA&iR3570CA&iR4570 CA                    |     |
| 46               | FU5-1169-000 |      | 4    | BUSHING             | iR2270F&iR2870F&iR4570F&iR3570F&iR2270CA&iR2870 CA&iR3570CA&iR4570 CA                    |     |
| 47               | FU5-1170-000 |      | 2    | BUSHING             | iR2270F&iR2870F&iR4570F&iR3570F&iR2270CA&iR2870 CA&iR3570CA&iR4570 CA                    |     |

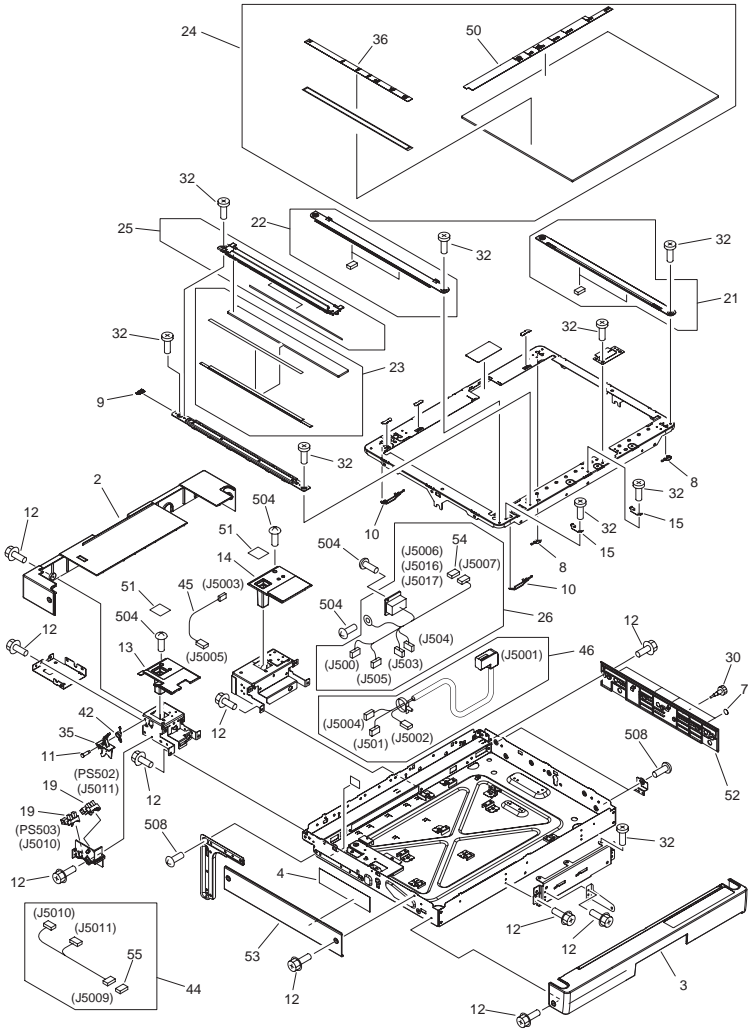
| FIGURE & KEY NO. | PARTS NUMBER | R A N K | Q'TY | DESCRIPTION               | SERIAL NUMBER/ REMARKS   | S V C |
|------------------|--------------|---------|------|---------------------------|--|-------|
| 48               | FC5-4368-000 |         | 1    | PAD, PAPER SEPARATION     | iR2270F&iR2870F&iR4570F&iR3570F&iR2270CA&iR2870CA&iR3570CA&iR4570CA                      |       |
| 49               | XG9-0507-000 |         | 2    | BEARING, BALL, MF128ZZ    | iR2270F&iR2870F&iR4570F&iR3570F&iR2270CA&iR2870CA&iR3570CA&iR4570CA                      |       |
| 50               | FU5-3146-000 |         | 2    | PULLEY, 27T               | iR2270F&iR2870F&iR4570F&iR3570F&iR2270CA&iR2870CA&iR3570CA&iR4570CA                      |       |
| 51               | FL2-0962-000 |         | 1    | GUIDE, PAPER SEPARATION   | iR2270F&iR2870F&iR4570F&iR3570F&iR2270CA&iR2870CA&iR3570CA&iR4570CA                      |       |
| 52               | FL2-0963-000 |         | 1    | HOLDER, SEPARATION PAD,1  | iR2270F&iR2870F&iR4570F&iR3570F&iR2270CA&iR2870CA&iR3570CA&iR4570CA                      |       |
| 53               | FL2-0964-000 |         | 1    | HOLDER, SEPARATION PAD, 2 | iR2270F&iR2870F&iR4570F&iR3570F&iR2270CA&iR2870CA&iR3570CA&iR4570CA                      |       |
| 54               | FU5-3337-000 |         | 1    | PULLEY, 28T,GEAR, 15T     | iR2270F&iR2870F&iR4570F&iR3570F&iR2270CA&iR2870CA&iR3570CA&iR4570CA                      |       |
| 55               | FU6-0673-000 |         | 1    | GEAR, 54T/39T             | iR2270F&iR2870F&iR4570F&iR3570F&iR2270CA&iR2870CA&iR3570CA&iR4570CA                      |       |
| 56               | WG8-5624-000 |         | 4    | IC, PHOTO INTERRUPTER     | iR2270F&iR2870F&iR4570F&iR3570F&iR2270CA&iR2870CA&iR3570CA&iR4570CA P12,3,4 J302,303,304 |       |
| 57               | XF2-1604-435 |         | 1    | BELT, TIMING              | iR2270F&iR2870F&iR4570F&iR3570F&iR2270CA&iR2870CA&iR3570CA&iR4570CA                      |       |
| 58               | FL2-0968-000 |         | 1    | HOLDER, GUIDE ROLLER      | iR2270F&iR2870F&iR4570F&iR3570F&iR2270CA&iR2870CA&iR3570CA&iR4570CA                      |       |
| 59               | FC5-4367-000 |         | 1    | MOUNT, SPRING, PAD        | iR2270F&iR2870F&iR4570F&iR3570F&iR2270CA&iR2870CA&iR3570CA&iR4570CA                      |       |

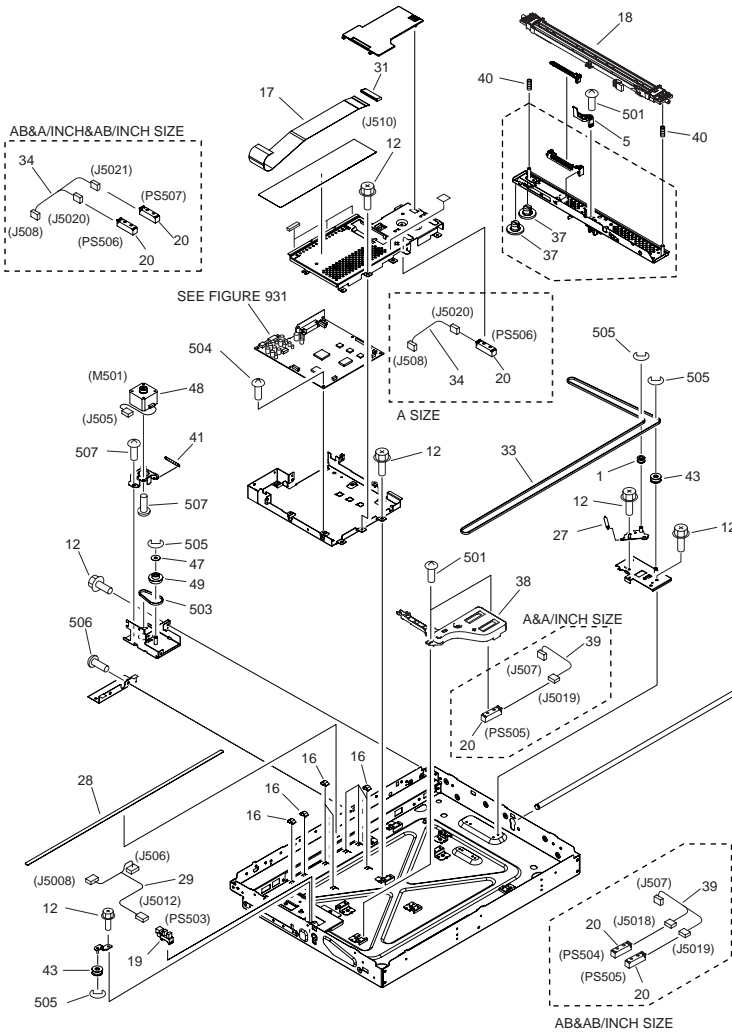


| FIGURE & KEY NO. | PARTS NUMBER | R A N K | Q'TY | DESCRIPTION             | SERIAL NUMBER/ REMARKS  | S V C |
|------------------|--------------|---------|------|-------------------------|---|-------|
| 60               | FS2-9010-000 |         | 1    | BELT, TIMING            | iR2270F&iR2870F&iR4570F&iR3570F&iR2270CA&iR2870 CA&iR3570CA&iR4570 CA       |       |
| 61               | FC5-4373-000 |         | 1    | SHEET, PAPER FEED       | iR2270F&iR2870F&iR4570F&iR3570F&iR2270CA&iR2870 CA&iR3570CA&iR4570 CA       |       |
| 62               | FC5-4374-000 |         | 5    | ROLLER, GUIDE           | iR2270F&iR2870F&iR4570F&iR3570F&iR2270CA&iR2870 CA&iR3570CA&iR4570 CA       |       |
| 63               | FS1-9010-020 |         | 2    | SCREW, STEPPED, M3      | iR2270F&iR2870F&iR4570F&iR3570F&iR2270CA&iR2870 CA&iR3570CA&iR4570 CA       |       |
| 64               | FC5-4372-020 |         | 1    | SHAFT, GUIDE ROLLER     | iR2270F&iR2870F&iR4570F&iR3570F&iR2270CA&iR2870 CA&iR3570CA&iR4570 CA       |       |
| 65               | FC5-4365-000 |         | 1    | PLATE, SEPARATION GUIDE | iR2270F&iR2870F&iR4570F&iR3570F&iR2270CA&iR2870 CA&iR3570CA&iR4570 CA       |       |
| 66               | FS7-2664-000 |         | 2    | SPRING, TENSION         | iR2270F&iR2870F&iR4570F&iR3570F&iR2270CA&iR2870 CA&iR3570CA&iR4570 CA       |       |
| 67               | FU5-3336-000 |         | 1    | PULLEY,36T/28T          | iR2270F&iR2870F&iR4570F&iR3570F&iR2270CA&iR2870 CA&iR3570CA&iR4570 CA       |       |
| 68               | XF2-1607-640 |         | 1    | BELT, TIMING            | iR2270F&iR2870F&iR4570F&iR3570F&iR2270CA&iR2870 CA&iR3570CA&iR4570 CA       |       |
| 69               | FU5-3149-000 |         | 1    | PULLEY, 23T             | iR2270F&iR2870F&iR4570F&iR3570F&iR2270CA&iR2870 CA&iR3570CA&iR4570 CA       |       |
| 70               | FH5-1129-000 |         | 1    | MOTOR, STEPPING, DC     | iR2270F&iR2870F&iR4570F&iR3570F&iR2270CA&iR2870 CA&iR3570CA&iR4570 CA M2 J8 |       |
| 71               | FH5-1128-000 |         | 1    | MOTOR, STEPPING, DC     | iR2270F&iR2870F&iR4570F&iR3570F&iR2270CA&iR2870 CA&iR3570CA&iR4570 CA M1 J7 |       |

| FIGURE & KEY NO. | PARTS NUMBER | R A N K | Q'TY | DESCRIPTION                    | SERIAL NUMBER/<br>REMARKS   | S<br>V<br>C |
|------------------|--------------|---------|------|--------------------------------|---|-------------|
| 72               | FU5-1172-000 |         | 4    | BUSHING                        | iR2270F&iR2870F&iR4570F&iR3570F&iR2270CA&iR2870CA&iR3570CA&iR4570CA |             |
| 73               | FC5-4424-000 |         | 4    | CLIP                           | iR2270F&iR2870F&iR4570F&iR3570F&iR2270CA&iR2870CA&iR3570CA&iR4570CA |             |
| 74               | FC5-4425-000 |         | 8    | CLIP                           | iR2270F&iR2870F&iR4570F&iR3570F&iR2270CA&iR2870CA&iR3570CA&iR4570CA |             |
| 75               | XA9-0894-000 |         | 1    | SCREW,M3X6                     | iR2270F&iR2870F&iR4570F&iR3570F&iR2270CA&iR2870CA&iR3570CA&iR4570CA |             |
| 501              | XD2-1100-642 |         | 3    | RING,E                         | iR2270F&iR2870F&iR4570F&iR3570F&iR2270CA&iR2870CA&iR3570CA&iR4570CA |             |
| 502              | XD2-2100-502 |         | 1    | GRIP RING                      | iR2270F&iR2870F&iR4570F&iR3570F&iR2270CA&iR2870CA&iR3570CA&iR4570CA |             |
| 503              | XB4-5400-809 |         | 4    | SCREW, TAP, BINDING HEAD, M3X8 | iR2270F&iR2870F&iR4570F&iR3570F&iR2270CA&iR2870CA&iR3570CA&iR4570CA |             |
| 504              | XD2-1100-322 |         | 4    | RETAINING RING (E-TYPE)        | iR2270F&iR2870F&iR4570F&iR3570F&iR2270CA&iR2870CA&iR3570CA&iR4570CA |             |
| 505              | XB1-2400-606 |         | 6    | SCREW, MACHINE MX6             | iR2270F&iR2870F&iR4570F&iR3570F&iR2270CA&iR2870CA&iR3570CA&iR4570CA |             |
| 506              | XB1-2300-306 |         | 2    | SCREW,MACH., TRUSS HEAD,M3X3   | iR2270F&iR2870F&iR4570F&iR3570F&iR2270CA&iR2870CA&iR3570CA&iR4570CA |             |
| 507              | XD3-2200-102 |         | 1    | PIN, PARALLEL                  | iR2270F&iR2870F&iR4570F&iR3570F&iR2270CA&iR2870CA&iR3570CA&iR4570CA |             |

# FIGURE 210 READER ASSEMBLY



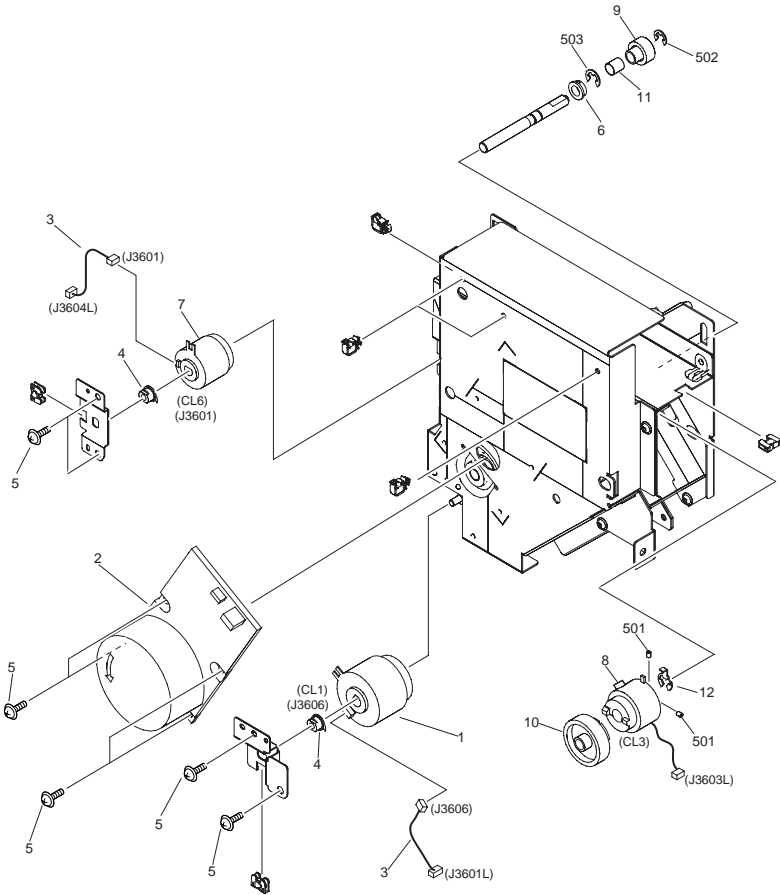


| FIGURE & KEY NO. | PARTS NUMBER | RANK | Q'TY | DESCRIPTION                 | SERIAL NUMBER/REMARKS | SVC |
|------------------|--------------|------|------|-----------------------------|-----------------------|-----|
| Fig.210          | NPN          |      | RF   | READER ASSEMBLY             |                       |     |
| 1                | FB6-1321-000 |      | 1    | PULLEY, TENSION             |                       |     |
| 2                | FC6-2759-000 |      | 1    | PANEL, READER, REAR         |                       |     |
| 3                | FC6-2765-000 |      | 1    | PANEL, READER, FRONT        |                       |     |
| 4                | FL2-2999-000 |      | 1    | LABEL, SERVICE              |                       |     |
| 5                | FC5-0792-000 |      | 1    | RETAINER, BELT              |                       |     |
| 7                | FC5-0166-000 |      | 4    | SEAL, BLANKING              |                       |     |
| 8                | FC5-1426-000 |      | 2    | GUIDE, CARRIAGE, RIGHT      |                       |     |
| 9                | FC5-1427-000 |      | 1    | COVER, EDGE                 |                       |     |
| 10               | FC5-1439-000 |      | 2    | GUIDE, CARRIAGE, LEFT       |                       |     |
| 11               | FS5-9227-020 |      | 1    | SCREW, STEPPED, M4          |                       |     |
| 12               | XA9-1386-000 |      | 69   | SCREW, RS, M3X8             |                       |     |
| 13               | FC5-1446-000 |      | 1    | PANEL, DF SUPPORT, LEFT     |                       |     |
| 14               | FC5-1447-000 |      | 1    | PANEL, DF SUPPORT, RIGHT    |                       |     |
| 15               | FC5-1473-000 |      | 2    | RETAINER, GLASS             |                       |     |
| 16               | FC5-1499-000 |      | 7    | PLATE, GROUNDING            |                       |     |
| 17               | FH2-7174-000 |      | 1    | CABLE, FLEXIBLE FLAT        |                       |     |
| 18               | FL2-2997-000 |      | 1    | CONTACT IMAGE SENSOR UNIT   |                       |     |
| 19               | WG8-5624-000 |      | 3    | IC, PHOTO INTERRUPTER       |                       |     |
| 20               | FH7-7569-000 |      | 4    | DOCUMENT SIZE SENSOR UNIT   |                       |     |
| 21               | FL2-0127-000 |      | 1    | RETAINER, GLASS, RIGHT      |                       |     |
| 22               | FL2-0128-000 |      | 1    | RETAINER, GLASS, LEFT       |                       |     |
| 23               | FL2-2942-000 |      | 1    | GLASS, READER               |                       |     |
| 24               | FL2-2944-000 |      | 1    | GLASS, COPYBOARD            | A INCH SIZE           |     |
| 24               | FL2-2945-000 |      | 1    | GLASS, COPYBOARD            | A SIZE                |     |
| 24               | FL2-2946-000 |      | 1    | GLASS, COPYBOARD            | AB INCH SIZE          |     |
| 24               | FL2-2943-000 |      | 1    | GLASS, COPYBOARD            | AB SIZE               |     |
| 25               | FL2-0279-000 |      | 1    | GUIDE, PAPER                |                       |     |
| 26               | FG3-3152-000 |      | 1    | CABLE, READER               |                       |     |
| 27               | FU5-2103-000 |      | 1    | SPRING, TENSION             |                       |     |
| 28               | FC5-1492-000 |      | 1    | PLATE, RAIL                 |                       |     |
| 29               | FG3-3153-000 |      | 1    | CABLE, HOME POSITION SENSOR |                       |     |

| FIGURE & KEY NO. | PARTS NUMBER | R A N K | Q'TY | DESCRIPTION                 | SERIAL NUMBER/ REMARKS           | S V C |
|------------------|--------------|---------|------|-----------------------------|----------------------------------|-------|
| 30               | FU5-9006-020 |         | 1    | SCREW, FIXED, M4            |                                  |       |
| 31               | FH7-9334-000 |         | 1    | CORE, FERRITE               |                                  |       |
| 32               | XA9-1415-000 |         | 15   | SCREW, FLAT HEAD, M4        |                                  |       |
| 33               | XF9-0743-000 |         | 1    | BELT, TIMING                |                                  |       |
| 34               | FG3-3795-000 |         | 1    | CABLE, SIZE DETECT          | A SIZE                           |       |
| 34               | FG3-3768-000 |         | 1    | CABLE, SIZE DETECT          | AB SIZE&A INCH SIZE&AB INCH SIZE |       |
| 35               | FC6-2763-000 |         | 1    | FLAG, SENSOR                |                                  |       |
| 36               | FU5-8003-000 |         | 1    | PLATE, WIDTH INDEX          | A INCH SIZE                      |       |
| 36               | FU5-8005-000 |         | 1    | PLATE, WIDTH INDEX          | A SIZE                           |       |
| 36               | FU5-8007-000 |         | 1    | PLATE, WIDTH INDEX          | AB INCH SIZE                     |       |
| 36               | FU5-8001-000 |         | 1    | PLATE, WIDTH INDEX          | AB SIZE                          |       |
| 37               | FB3-2411-000 |         | 2    | PIN, SLIDE                  |                                  |       |
| 38               | FC6-2764-000 |         | 1    | HOLDER, SIZE DETECT         |                                  |       |
| 39               | FG3-3793-000 |         | 1    | CABLE, MAIN SIZE DETECT     | A INCH SIZE                      |       |
| 39               | FG3-3794-000 |         | 1    | CABLE, MAIN SIZE DETECT     | A SIZE                           |       |
| 39               | FG3-3767-000 |         | 1    | CABLE, MAIN SIZE DETECT     | AB SIZE&AB INCH SIZE             |       |
| 40               | FU6-2236-000 |         | 2    | SPRING, OMPRESSION          |                                  |       |
| 41               | FU5-2105-000 |         | 1    | SPRING, TENSION             |                                  |       |
| 42               | FU5-2057-000 |         | 1    | SPRING, TORSION             |                                  |       |
| 43               | FU5-3328-000 |         | 2    | PULLEY,FOLLOWER             |                                  |       |
| 44               | FG3-3153-000 |         | 1    | CABLE, HOME POSITION SENSOR |                                  |       |
| 45               | FG3-3158-000 |         | 1    | CABLE, HEATER CONNECTING    |                                  |       |
| 46               | FG3-3766-000 |         | 1    | CABLE, POWER SUPPLY         |                                  |       |
| 47               | FB6-1339-000 |         | 1    | FLANGE                      |                                  |       |
| 48               | FH5-1028-000 |         | 1    | MOTOR, STEPPING, DC         |                                  |       |
| 49               | FU5-3030-000 |         | 1    | PULLEY, 24T/41T             |                                  |       |
| 50               | FU5-8551-000 |         | 1    | PLATE, LENGTH INDEX         | A INCH SIZE                      |       |
| 50               | FU5-8552-000 |         | 1    | PLATE, LENGTH INDEX         | A SIZE                           |       |
| 50               | FU5-8553-000 |         | 1    | PLATE, LENGTH INDEX         | AB INCH SIZE                     |       |
| 50               | FU5-8550-000 |         | 1    | PLATE, LENGTH INDEX         | AB SIZE                          |       |
| 51               | FC5-4427-000 |         | 1    | SEAT, BLANKING              |                                  |       |

| FIGURE<br>& KEY<br>NO. | PARTS<br>NUMBER | R<br>A<br>N<br>K | Q'TY | DESCRIPTION                 | SERIAL NUMBER/<br>REMARKS | S<br>V<br>C |
|------------------------|-----------------|------------------|------|-----------------------------|---------------------------|-------------|
| 52                     | FC5-1442-000    |                  | 1    | PANEL, READER, RIGHT        |                           |             |
| 53                     | FC5-1443-000    |                  | 1    | PANEL, READER, LEFT         |                           |             |
| 54                     | VS1-7177-004    |                  | 1    | CONNECTOR, SNAP TIGHT, BK   |                           |             |
| 55                     | VS1-7177-006    |                  | 1    | CONNECTOR, SNAP TIGHT, BK   |                           |             |
| 501                    | XB2-8300-805    |                  | 1    | SCREW, MACH, PAN HEAD, M3X8 |                           |             |
| 503                    | XF2-4606-740    |                  | 1    | BELT, TIMING, COGGED        |                           |             |
| 504                    | XB1-2300-605    |                  | 3    | SCREW, MACHINE M3X6         |                           |             |
| 505                    | XD2-1100-502    |                  | 4    | RETAINING RING (E-TYPE)     |                           |             |
| 507                    | XB6-7300-407    |                  | 4    | SCREW, TP, M3X4             |                           |             |

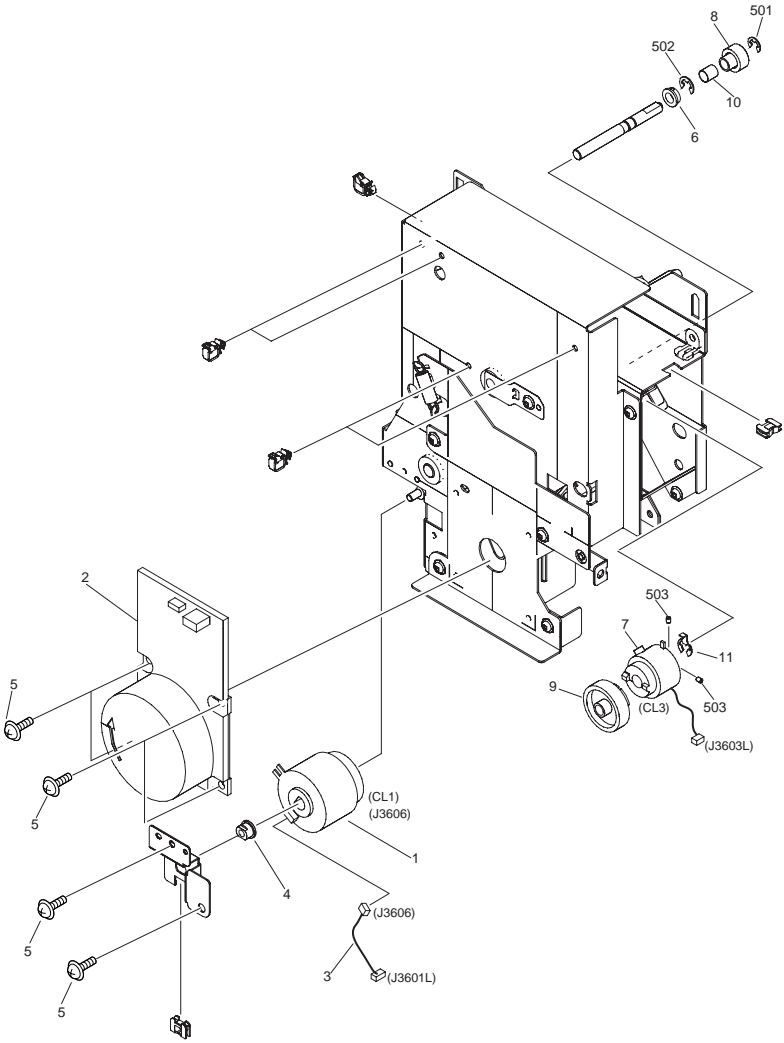
# FIGURE 250 MAIN DRIVE ASSEMBLY





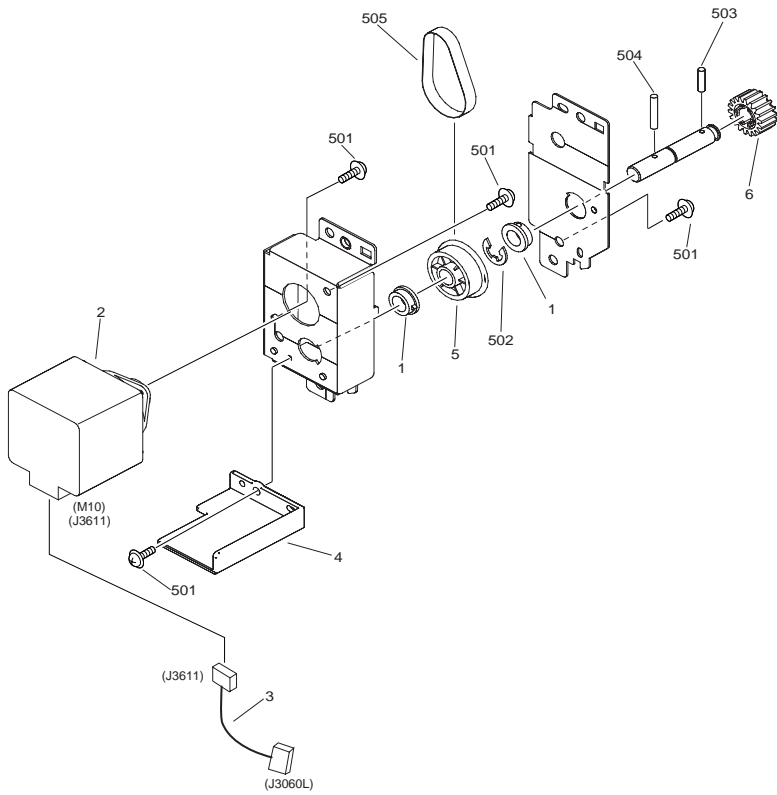
| FIGURE & KEY NO. | PARTS NUMBER | RANK | Q'TY | DESCRIPTION              | SERIAL NUMBER/REMARKS  | SVC |
|------------------|--------------|------|------|--------------------------|------------------------|-----|
| Fig.250          | FM2-0241-000 |      | 1    | MAIN DRIVE ASSEMBLY      |                        |     |
| 1                | FH6-5076-000 |      | 1    | CLUTCH, ELECTRO MAGNETIC | CL1 J3606              |     |
| 2                | FK2-0385-000 |      | 1    | MOTOR, DC                |                        |     |
| 3                | FM2-2842-000 |      | 2    | CABLE, CLUTCH            | J3606,3601L,3601,3604L |     |
| 4                | FS5-1947-000 |      | 2    | BUSHING                  |                        |     |
| 5                | XA9-1164-000 |      | 8    | SCREW, RS, M3X6.5        |                        |     |
| 6                | FA9-2112-000 |      | 1    | BUSHING, PL              |                        |     |
| 7                | FH6-5005-000 |      | 1    | CLUTCH, ELECTRO MAGNETIC | CL6 J3601              |     |
| 8                | FK2-0404-000 |      | 1    | CLUTCH, ELECTRO MAGNETIC | CL3 J3603L             |     |
| 9                | FU5-0087-000 |      | 1    | GEAR, 20T                |                        |     |
| 10               | FU5-0098-000 |      | 1    | GEAR, 43T                |                        |     |
| 11               | FU5-2079-000 |      | 1    | SPRING                   |                        |     |
| 12               | FB5-5039-000 |      | 1    | RING, E                  |                        |     |
| 501              | XB6-2300-409 |      | 2    | SETSCREW, M3X4           |                        |     |
| 502              | XD2-1100-502 |      | 1    | RETAINING RING(E-TYPE)   |                        |     |
| 503              | XD2-1100-642 |      | 1    | RING, E                  |                        |     |

# FIGURE 251 MAIN DRIVE ASSEMBLY



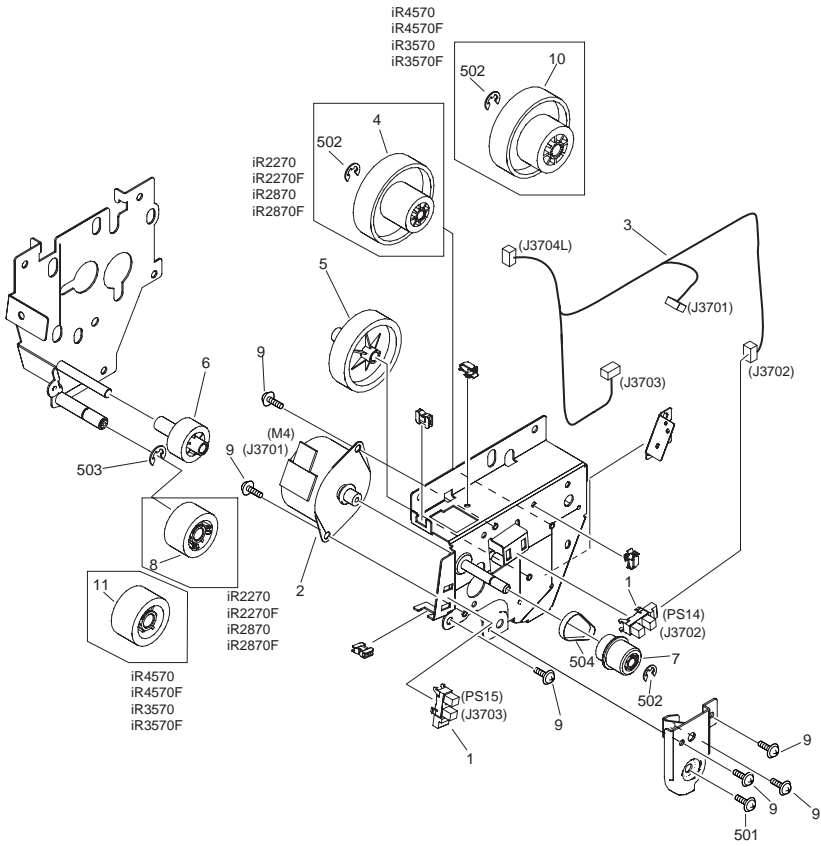
| FIGURE & KEY NO. | PARTS NUMBER | RANK | Q'TY | DESCRIPTION              | SERIAL NUMBER/REMARKS | SVC |
|------------------|--------------|------|------|--------------------------|-----------------------|-----|
| Fig.251          | FM2-1772-000 |      | 1    | MAIN DRIVE ASSEMBLY      |                       |     |
| 1                | FH6-5076-000 |      | 1    | CLUTCH, ELECTRO MAGNETIC | CL1 J3606             |     |
| 2                | FK2-0362-000 |      | 1    | MOTOR, DC                |                       |     |
| 3                | FM2-2842-000 |      | 1    | CABLE, CLUTCH            | J3606,3601L           |     |
| 4                | FS5-1947-000 |      | 1    | BUSHING                  |                       |     |
| 5                | XA9-1164-000 |      | 6    | SCREW, RS, M3X6.5        |                       |     |
| 6                | FA9-2112-000 |      | 1    | BUSHING, PL              |                       |     |
| 7                | FK2-0404-000 |      | 1    | CLUTCH, ELECTRO MAGNETIC | CL3 3603L             |     |
| 8                | FU5-0087-000 |      | 1    | GEAR, 20T                |                       |     |
| 9                | FU5-0098-000 |      | 1    | GEAR, 43T                |                       |     |
| 10               | FU5-2079-000 |      | 1    | SPRING                   |                       |     |
| 11               | FB5-5039-000 |      | 1    | RING, E                  |                       |     |
| 501              | XD2-1100-502 |      | 1    | RETAINING RING(E-TYPE)   |                       |     |
| 502              | XD2-1100-642 |      | 1    | RING, E                  |                       |     |
| 503              | XB6-2300-409 |      | 2    | SETSCREW, M3X4           |                       |     |

FIGURE 261  
FIXING PAPER DELIVERY DRIVE ASS'Y



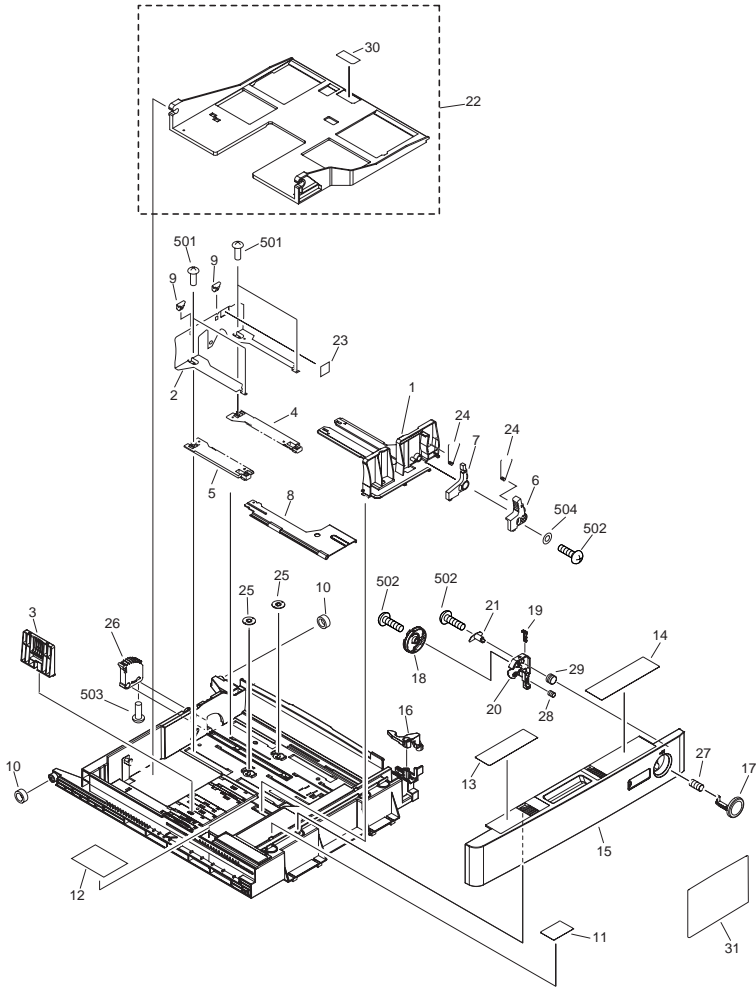
| FIGURE & KEY NO. | PARTS NUMBER | RANK | Q'TY | DESCRIPTION                   | SERIAL NUMBER/REMARKS                      | SVC |
|------------------|--------------|------|------|-------------------------------|--|-----|
| Fig.261          | NPN          |      | RF   | FIXINGPAPERDELIVERY,DRIVEASSY |  |     |
| 1                | FA9-2112-000 |      | 2    | BUSHING, PL                   | iR4570&iR4570F&iR3570 &iR3570F             |     |
| 2                | FL2-3266-000 |      | 1    | MOTOR, STEPPING, DC           | iR4570&iR4570F&iR3570 &iR3570F M10 J3611   |     |
| 3                | FM2-2838-000 |      | 1    | CABLE, DUPLEXING MOTOR        | iR4570&iR4570F&iR3570 &iR3570F J3060L,3611 |     |
| 4                | FC5-7208-000 |      | 1    | COVER, DUPLEX CONNECTOR       | iR4570&iR4570F&iR3570 &iR3570F             |     |
| 5                | FU6-0024-000 |      | 1    | PULLEY, 40T                   | iR4570&iR4570F&iR3570 &iR3570F             |     |
| 6                | FU6-0029-000 |      | 1    | GEAR, 18T                     | iR4570&iR4570F&iR3570 &iR3570F             |     |
| 501              | XB6-7300-607 |      | 4    | SCREW, TP, M3X6               | iR4570&iR4570F&iR3570 &iR3570F             |     |
| 502              | XD2-1100-642 |      | 1    | RING,E                        | iR4570&iR4570F&iR3570 &iR3570F             |     |
| 503              | XD3-2200-122 |      | 1    | PIN, DOWEL                    | iR4570&iR4570F&iR3570 &iR3570F             |     |
| 504              | XD3-2200-182 |      | 1    | PIN, DOWEL                    | iR4570&iR4570F&iR3570 &iR3570F             |     |
| 505              | XF2-1605-760 |      | 1    | BELT, TIMING                  | iR4570&iR4570F&iR3570 &iR3570F             |     |

# FIGURE 281 FIXING DELIVERY DRIVE ASSEMBLY



| FIGURE & KEY NO. | PARTS NUMBER | R<br>A<br>N<br>K | Q'TY | DESCRIPTION                    | SERIAL NUMBER/<br>REMARKS         | S<br>V<br>C |
|------------------|--------------|------------------|------|--------------------------------|-----------------------------------|-------------|
| Fig.281          | FM2-0242-000 |                  | 1    | FIXING DELIVERY DRIVE ASSEMBLY | iR2270&iR2270F&iR2870<br>&iR2870F |             |
| Fig.281          | FM2-1771-000 |                  | 1    | FIXING DELIVERY DRIVE ASSEMBLY | iR4570&iR4570F&iR3570<br>&iR3570F |             |
| 1                | FK2-0149-000 |                  | 2    | PHOTO-INTERRUPTER, TLP1253(C6) | PS14 J3702,PS15 J3703             |             |
| 2                | FK2-0365-000 |                  | 1    | MOTOR, STEPPING, DC            | M4 J3701                          |             |
| 3                | FM2-2816-000 |                  | 1    | CABLE, FIXING DRIVE            | J3701,3702,3703,3704L             |             |
| 4                | FU5-0095-000 |                  | 1    | GEAR, 17T/103T                 | iR2270&iR2270F&iR2870<br>&iR2870F |             |
| 5                | FU5-0096-000 |                  | 1    | GEAR, 36T                      |                                   |             |
| 6                | FU5-0097-000 |                  | 1    | GEAR, 17T                      |                                   |             |
| 7                | FU5-0101-000 |                  | 1    | GEAR, 20T/PULLEY 28T           |                                   |             |
| 8                | FU5-0126-000 |                  | 1    | GEAR, 21T                      | iR2270&iR2270F&iR2870<br>&iR2870F |             |
| 9                | XA9-1164-000 |                  | 6    | SCREW,RS,M3X6.5                |                                   |             |
| 10               | FU6-0019-000 |                  | 1    | GEAR, 24T/103T                 | iR4570&iR4570F&iR3570<br>&iR3570F |             |
| 11               | FU6-0020-000 |                  | 1    | GEAR, 24T                      | iR4570&iR4570F&iR3570<br>&iR3570F |             |
| 501              | XB6-7300-609 |                  | 1    | SCREW, MACH,PAN HEAD, M3X8     |                                   |             |
| 502              | XD2-1100-502 |                  | 2    | RETAINING RING(E-TYPE)         |                                   |             |
| 503              | XD2-1100-642 |                  | 1    | RING,E                         |                                   |             |
| 504              | XF2-4104-040 |                  | 1    | BELT, TIMING                   |                                   |             |

FIGURE 300  
CASSETTE(MIDDLE)

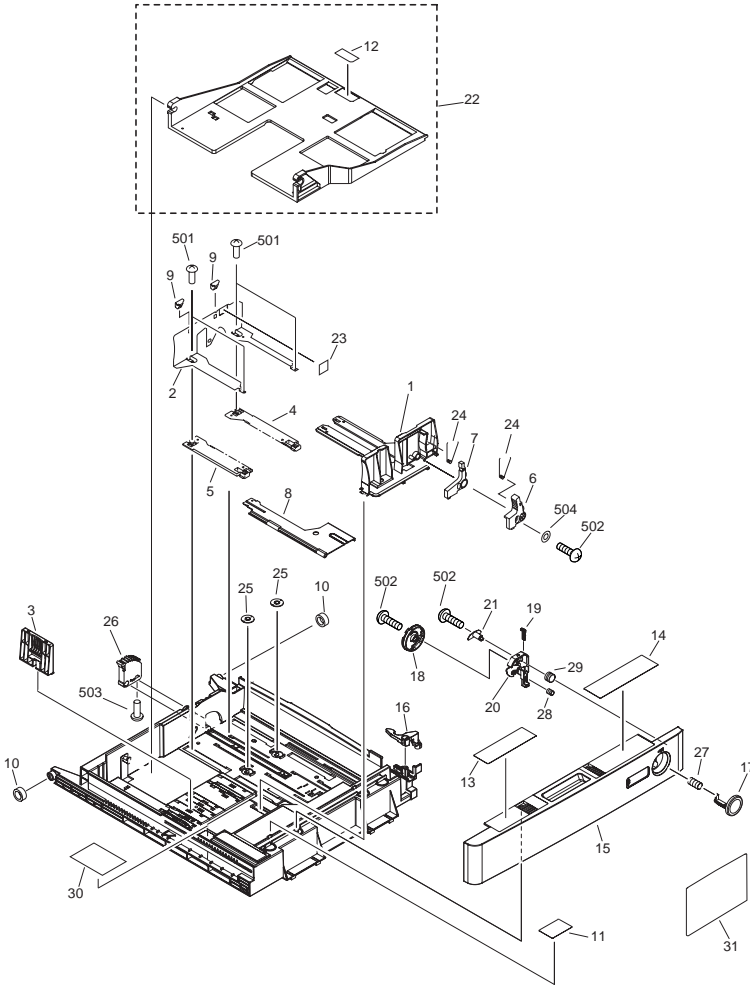




| FIGURE & KEY NO. | PARTS NUMBER | R<br>A<br>N<br>K | Q'TY | DESCRIPTION                | SERIAL NUMBER/<br>REMARKS | S<br>V<br>C |
|------------------|--------------|------------------|------|----------------------------|---------------------------|-------------|
| Fig.300          | NPN          |                  | RF   | CASSETTE                   | MIDDLE                    |             |
| 1                | FB6-3478-000 |                  | 1    | PLATE, SIDE GUIDE, FRONT   |                           |             |
| 2                | FB6-3479-000 |                  | 1    | PLATE, SIDE GUIDE, REAR    |                           |             |
| 3                | FB6-3480-000 |                  | 1    | PLATE, END GUIDE           |                           |             |
| 4                | FB6-3481-000 |                  | 1    | RACK, 1                    |                           |             |
| 5                | FB6-3482-000 |                  | 1    | RACK, 2                    |                           |             |
| 6                | FB6-3483-000 |                  | 1    | KNOB, SIDE GUIDE PLATE, 1  |                           |             |
| 7                | FB6-3484-000 |                  | 1    | KNOB, SIDE GUIDE PLATE, 2  |                           |             |
| 8                | FB6-3486-000 |                  | 1    | PLATE, LIFTER              |                           |             |
| 9                | FB6-3490-000 |                  | 2    | CLAW, SIDE PLATE GUIDE     |                           |             |
| 10               | FB6-3506-000 |                  | 2    | COLLAR, CASSETTE SWING     |                           |             |
| 11               | FC5-0583-000 |                  | 1    | LABEL, PAPER SET           |                           |             |
| 12               | FC5-0585-000 |                  | 1    | LABEL, PAPER SET CAUTION   |                           |             |
| 13               | FC5-0591-000 |                  | 1    | LABEL, SIZE CHANGE         |                           |             |
| 14               | FC5-0598-000 |                  | 1    | LABEL, DIAL SET            |                           |             |
| 15               | FC5-0622-000 |                  | 1    | PANEL, CASSETTE FRONT      |                           |             |
| 16               | FC5-0635-000 |                  | 1    | ARM, LOCK                  |                           |             |
| 17               | FC5-0636-000 |                  | 1    | BUTTON, PUSH               |                           |             |
| 18               | FC5-1422-020 |                  | 1    | DIAL, SIZE DETECT          |                           |             |
| 19               | FC5-1423-000 |                  | 1    | SLIDER, CONVERT            |                           |             |
| 20               | FC5-1424-020 |                  | 1    | HOLDER, DIAL               |                           |             |
| 21               | FC5-1425-000 |                  | 1    | PIN, FLOAT GUIDE           |                           |             |
| 22               | FF6-2064-000 |                  | 1    | PLATE, PAPER LIFTING       |                           |             |
| 23               | FS6-8116-000 |                  | 1    | LABEL, 'PAPER HEIGHT'      |                           |             |
| 24               | FS7-2805-000 |                  | 2    | SPRING, TORSION            |                           |             |
| 25               | FU3-0293-000 |                  | 2    | GEAR, 16T                  |                           |             |
| 26               | FU3-0294-000 |                  | 1    | GEAR, 7T                   |                           |             |
| 27               | FU5-2032-000 |                  | 1    | SPRING, COMPRESSION        |                           |             |
| 28               | FU5-2097-000 |                  | 1    | SPRING, COMPRESSION        |                           |             |
| 29               | FU5-2104-000 |                  | 1    | SPRING, COMPRESSION        |                           |             |
| 30               | FB6-3499-000 |                  | 1    | SHEET, SEPARATION          |                           |             |
| 31               | FC5-7216-000 |                  | 1    | LABEL, CASSETTE SIZE, DIAL |                           |             |

| FIGURE<br>& KEY<br>NO. | PARTS<br>NUMBER | R<br>A<br>N<br>K | Q'TY | DESCRIPTION     | SERIAL NUMBER/<br>REMARKS | S<br>V<br>C |
|------------------------|-----------------|------------------|------|-----------------|---------------------------|-------------|
| 501                    | XB2-8300-607    |                  | 4    | SCREW, M3X6, S  |                           |             |
| 502                    | XB4-5300-807    |                  | 3    | SCREW, P, M3X8  |                           |             |
| 503                    | XB6-7300-807    |                  | 1    | SCREW, TP, M3X8 |                           |             |
| 504                    | XD1-1104-135    |                  | 1    | WASHER,COP      |                           |             |

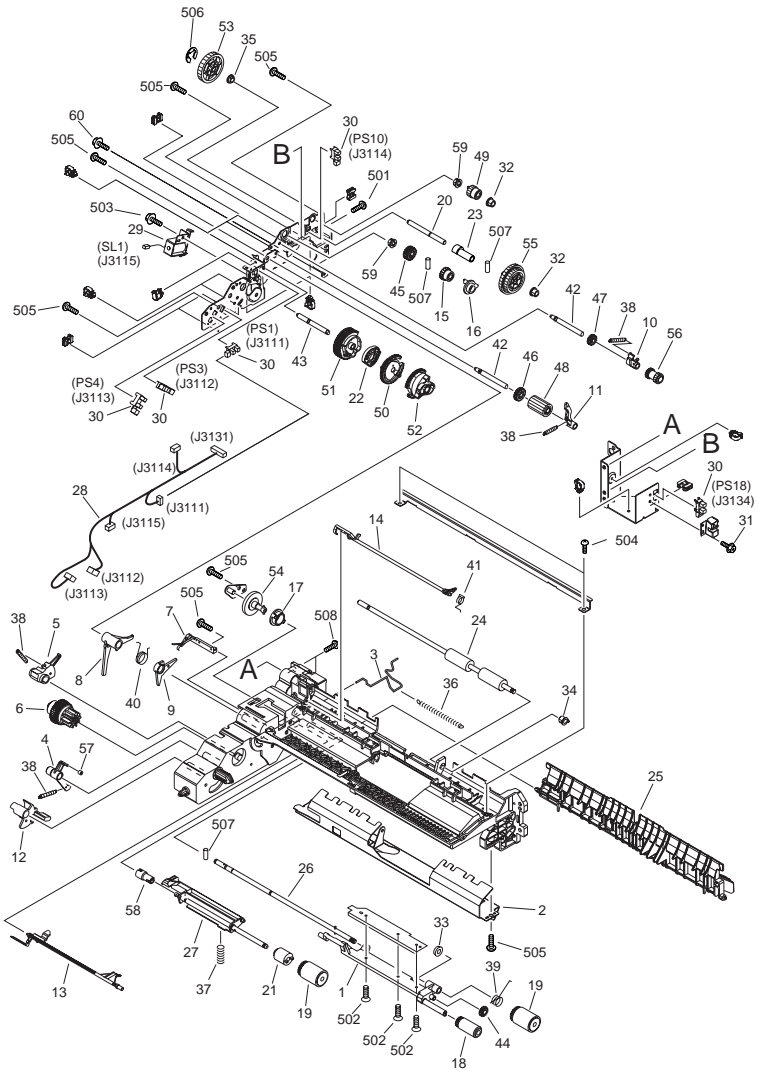
# FIGURE 301 CASSETTE (LARGE)



| FIGURE & KEY NO. | PARTS NUMBER | RANK | Q'TY | DESCRIPTION                | SERIAL NUMBER/REMARKS | SVC |
|------------------|--------------|------|------|----------------------------|-----------------------|-----|
| Fig.301          | NPN          |      | RF   | CASSETTE                   | LARGE                 |     |
| 1                | FB6-3478-000 |      | 1    | PLATE, SIDE GUIDE, FRONT   |                       |     |
| 2                | FB6-3479-000 |      | 1    | PLATE, SIDE GUIDE, REAR    |                       |     |
| 3                | FB6-3480-000 |      | 1    | PLATE, END GUIDE           |                       |     |
| 4                | FB6-3481-000 |      | 1    | RACK, 1                    |                       |     |
| 5                | FB6-3482-000 |      | 1    | RACK, 2                    |                       |     |
| 6                | FB6-3483-000 |      | 1    | KNOB, SIDE GUIDE PLATE, 1  |                       |     |
| 7                | FB6-3484-000 |      | 1    | KNOB, SIDE GUIDE PLATE, 2  |                       |     |
| 8                | FB6-3486-000 |      | 1    | PLATE, LIFTER              |                       |     |
| 9                | FB6-3490-000 |      | 2    | CLAW, SIDE PLATE GUIDE     |                       |     |
| 10               | FB6-3506-000 |      | 2    | COLLAR, CASSETTE SWING     |                       |     |
| 11               | FC5-0583-000 |      | 1    | LABEL, PAPER SET           |                       |     |
| 12               | FB6-3499-000 |      | 1    | SHEET, SEPARATION          |                       |     |
| 13               | FC5-0584-000 |      | 1    | LABEL, SIZE CHANGE         |                       |     |
| 14               | FC5-0598-000 |      | 1    | LABEL, DIAL SET            |                       |     |
| 15               | FC5-0624-000 |      | 1    | PANEL, CASSETTE FRONT      |                       |     |
| 16               | FC5-0605-000 |      | 1    | ARM, LOCK                  |                       |     |
| 17               | FC5-0637-000 |      | 1    | BUTTON, PUSH               |                       |     |
| 18               | FC5-1422-020 |      | 1    | DIAL, SIZE DETECT          |                       |     |
| 19               | FC5-1423-000 |      | 1    | SLIDER, CONVERT            |                       |     |
| 20               | FC5-1424-020 |      | 1    | HOLDER, DIAL               |                       |     |
| 21               | FC5-1425-000 |      | 1    | PIN, FLOAT GUIDE           |                       |     |
| 22               | FF6-2064-000 |      | 1    | PLATE, PAPER LIFTING       |                       |     |
| 23               | FS6-8116-000 |      | 1    | LABEL, 'PAPER HEIGHT'      |                       |     |
| 24               | FS7-2805-000 |      | 2    | SPRING, TORSION            |                       |     |
| 25               | FU3-0293-000 |      | 2    | GEAR, 16T                  |                       |     |
| 26               | FU3-0294-000 |      | 1    | GEAR, 7T                   |                       |     |
| 27               | FU5-2033-000 |      | 1    | SPRING, COMPRESSION        |                       |     |
| 28               | FU5-2097-000 |      | 1    | SPRING, COMPRESSION        |                       |     |
| 29               | FU5-2104-000 |      | 1    | SPRING, COMPRESSION        |                       |     |
| 30               | FB6-3524-000 |      | 1    | LABEL, PAPER SIZE SELECT   |                       |     |
| 31               | FC5-7216-000 |      | 1    | LABEL, CASSETTE SIZE, DIAL |                       |     |

| FIGURE<br>& KEY<br>NO. | PARTS<br>NUMBER | R<br>A<br>N<br>K | Q'TY | DESCRIPTION     | SERIAL NUMBER/<br>REMARKS | S<br>V<br>C |
|------------------------|-----------------|------------------|------|-----------------|---------------------------|-------------|
| 501                    | XB2-8300-607    |                  | 4    | SCREW, M3X6, S  |                           |             |
| 502                    | XB4-5300-807    |                  | 3    | SCREW, P, M3X8  |                           |             |
| 503                    | XB6-7300-807    |                  | 1    | SCREW, TP, M3X8 |                           |             |
| 504                    | XD1-1104-135    |                  | 1    | WASHER,COP      |                           |             |

**FIGURE 310**  
**PAPER PICK-UP ASSEMBLY (MIDDLE)**



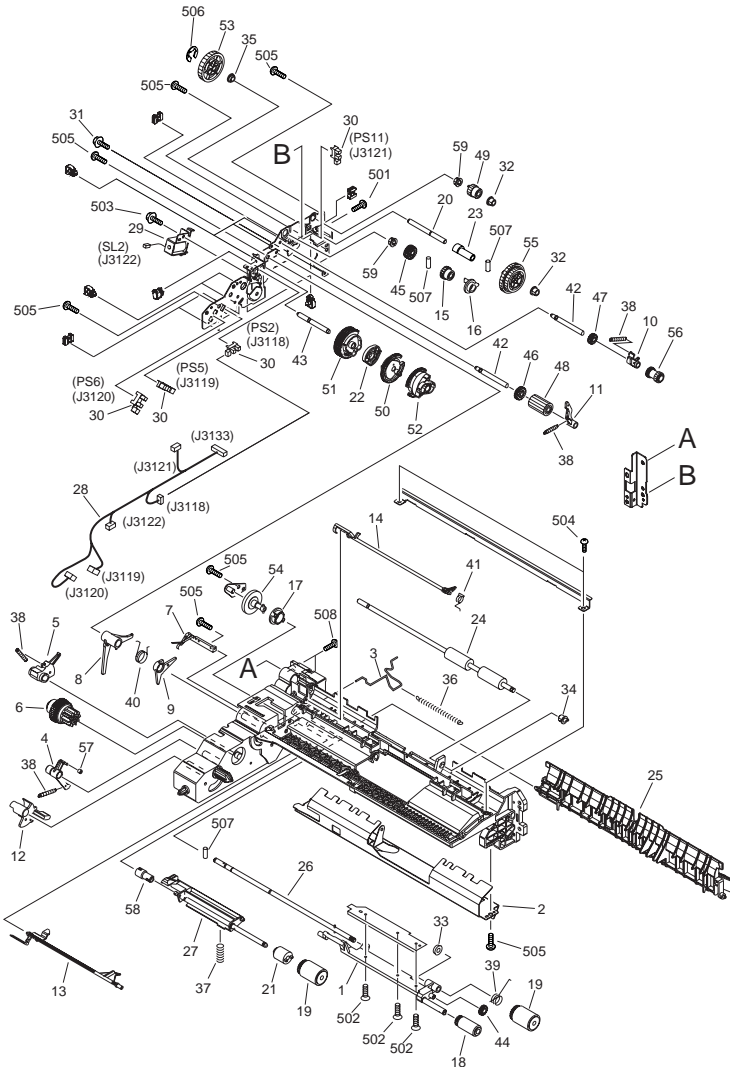
| FIGURE & KEY NO. | PARTS NUMBER | R<br>A<br>N<br>K | Q'TY | DESCRIPTION                    | SERIAL NUMBER/<br>REMARKS      | S<br>V<br>C |
|------------------|--------------|------------------|------|--------------------------------|--------------------------------|-------------|
| Fig.310          | FM2-1577-000 |                  | 1    | PAPER PICK-UP ASSEMBLY         | MIDDLE                         |             |
| 1                | FB6-3380-000 |                  | 1    | HOLDER, PAPER PICK-UP ROLLER   |                                |             |
| 2                | FB6-3386-000 |                  | 1    | GUIDE, RETARD                  |                                |             |
| 3                | FB6-3388-000 |                  | 1    | ROD, SEPARATION ROLLER RELEASE |                                |             |
| 4                | FB6-3389-000 |                  | 1    | CLAW, PICK-UP                  |                                |             |
| 5                | FB6-3390-000 |                  | 1    | CLAW, PAPER PICK-UP            |                                |             |
| 6                | FB6-3391-000 |                  | 1    | GEAR, RATCHET                  |                                |             |
| 7                | FB6-3392-000 |                  | 1    | SPRING, LEAF                   |                                |             |
| 8                | FB6-3393-000 |                  | 1    | ARM, PICK-UP                   |                                |             |
| 9                | FB6-3394-000 |                  | 1    | ARM, LIFTING                   |                                |             |
| 10               | FB6-3395-000 |                  | 1    | ARM, PAPER FEED SHAFT          |                                |             |
| 11               | FB6-3396-010 |                  | 1    | LOCK, PICK-UP                  |                                |             |
| 12               | FB6-3397-000 |                  | 1    | FLAG, PAPER SENSOR             |                                |             |
| 13               | FF6-2363-000 |                  | 1    | FLAG, PAPER DETECT SENSOR      |                                |             |
| 14               | FB6-3399-000 |                  | 1    | FLAG, REGISTRATION SENSOR      |                                |             |
| 15               | FB6-3402-000 |                  | 1    | GEAR, RATCHET                  |                                |             |
| 16               | FB6-3403-000 |                  | 1    | COUPLING, FEED SHAFT STOP      |                                |             |
| 17               | FB6-3404-000 |                  | 1    | COUPLING, SEPARATION SHAFT     |                                |             |
| 18               | FB6-3405-000 |                  | 1    | ROLLER, PAPER PICK-UP          |                                |             |
| 19               | FC5-6934-000 |                  | 2    | ROLLER, FEED/SEPARATION        |                                |             |
| 20               | FB6-3408-000 |                  | 1    | SHAFT, PAPER PICK-UP DRIVE     |                                |             |
| 21               | FB6-3410-000 |                  | 1    | LIMITER, TORQUE                |                                |             |
| 22               | FB6-3411-000 |                  | 1    | CAM, LOCK                      |                                |             |
| 23               | FB6-3413-000 |                  | 1    | COLLAR, PAPER PICK-UP SHAFT    |                                |             |
| 24               | FB6-4852-000 |                  | 1    | ROLLER, VERTICAL PATH          |                                |             |
| 25               | FC5-0595-000 |                  | 1    | GUIDE, VERTICAL PATH           |                                |             |
| 26               | FF6-2058-000 |                  | 1    | SHAFT, PAPER FEED ROLLER       |                                |             |
| 27               | FF6-2059-000 |                  | 1    | HOLDER, SEPARATION ROLLER      |                                |             |
| 28               | FG3-2302-000 |                  | 1    | CABLE, PAPER PICK-UP           | J3111,3112,3113,3114,3115,3131 |             |
| 29               | FK2-0408-000 |                  | 1    | SOLENOID                       | SL1 J3115                      |             |

| FIGURE & KEY NO. | PARTS NUMBER | R<br>A<br>N<br>K | Q'TY | DESCRIPTION         | SERIAL NUMBER/<br>REMARKS                      | S<br>V<br>C |
|------------------|--------------|------------------|------|---------------------|--|-------------|
| 30               | FH7-7312-000 |                  | 5    | IC, EE-SX4235A-P2,  | PS1,3,4,10,18<br>J3111,3112,3113,3114,31<br>34 |             |
| 31               | XA9-1386-000 |                  | 1    | SCREW,RS,M3X8       |  |             |
| 32               | FS1-1205-000 |                  | 2    | BUSHING             |  |             |
| 33               | FS1-1213-000 |                  | 1    | BUSHING             |  |             |
| 34               | FS5-1597-000 |                  | 1    | BUSHING             |  |             |
| 35               | FS6-1063-000 |                  | 1    | BUSHING             |  |             |
| 36               | FS7-2797-000 |                  | 1    | SPRING, TENSION     |  |             |
| 37               | FS7-2798-000 |                  | 1    | SPRING, COMPRESSION |  |             |
| 38               | FS7-2800-000 |                  | 4    | SPRING, TENSION     |  |             |
| 39               | FS7-2801-000 |                  | 1    | SPRING, TORSION     |  |             |
| 40               | FS7-2802-000 |                  | 1    | SPRING, TORSION     |  |             |
| 41               | FS7-2803-000 |                  | 1    | SPRING, TORSION     |  |             |
| 42               | FS7-5909-000 |                  | 2    | SHAFT, IDLER, 2     |  |             |
| 43               | FS7-5910-000 |                  | 1    | SHAFT, IDLER, 3     |  |             |
| 44               | FU3-0280-000 |                  | 1    | GEAR, 15T           |  |             |
| 45               | FU3-0282-000 |                  | 1    | GEAR, 21T           |  |             |
| 46               | FU3-0283-000 |                  | 1    | GEAR, 21T           |  |             |
| 47               | FU3-0284-000 |                  | 1    | GEAR, 16T           |  |             |
| 48               | FU3-0288-000 |                  | 1    | GEAR, 21T           |  |             |
| 49               | FU3-0289-000 |                  | 1    | GEAR, 14T           |  |             |
| 50               | FU3-0290-000 |                  | 1    | GEAR, 46T           |  |             |
| 51               | FU3-0291-000 |                  | 1    | GEAR, 51T           |  |             |
| 52               | FU3-0292-000 |                  | 1    | GEAR, 42T           |  |             |
| 53               | FU3-0347-000 |                  | 1    | GEAR, 41T           |  |             |
| 54               | FU3-0349-000 |                  | 1    | GEAR, 41T           |  |             |
| 55               | FU3-0350-000 |                  | 1    | GEAR, 41T/41T       |  |             |
| 56               | FU3-0352-000 |                  | 1    | GEAR, 16T/16T       |  |             |
| 57               | RB1-6539-000 |                  | 1    | DAMPER              |  |             |
| 58               | RB1-8945-000 |                  | 1    | JOINT               |  |             |
| 59               | RS5-1567-000 |                  | 2    | BUSHING             |  |             |
| 60               | XA9-0962-000 |                  | 1    | SCREW, RS, M3X10    |  |             |



| FIGURE<br>& KEY<br>NO. | PARTS<br>NUMBER | R<br>A<br>N<br>K | Q'TY | DESCRIPTION              | SERIAL NUMBER/<br>REMARKS | S<br>V<br>C |
|------------------------|-----------------|------------------|------|--------------------------|---------------------------|-------------|
| 501                    | XB1-2300-607    |                  | 1    | SCREW, BH3X6(S)          |                           |             |
| 502                    | XB1-3300-607    |                  | 3    | SCREW, FTH3X6            |                           |             |
| 503                    | XB3-6300-600    |                  | 2    | SCREW,RS,M3X6            |                           |             |
| 504                    | XB4-5400-807    |                  | 2    | SCREW,P,M4X8             |                           |             |
| 505                    | XB4-5401-207    |                  | 7    | SCREW,P,M4X12            |                           |             |
| 506                    | XD2-1100-502    |                  | 1    | RETAINING RING (E-TYPE)  |                           |             |
| 507                    | XD3-2200-122    |                  | 3    | PIN, DOWEL               |                           |             |
| 508                    | XB1-2400-607    |                  | 2    | SCREW, CROSS-RECESS, FCH |                           |             |

# FIGURE 311 PAPER PICK-UP ASSEMBLY (LARGE)

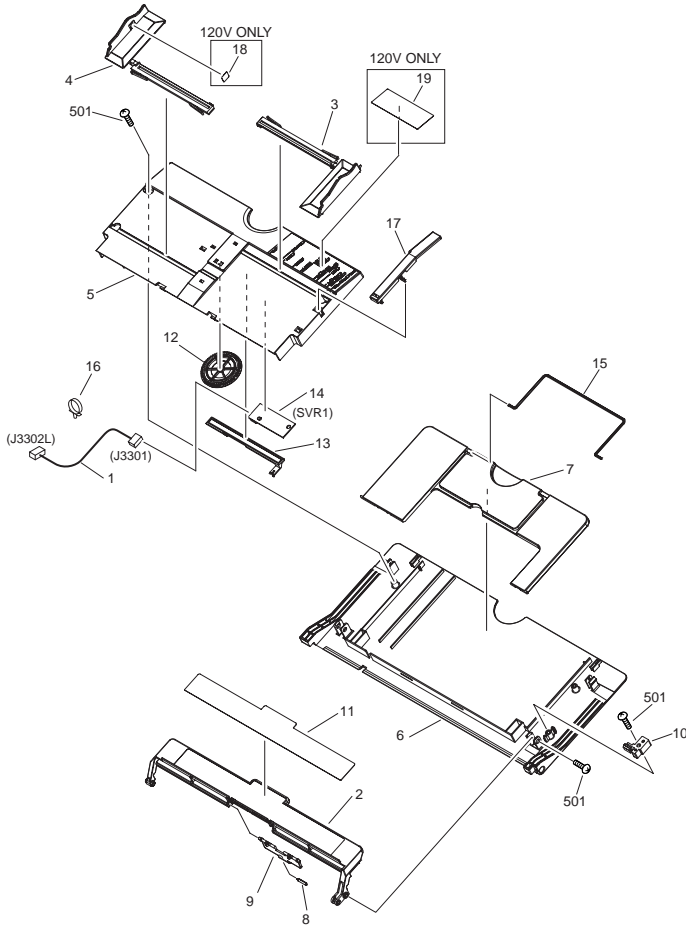


| FIGURE & KEY NO. | PARTS NUMBER | R<br>A<br>N<br>K | Q'TY | DESCRIPTION                    | SERIAL NUMBER/<br>REMARKS          | S<br>V<br>C |
|------------------|--------------|------------------|------|--------------------------------|------------------------------------|-------------|
| Fig.311          | FM2-1578-000 |                  | 1    | PAPER PICK-UP ASSEMBLY         | LARGE                              |             |
| 1                | FB6-3380-000 |                  | 1    | HOLDER, PAPER PICK-UP ROLLER   |                                    |             |
| 2                | FB6-3386-000 |                  | 1    | GUIDE, RETARD                  |                                    |             |
| 3                | FB6-3388-000 |                  | 1    | ROD, SEPARATION ROLLER RELEASE |                                    |             |
| 4                | FB6-3389-000 |                  | 1    | CLAW, PICK-UP                  |                                    |             |
| 5                | FB6-3390-000 |                  | 1    | CLAW, PAPER PICK-UP            |                                    |             |
| 6                | FB6-3391-000 |                  | 1    | GEAR, RATCHET                  |                                    |             |
| 7                | FB6-3392-000 |                  | 1    | SPRING, LEAF                   |                                    |             |
| 8                | FB6-3393-000 |                  | 1    | ARM, PICK-UP                   |                                    |             |
| 9                | FB6-3394-000 |                  | 1    | ARM, LIFTING                   |                                    |             |
| 10               | FB6-3395-000 |                  | 1    | ARM, PAPER FEED SHAFT          |                                    |             |
| 11               | FB6-3396-010 |                  | 1    | LOCK, PICK-UP                  |                                    |             |
| 12               | FB6-3397-000 |                  | 1    | FLAG, PAPER SENSOR             |                                    |             |
| 13               | FF6-2363-000 |                  | 1    | FLAG, PAPER DETECT SENSOR      |                                    |             |
| 14               | FB6-3399-000 |                  | 1    | FLAG, REGISTRATION SENSOR      |                                    |             |
| 15               | FB6-3402-000 |                  | 1    | GEAR, RATCHET                  |                                    |             |
| 16               | FB6-3403-000 |                  | 1    | COUPLING, FEED SHAFT STOP      |                                    |             |
| 17               | FB6-3404-000 |                  | 1    | COUPLING, SEPARATION SHAFT     |                                    |             |
| 18               | FB6-3405-000 |                  | 1    | ROLLER, PAPER PICK-UP          |                                    |             |
| 19               | FC5-6934-000 |                  | 2    | ROLLER, FEED/SEPARATION        |                                    |             |
| 20               | FB6-3408-000 |                  | 1    | SHAFT, PAPER PICK-UP DRIVE     |                                    |             |
| 21               | FB6-3410-000 |                  | 1    | LIMITER, TORQUE                |                                    |             |
| 22               | FB6-3411-000 |                  | 1    | CAM, LOCK                      |                                    |             |
| 23               | FB6-3413-000 |                  | 1    | COLLAR, PAPER PICK-UP SHAFT    |                                    |             |
| 24               | FB6-4852-000 |                  | 1    | ROLLER, VERTICAL PATH          |                                    |             |
| 25               | FC5-0595-000 |                  | 1    | GUIDE, VERTICAL PATH           |                                    |             |
| 26               | FF6-2058-000 |                  | 1    | SHAFT, PAPER FEED ROLLER       |                                    |             |
| 27               | FF6-2059-000 |                  | 1    | HOLDER, SEPARATION ROLLER      |                                    |             |
| 28               | FG3-2302-000 |                  | 1    | CABLE, PAPER PICK-UP           | J3118,3119,3120,3121,3122,3133     |             |
| 29               | FK2-0408-000 |                  | 1    | SOLENOID                       | SL2 J3122                          |             |
| 30               | FH7-7312-000 |                  | 4    | IC, EE-SX4235A-P2,             | PS2,5,6,11<br>J3118,3119,3120,3121 |             |

| FIGURE & KEY NO. | PARTS NUMBER | R<br>A<br>N<br>K | Q'TY | DESCRIPTION         | SERIAL NUMBER/<br>REMARKS | S<br>V<br>C |
|------------------|--------------|------------------|------|---------------------|---------------------------|-------------|
| 32               | FS1-1205-000 |                  | 2    | BUSHING             |                           |             |
| 33               | FS1-1213-000 |                  | 1    | BUSHING             |                           |             |
| 34               | FS5-1597-000 |                  | 1    | BUSHING             |                           |             |
| 35               | FS6-1063-000 |                  | 1    | BUSHING             |                           |             |
| 36               | FS7-2797-000 |                  | 1    | SPRING, TENSION     |                           |             |
| 37               | FS7-2798-000 |                  | 1    | SPRING, COMPRESSION |                           |             |
| 38               | FS7-2800-000 |                  | 4    | SPRING, TENSION     |                           |             |
| 39               | FS7-2801-000 |                  | 1    | SPRING, TORSION     |                           |             |
| 40               | FS7-2802-000 |                  | 1    | SPRING, TORSION     |                           |             |
| 41               | FS7-2803-000 |                  | 1    | SPRING, TORSION     |                           |             |
| 42               | FS7-5909-000 |                  | 2    | SHAFT, IDLER, 2     |                           |             |
| 43               | FS7-5910-000 |                  | 1    | SHAFT, IDLER, 3     |                           |             |
| 44               | FU3-0280-000 |                  | 1    | GEAR, 15T           |                           |             |
| 45               | FU3-0282-000 |                  | 1    | GEAR, 21T           |                           |             |
| 46               | FU3-0283-000 |                  | 1    | GEAR, 21T           |                           |             |
| 47               | FU3-0284-000 |                  | 1    | GEAR, 16T           |                           |             |
| 48               | FU3-0288-000 |                  | 1    | GEAR, 21T           |                           |             |
| 49               | FU3-0289-000 |                  | 1    | GEAR, 14T           |                           |             |
| 50               | FU3-0290-000 |                  | 1    | GEAR, 46T           |                           |             |
| 51               | FU3-0291-000 |                  | 1    | GEAR, 51T           |                           |             |
| 52               | FU3-0292-000 |                  | 1    | GEAR, 42T           |                           |             |
| 53               | FU3-0347-000 |                  | 1    | GEAR, 41T           |                           |             |
| 54               | FU3-0349-000 |                  | 1    | GEAR, 41T           |                           |             |
| 55               | FU3-0350-000 |                  | 1    | GEAR, 41T/41T       |                           |             |
| 56               | FU3-0352-000 |                  | 1    | GEAR, 16T/16T       |                           |             |
| 57               | RB1-6539-000 |                  | 1    | DAMPER              |                           |             |
| 58               | RB1-8945-000 |                  | 1    | JOINT               |                           |             |
| 59               | RS5-1567-000 |                  | 2    | BUSHING             |                           |             |
| 60               | XA9-0656-000 |                  | 1    | SCREW,RS,M3X10      |                           |             |
| 501              | XB1-2300-607 |                  | 1    | SCREW, BH3X6(S)     |                           |             |
| 502              | XB1-3300-607 |                  | 3    | SCREW, FTH3X6       |                           |             |
| 503              | XB3-6300-600 |                  | 2    | SCREW,RS,M3X6       |                           |             |

| FIGURE<br>& KEY<br>NO. | PARTS<br>NUMBER | R<br>A<br>N<br>K | Q'TY | DESCRIPTION              | SERIAL NUMBER/<br>REMARKS | S<br>V<br>C |
|------------------------|-----------------|------------------|------|--------------------------|---------------------------|-------------|
| 504                    | XB4-5400-807    |                  | 2    | SCREW,P,M4X8             |                           |             |
| 505                    | XB4-5401-207    |                  | 7    | SCREW,P,M4X12            |                           |             |
| 506                    | XD2-1100-502    |                  | 1    | RETAINING RING (E-TYPE)  |                           |             |
| 507                    | XD3-2200-122    |                  | 3    | PIN, DOWEL               |                           |             |
| 508                    | XB1-2400-607    |                  | 2    | SCREW, CROSS-RECESS, FCH |                           |             |

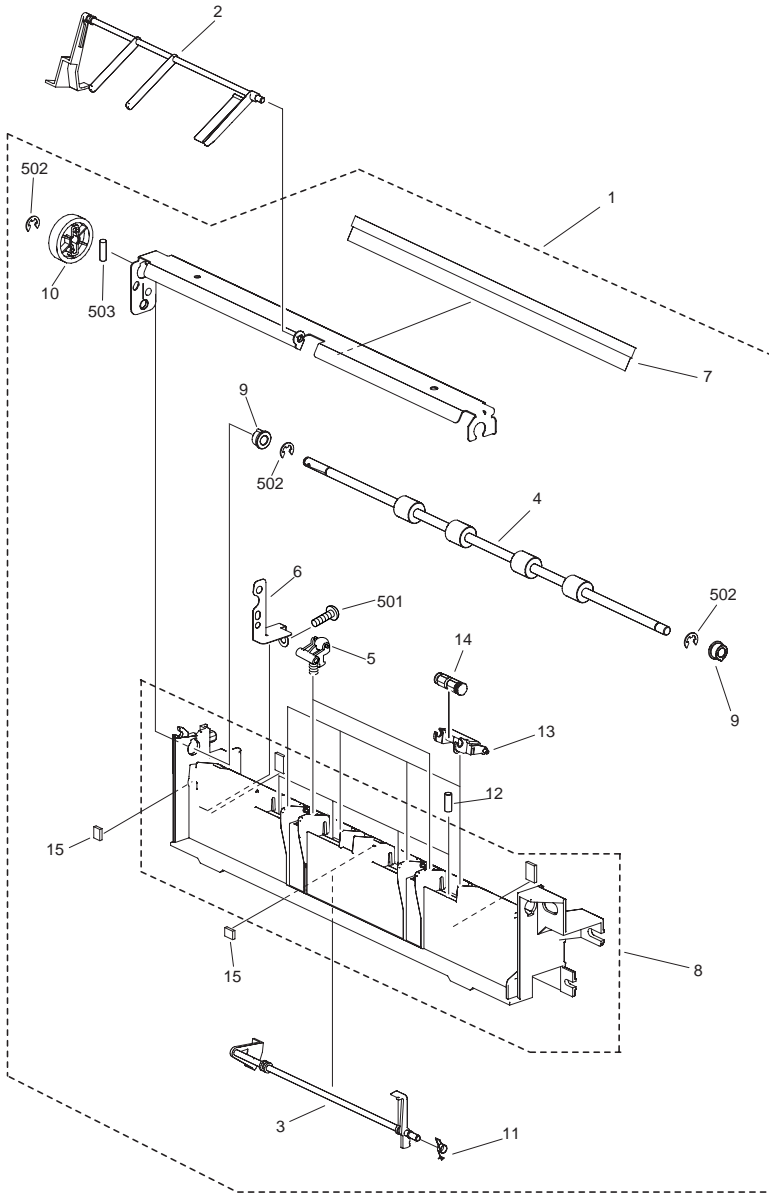
# FIGURE 315 MULTI FEED TRAY ASSEMBLY



NOTE 1 : This assembly is included in the assembly shown in Figure 140.  
 NOTE 2 : This assembly does not include the part shown with key No. 17, 18 and 19.  
 注 1 : このユニットはFigure 140のユニットに含まれます。  
 注 2 : このユニットにKey No. 17, 18, 19の部品は含まれません。

| FIGURE & KEY NO. | PARTS NUMBER | R<br>A<br>N<br>K | Q'TY | DESCRIPTION                  | SERIAL NUMBER/<br>REMARKS | S<br>V<br>C |
|------------------|--------------|------------------|------|------------------------------|---------------------------|-------------|
| Fig.315          | FM2-0387-000 |                  | 1    | MULTI FEED TRAY ASSEMBLY     | SEE NOTE 1                |             |
| 1                | FG3-3187-000 |                  | 1    | CABLE, PAPER WIDTH SENSOR    | J3301,3302L               |             |
| 2                | FC5-0520-000 |                  | 1    | LEVER, MULTI FEED            |                           |             |
| 3                | FC5-0477-000 |                  | 1    | PLATE, PAPER SIDE END, FRONT |                           |             |
| 4                | FC5-0478-000 |                  | 1    | PLATE, PAPER SIDE END, REAR  |                           |             |
| 5                | FC5-0479-000 |                  | 1    | TRAY, MULTI FEED, UPPER      |                           |             |
| 6                | FC5-0480-000 |                  | 1    | TRAY, MULTI FEED, LOWER      |                           |             |
| 7                | FC5-0481-000 |                  | 1    | TRAY, MULTI FEED AUXILIARY   |                           |             |
| 8                | FC5-0497-000 |                  | 1    | ROLLER, NEEDLE               |                           |             |
| 9                | FC5-0526-000 |                  | 1    | STOPPER, MULTI FEED SHEET    |                           |             |
| 10               | FC5-0527-000 |                  | 1    | STOPPER, MULTI FEED HANDLE   |                           |             |
| 11               | FC5-0541-000 |                  | 1    | LABEL, PAPER SET INDICATION  |                           |             |
| 12               | FU5-0062-000 |                  | 1    | GEAR, 18T/62T                |                           |             |
| 13               | FU5-0063-000 |                  | 1    | RACK, MULTI FEED SIZE DETECT |                           |             |
| 14               | FM2-2768-000 |                  | 1    | MULTI FEED SIZE PCB ASSEMBLY | SVR1                      |             |
| 15               | FC5-0546-000 |                  | 1    | TRAY, WIRE AUXILIARY         |                           |             |
| 16               | WT2-5565-000 |                  | 1    | CLAMP, CABLE                 |                           |             |
| 17               | FC5-0530-000 |                  | 1    | COVER                        | SEE NOTE 2                |             |
| 18               | FC5-0544-000 |                  | 1    | LABEL, MAXIMUM LOAD          | SEE NOTE 2 120V ONLY      |             |
| 19               | FC5-7217-000 |                  | 1    | LABEL, PAPER SIZE            | SEE NOTE 2 120V ONLY      |             |
| 501              | XB4-5401-007 |                  | 3    | SCREW, M4X10                 |                           |             |

# FIGURE 350 PAPER DELIVERY ASSEMBLY

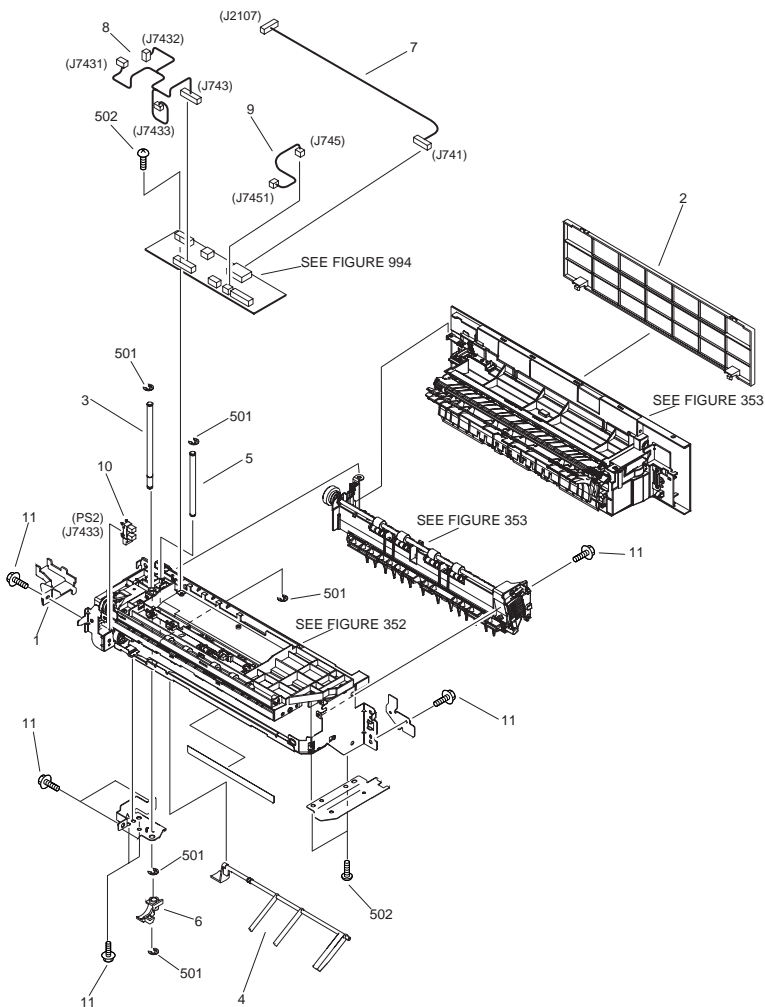




| FIGURE & KEY NO. | PARTS NUMBER | RANK | Q'TY | DESCRIPTION               | SERIAL NUMBER/REMARKS | SVC |
|------------------|--------------|------|------|---------------------------|-----------------------|-----|
| Fig.350          | NPN          |      | RF   | PAPER DELIVERY ASSEMBLY   |                       |     |
| 1                | FM2-3265-000 |      | 1    | PAPER DELIVERY ASSEMBLY   |                       |     |
| 2                | FC5-0798-000 |      | 1    | FLAG, FULL DETECT         |                       |     |
| 3                | FC5-0799-000 |      | 1    | FLAG, 1ST DELIVERY SENSOR |                       |     |
| 4                | FC5-0800-000 |      | 1    | ROLLER, PAPER DELIVERY    |                       |     |
| 5                | FF6-0345-000 |      | 2    | DELIVERY COLLAR UNIT      |                       |     |
| 6                | FC5-0806-000 |      | 1    | PLATE, GROUNDING          |                       |     |
| 7                | FB5-4858-000 |      | 1    | ELIMINATOR, STATIC CHARGE |                       |     |
| 8                | FL2-0178-000 |      | 1    | GUIDE, PAPER DELIVERY     |                       |     |
| 9                | FS5-1943-000 |      | 2    | BUSHING                   |                       |     |
| 10               | FU5-0128-000 |      | 1    | GEAR, 35T                 |                       |     |
| 11               | FU5-2068-000 |      | 1    | SPRING, TORSION           |                       |     |
| 12               | FU5-2074-000 |      | 4    | SPRING, COMPRESSION       |                       |     |
| 13               | FC6-2915-000 |      | 4    | HOLDER,ROLLER             |                       |     |
| 14               | FM2-0177-000 |      | 4    | O RING ROLLER UNIT        |                       |     |
| 15               | FB5-5150-000 |      | 2    | RUBBER, NOISE PREVENTION  |                       |     |
| 501              | XB4-5400-807 |      | 1    | SCREW, P, M4X8            |                       |     |
| 502              | XD2-1100-502 |      | 3    | RETAINING RING(E-TYPE)    |                       |     |
| 503              | XD3-2200-162 |      | 1    | PIN, PARALLEL             |                       |     |

# FIGURE 351

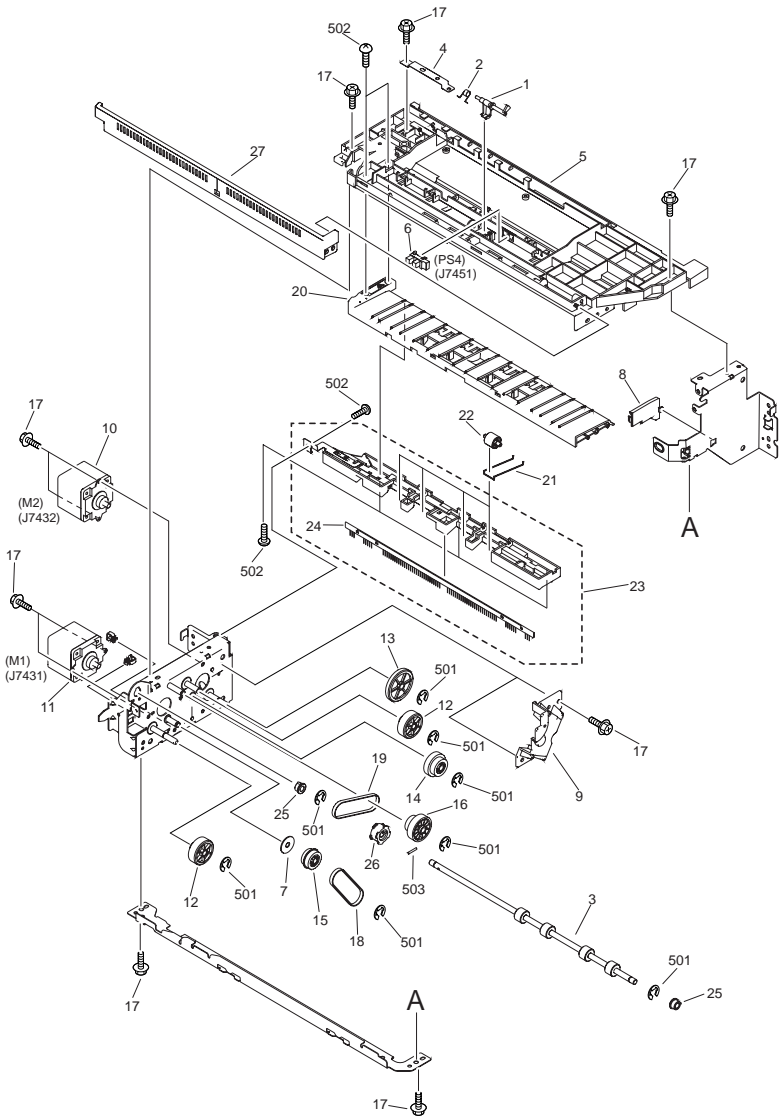
## 2ND 3RD DELIVERY ASSEMBLY



| FIGURE & KEY NO. | PARTS NUMBER | R<br>A<br>N<br>K | Q'TY | DESCRIPTION                    | SERIAL NUMBER/<br>REMARKS   | S<br>V<br>C |
|------------------|--------------|------------------|------|--------------------------------|---|-------------|
| Fig.351          | NPN          |                  | RF   | 2ND 3RD DELIVERY ASSEMBLY      |   |             |
| 1                | FC5-0859-000 |                  | 1    | COVER, CONNECTOR               | iR2270 120V&iR2870<br>120V&iR3570&iR3570F&i<br>R4570&iR4570F                        |             |
| 2                | FC5-0888-000 |                  | 1    | PANEL, 2ND DELIVERY BLANKING   | iR2270 120V&iR2870<br>120V&iR3570&iR3570F&i<br>R4570&iR4570F                        |             |
| 3                | FC5-0978-020 |                  | 1    | SHAFT, 2ND DELIVERY HINGE      | iR2270 120V&iR2870<br>120V&iR3570&iR3570F&i<br>R4570&iR4570F                        |             |
| 4                | FC5-0992-000 |                  | 1    | FLAG, PAPER FULL SENSOR        | iR2270 120V&iR2870<br>120V&iR3570&iR3570F&i<br>R4570&iR4570F                        |             |
| 5                | FC5-1019-020 |                  | 1    | SHAFT, 3RD DELIVERY HINGE      | iR2270 120V&iR2870<br>120V&iR3570&iR3570F&i<br>R4570&iR4570F                        |             |
| 6                | FC5-6011-000 |                  | 1    | COVER, GEAR                    | iR2270 120V&iR2870<br>120V&iR3570&iR3570F&i<br>R4570&iR4570F                        |             |
| 7                | FG3-3294-000 |                  | 1    | CABLE, INTERFACE               | J741,2107 iR2270<br>120V&iR2870<br>120V&iR3570&iR3570F&i<br>R4570&iR4570F           |             |
| 8                | FG3-3297-000 |                  | 1    | CABLE, MOTOR                   | J743,7431,7432,7433<br>iR2270 120V&iR2870<br>120V&iR3570&iR3570F&i<br>R4570&iR4570F |             |
| 9                | FG3-3301-000 |                  | 1    | CABLE, SENSOR                  | J745,7451 iR2270<br>120V&iR2870<br>120V&iR3570&iR3570F&i<br>R4570&iR4570F           |             |
| 10               | FK2-0149-000 |                  | 1    | PHOTO-INTERRUPTER, TLP1253(C6) | PS2 J7433 iR2270<br>120V&iR2870<br>120V&iR3570&iR3570F&i<br>R4570&iR4570F           |             |
| 11               | XA9-1386-000 |                  | 5    | SCREW, RS, M3X8                | iR2270 120V&iR2870<br>120V&iR3570&iR3570F&i<br>R4570&iR4570F                        |             |
| 501              | XD2-1100-502 |                  | 5    | RING, E                        | iR2270 120V&iR2870<br>120V&iR3570&iR3570F&i<br>R4570&iR4570F                        |             |
| 502              | XB4-5300-805 |                  | 4    | SCREW, P, M3X8                 | iR2270 120V&iR2870<br>120V&iR3570&iR3570F&i<br>R4570&iR4570F                        |             |

# FIGURE 352

## 2ND UPPER DELIVERY ASSEMBLY

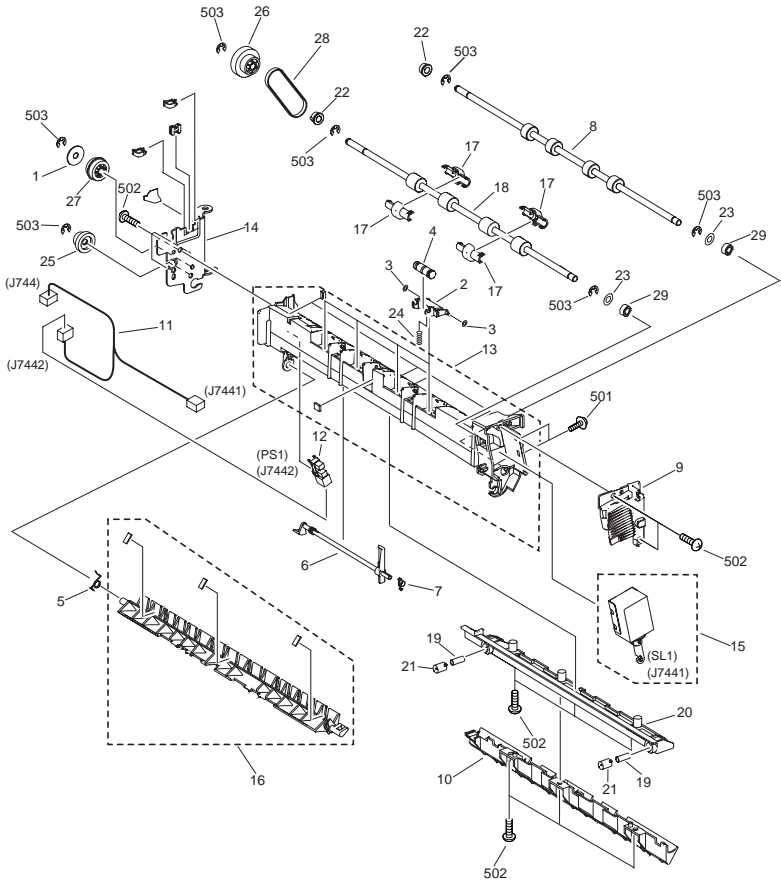


| FIGURE & KEY NO. | PARTS NUMBER | R<br>A<br>N<br>K | Q'TY | DESCRIPTION                    | SERIAL NUMBER/<br>REMARKS   | S<br>V<br>C |
|------------------|--------------|------------------|------|--------------------------------|---|-------------|
| Fig.352          | FM2-1328-000 |                  | 1    | 2ND UPPER DELIVERY ASSEMBLY    | iR2270 120V&iR2870<br>120V&iR3570&iR3570F&i<br>R4570&iR4570F              |             |
| 1                | FC5-0987-000 |                  | 1    | FLAG, REVERSE SENSOR           | iR2270 120V&iR2870<br>120V&iR3570&iR3570F&i<br>R4570&iR4570F              |             |
| 2                | FC5-0988-000 |                  | 1    | SPRING, TORSION                | iR2270 120V&iR2870<br>120V&iR3570&iR3570F&i<br>R4570&iR4570F              |             |
| 3                | FC5-0989-020 |                  | 1    | ROLLER, REVERSE                | iR2270 120V&iR2870<br>120V&iR3570&iR3570F&i<br>R4570&iR4570F              |             |
| 4                | FC5-1025-000 |                  | 1    | PLATE, GROUNDING               | iR2270 120V&iR2870<br>120V&iR3570&iR3570F&i<br>R4570&iR4570F              |             |
| 5                | FC5-1038-000 |                  | 1    | GUIDE, 2ND DELIVERY, UPPER     | iR2270 120V&iR2870<br>120V&iR3570&iR3570F&i<br>R4570&iR4570F              |             |
| 6                | FK2-0149-000 |                  | 1    | PHOTO-INTERRUPTER, TLP1253(C6) | PS4 J7451 iR2270<br>120V&iR2870<br>120V&iR3570&iR3570F&i<br>R4570&iR4570F |             |
| 7                | FB5-4754-000 |                  | 1    | SPACER                         | iR2270 120V&iR2870<br>120V&iR3570&iR3570F&i<br>R4570&iR4570F              |             |
| 8                | FC5-0870-000 |                  | 1    | GUIDE, SLIDE                   | iR2270 120V&iR2870<br>120V&iR3570&iR3570F&i<br>R4570&iR4570F              |             |
| 9                | FC5-6010-000 |                  | 1    | COVER, GEAR, 1                 | iR2270 120V&iR2870<br>120V&iR3570&iR3570F&i<br>R4570&iR4570F              |             |
| 10               | FH5-1021-010 |                  | 1    | MOTOR, STEPPING, AC            | M2 J7432 iR2270<br>120V&iR2870<br>120V&iR3570&iR3570F&i<br>R4570&iR4570F  |             |
| 11               | FH5-1108-010 |                  | 1    | MOTOR, STEPPING, AC            | M1 J7431 iR2270<br>120V&iR2870<br>120V&iR3570&iR3570F&i<br>R4570&iR4570F  |             |
| 12               | FU5-0054-000 |                  | 2    | GEAR, 35T                      | iR2270 120V&iR2870<br>120V&iR3570&iR3570F&i<br>R4570&iR4570F              |             |
| 13               | FU5-0077-000 |                  | 1    | GEAR, 46T                      | iR2270 120V&iR2870<br>120V&iR3570&iR3570F&i<br>R4570&iR4570F              |             |
| 14               | FU5-0078-000 |                  | 1    | GEAR, 30T/24T                  | iR2270 120V&iR2870<br>120V&iR3570&iR3570F&i<br>R4570&iR4570F              |             |

| FIGURE & KEY NO. | PARTS NUMBER | RANK | Q'TY | DESCRIPTION                    | SERIAL NUMBER/REMARKS  | SVC |
|------------------|--------------|------|------|--------------------------------|--|-----|
| 15               | FU5-3020-000 |      | 1    | GEAR, 24T/PULLEY, 30T          | iR2270 120V&iR2870<br>120V&iR3570&iR3570F&i<br>R4570&iR4570F |     |
| 16               | FU5-3022-000 |      | 1    | PULLEY, 30T/GEAR, 35T          | iR2270 120V&iR2870<br>120V&iR3570&iR3570F&i<br>R4570&iR4570F |     |
| 17               | XA9-1386-000 |      | 12   | SCREW, RS, M3X8                | iR2270 120V&iR2870<br>120V&iR3570&iR3570F&i<br>R4570&iR4570F |     |
| 18               | XF2-4104-240 |      | 1    | BELT, TIMING, COGGED           | iR2270 120V&iR2870<br>120V&iR3570&iR3570F&i<br>R4570&iR4570F |     |
| 19               | XF2-4108-240 |      | 1    | BELT, TIMING, COGGED           | iR2270 120V&iR2870<br>120V&iR3570&iR3570F&i<br>R4570&iR4570F |     |
| 20               | FC5-0985-000 |      | 1    | GUIDE, REVERSE LOWER           | iR2270 120V&iR2870<br>120V&iR3570&iR3570F&i<br>R4570&iR4570F |     |
| 21               | FC5-0991-000 |      | 4    | SPRING                         | iR2270 120V&iR2870<br>120V&iR3570&iR3570F&i<br>R4570&iR4570F |     |
| 22               | FC5-1013-000 |      | 4    | ROLLER                         | iR2270 120V&iR2870<br>120V&iR3570&iR3570F&i<br>R4570&iR4570F |     |
| 23               | FL2-1200-000 |      | 1    | GUIDE, REVERSE LOWER AUXILIARY | iR2270 120V&iR2870<br>120V&iR3570&iR3570F&i<br>R4570&iR4570F |     |
| 24               | FC5-6003-000 |      | 1    | ELIMINATOR, STATIC-CHARGE      | iR2270 120V&iR2870<br>120V&iR3570&iR3570F&i<br>R4570&iR4570F |     |
| 25               | FS5-1943-000 |      | 2    | BUSHING                        | iR2270 120V&iR2870<br>120V&iR3570&iR3570F&i<br>R4570&iR4570F |     |
| 26               | FU5-3021-000 |      | 1    | PULLEY, 30T                    | iR2270 120V&iR2870<br>120V&iR3570&iR3570F&i<br>R4570&iR4570F |     |
| 27               | FC5-6004-000 |      | 1    | COVER, PROTECTIVE              | iR2270 120V&iR2870<br>120V&iR3570&iR3570F&i<br>R4570&iR4570F |     |
| 501              | XD2-1100-502 |      | 8    | RING, E                        | iR2270 120V&iR2870<br>120V&iR3570&iR3570F&i<br>R4570&iR4570F |     |
| 502              | XB4-5401-205 |      | 6    | SCREW, P, M4X12                | iR2270 120V&iR2870<br>120V&iR3570&iR3570F&i<br>R4570&iR4570F |     |
| 503              | XD3-2200-122 |      | 1    | PIN, DOWEL                     | iR2270 120V&iR2870<br>120V&iR3570&iR3570F&i<br>R4570&iR4570F |     |

# FIGURE 353

## 2ND DELIVERY FRAME ASSEMBLY



| FIGURE & KEY NO. | PARTS NUMBER | R A N K | Q'TY | DESCRIPTION                    | SERIAL NUMBER/<br>REMARKS  | S V C |
|------------------|--------------|---------|------|--------------------------------|--|-------|
| Fig.353          | FM2-4471-000 |         | 1    | 2ND DELIVERY FRAME ASSEMBLY    | iR2270 120V&iR2870<br>120V&iR3570&iR3570F&i<br>R4570&iR4570F                   |       |
| 1                | FB5-4754-000 |         | 1    | SPACER                         | iR2270 120V&iR2870<br>120V&iR3570&iR3570F&i<br>R4570&iR4570F                   |       |
| 2                | FC6-2915-000 |         | 4    | HOLDER, ROLLER                 | iR2270 120V&iR2870<br>120V&iR3570&iR3570F&i<br>R4570&iR4570F                   |       |
| 3                | FB5-9803-000 |         | 8    | RING                           | iR2270 120V&iR2870<br>120V&iR3570&iR3570F&i<br>R4570&iR4570F                   |       |
| 4                | FB6-5796-000 |         | 4    | ROLLER, PAPER DELIVERY         | iR2270 120V&iR2870<br>120V&iR3570&iR3570F&i<br>R4570&iR4570F                   |       |
| 5                | FC5-0974-000 |         | 1    | SPRING, TORSION                | iR2270 120V&iR2870<br>120V&iR3570&iR3570F&i<br>R4570&iR4570F                   |       |
| 6                | FC5-0996-000 |         | 1    | FLAG, 2ND DELIVERY SENSOR      | iR2270 120V&iR2870<br>120V&iR3570&iR3570F&i<br>R4570&iR4570F                   |       |
| 7                | FC5-0997-000 |         | 1    | SPRING, TORSION                | iR2270 120V&iR2870<br>120V&iR3570&iR3570F&i<br>R4570&iR4570F                   |       |
| 8                | FC5-1017-000 |         | 1    | ROLLER, 2ND VERTICAL PATH      | iR2270 120V&iR2870<br>120V&iR3570&iR3570F&i<br>R4570&iR4570F                   |       |
| 9                | FC5-1053-000 |         | 1    | COVER, SOLENOID, 1             | iR2270 120V&iR2870<br>120V&iR3570&iR3570F&i<br>R4570&iR4570F                   |       |
| 10               | FC5-5474-000 |         | 1    | GUIDE, 2ND DELIVERY ENTRANCE   | iR2270 120V&iR2870<br>120V&iR3570&iR3570F&i<br>R4570&iR4570F                   |       |
| 11               | FG3-3299-000 |         | 1    | CABLE, 2ND PAPER DELIVERY      | J744,7441,7442 iR2270<br>120V&iR2870<br>120V&iR3570&iR3570F&i<br>R4570&iR4570F |       |
| 12               | FK2-0149-000 |         | 1    | PHOTO-INTERRUPTER, TLP1253(C6) | PS1 J7442 iR2270<br>120V&iR2870<br>120V&iR3570&iR3570F&i<br>R4570&iR4570F      |       |
| 13               | FL2-1201-000 |         | 1    | GUIDE, 2ND PAPER DELIVERY      | iR2270 120V&iR2870<br>120V&iR3570&iR3570F&i<br>R4570&iR4570F                   |       |
| 14               | FL2-1202-000 |         | 1    | HINGE, 2ND DELIVERY            | iR2270 120V&iR2870<br>120V&iR3570&iR3570F&i<br>R4570&iR4570F                   |       |

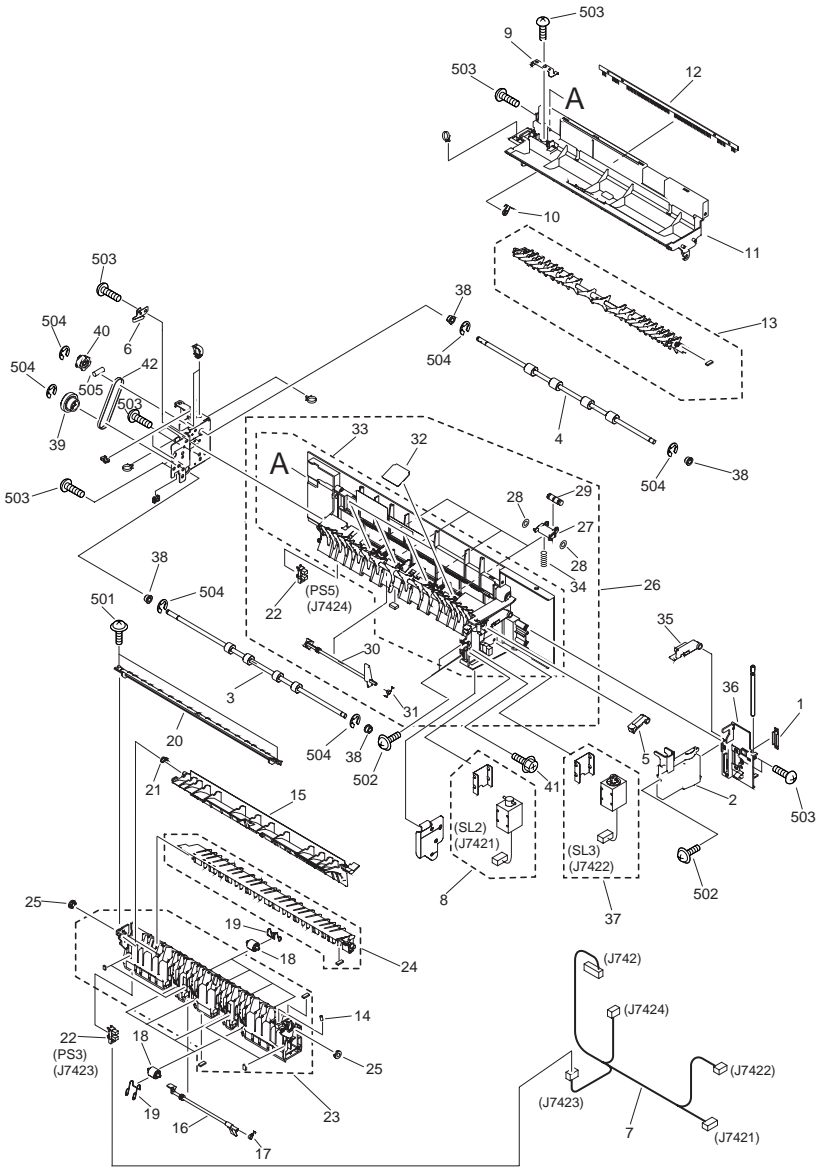


| FIGURE & KEY NO. | PARTS NUMBER | R A N K | Q'TY | DESCRIPTION                 | SERIAL NUMBER/ REMARKS  | S V C |
|------------------|--------------|---------|------|-----------------------------|---|-------|
| 15               | FL2-1203-000 |         | 1    | SOLENOID                    | SL1 L7441 iR2270<br>120V&iR2870<br>120V&iR3570&iR3570F&i<br>R4570&iR4570F |       |
| 16               | FL2-1212-030 |         | 1    | FLAPPER, 1ST PAPER DELIVERY | iR2270 120V&iR2870<br>120V&iR3570&iR3570F&i<br>R4570&iR4570F              |       |
| 17               | FC5-0805-000 |         | 4    | ROLLER, REFORM              | iR2270 120V&iR2870<br>120V&iR3570&iR3570F&i<br>R4570&iR4570F              |       |
| 18               | FC5-0998-000 |         | 1    | ROLLER, 2ND PAPER DELIVERY  | iR2270 120V&iR2870<br>120V&iR3570&iR3570F&i<br>R4570&iR4570F              |       |
| 19               | FC5-0871-000 |         | 2    | SPRING, COMPRESSION         | iR2270 120V&iR2870<br>120V&iR3570&iR3570F&i<br>R4570&iR4570F              |       |
| 20               | FC5-0873-000 |         | 1    | COVER, 2ND DELIVERY FRAME   | iR2270 120V&iR2870<br>120V&iR3570&iR3570F&i<br>R4570&iR4570F              |       |
| 21               | FC5-6014-000 |         | 2    | CAP, SPRING                 | iR2270 120V&iR2870<br>120V&iR3570&iR3570F&i<br>R4570&iR4570F              |       |
| 22               | FS5-1943-000 |         | 2    | BUSHING                     | iR2270 120V&iR2870<br>120V&iR3570&iR3570F&i<br>R4570&iR4570F              |       |
| 23               | FS5-6488-000 |         | 2    | WASHER                      | iR2270 120V&iR2870<br>120V&iR3570&iR3570F&i<br>R4570&iR4570F              |       |
| 24               | FS7-2859-000 |         | 4    | SPRING, COMPRESSION         | iR2270 120V&iR2870<br>120V&iR3570&iR3570F&i<br>R4570&iR4570F              |       |
| 25               | FU5-0076-000 |         | 1    | GEAR, 24T                   | iR2270 120V&iR2870<br>120V&iR3570&iR3570F&i<br>R4570&iR4570F              |       |
| 26               | FU5-3019-000 |         | 1    | PULLEY, 30T/GEAR, 35T       | iR2270 120V&iR2870<br>120V&iR3570&iR3570F&i<br>R4570&iR4570F              |       |
| 27               | FU5-3020-000 |         | 1    | GEAR, 24T/PULLEY, 30T       | iR2270 120V&iR2870<br>120V&iR3570&iR3570F&i<br>R4570&iR4570F              |       |
| 28               | XF2-4107-940 |         | 1    | BELT, TIMING. COGGED        | iR2270 120V&iR2870<br>120V&iR3570&iR3570F&i<br>R4570&iR4570F              |       |
| 29               | XG9-0520-000 |         | 2    | BEARING, BALL               | iR2270 120V&iR2870<br>120V&iR3570&iR3570F&i<br>R4570&iR4570F              |       |

| FIGURE<br>& KEY<br>NO. | PARTS<br>NUMBER | R<br>A<br>N<br>K | Q'TY | DESCRIPTION           | SERIAL NUMBER/<br>REMARKS                                    | S<br>V<br>C |
|------------------------|-----------------|------------------|------|-----------------------|--|-------------|
| 501                    | XB1-2300-405    |                  | 2    | SCREW, MACH, BH, M3X4 | iR2270 120V&iR2870<br>120V&iR3570&iR3570F&i<br>R4570&iR4570F |             |
| 502                    | XB4-5401-205    |                  | 11   | SCREW, P, M4X12       | iR2270 120V&iR2870<br>120V&iR3570&iR3570F&i<br>R4570&iR4570F |             |
| 503                    | XD2-1100-502    |                  | 7    | RING, E               | iR2270 120V&iR2870<br>120V&iR3570&iR3570F&i<br>R4570&iR4570F |             |

# FIGURE 354

## 3RD DELIVERY FRAME ASSEMBLY



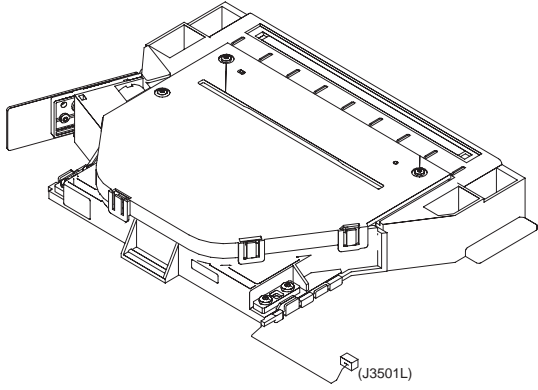
| FIGURE & KEY NO. | PARTS NUMBER | R A N K | Q'TY | DESCRIPTION                 | SERIAL NUMBER/<br>REMARKS   | S<br>V<br>C |
|------------------|--------------|---------|------|-----------------------------|---|-------------|
| Fig.354          | FM2-1335-000 |         | 1    | 3RD DELIVERY FRAME ASSEMBLY | iR2270 120V&iR2870<br>120V&iR3570&iR3570F&i<br>R4570&iR4570F                              |             |
| 1                | FB5-9325-000 |         | 1    | MAGNET, 3RD                 | iR2270 120V&iR2870<br>120V&iR3570&iR3570F&i<br>R4570&iR4570F                              |             |
| 2                | FC5-0872-000 |         | 1    | COVER, DELIVERY SOLENOID, 2 | iR2270 120V&iR2870<br>120V&iR3570&iR3570F&i<br>R4570&iR4570F                              |             |
| 3                | FC5-1012-000 |         | 1    | ROLLER, DUPLEXING ENTRANCE  | iR2270 120V&iR2870<br>120V&iR3570&iR3570F&i<br>R4570&iR4570F                              |             |
| 4                | FC5-1020-020 |         | 1    | ROLLER, 3RD DELIVERY        | iR2270 120V&iR2870<br>120V&iR3570&iR3570F&i<br>R4570&iR4570F                              |             |
| 5                | FC5-1023-000 |         | 1    | ARM, SOLENOID, 2            | iR2270 120V&iR2870<br>120V&iR3570&iR3570F&i<br>R4570&iR4570F                              |             |
| 6                | FC5-6006-000 |         | 1    | PLATE, GROUNDING            | iR2270 120V&iR2870<br>120V&iR3570&iR3570F&i<br>R4570&iR4570F                              |             |
| 7                | FG3-3295-000 |         | 1    | CABLE, 3RD DELIVERY         | J742,7421,7422,7423,742<br>4 iR2270 120V&iR2870<br>120V&iR3570&iR3570F&i<br>R4570&iR4570F |             |
| 8                | FL2-1206-000 |         | 1    | SOLENOID                    | SL2 J7421 iR2270<br>120V&iR2870<br>120V&iR3570&iR3570F&i<br>R4570&iR4570F                 |             |
| 9                | FC5-0862-000 |         | 1    | PLATE, GROUNDING            | iR2270 120V&iR2870<br>120V&iR3570&iR3570F&i<br>R4570&iR4570F                              |             |
| 10               | FC5-0977-000 |         | 1    | SPRING, TORSION             | iR2270 120V&iR2870<br>120V&iR3570&iR3570F&i<br>R4570&iR4570F                              |             |
| 11               | FC5-1009-000 |         | 1    | GUIDE, 3RD DELIVERY, UPPER  | iR2270 120V&iR2870<br>120V&iR3570&iR3570F&i<br>R4570&iR4570F                              |             |
| 12               | FC5-6003-000 |         | 1    | ELIMINATOR, STATIC-CHARGE   | iR2270 120V&iR2870<br>120V&iR3570&iR3570F&i<br>R4570&iR4570F                              |             |
| 13               | FL2-1208-000 |         | 1    | FLAPPER, 3RD PAPER DELIVERY | iR2270 120V&iR2870<br>120V&iR3570&iR3570F&i<br>R4570&iR4570F                              |             |
| 14               | FC5-0976-000 |         | 1    | SPRING, TENSION             | iR2270 120V&iR2870<br>120V&iR3570&iR3570F&i<br>R4570&iR4570F                              |             |

| FIGURE & KEY NO. | PARTS NUMBER | R A N K | Q'TY | DESCRIPTION                    | SERIAL NUMBER/<br>REMARKS   | S<br>V<br>C |
|------------------|--------------|---------|------|--------------------------------|---|-------------|
| 15               | FC5-1003-000 |         | 1    | FLAPPER, 2ND PAPER DELIVERY    | iR2270 120V&iR2870<br>120V&iR3570&iR3570F&i<br>R4570&iR4570F                        |             |
| 16               | FC5-1005-000 |         | 1    | FLAG, DUPLEX ENTRANCE SENSOR   | iR2270 120V&iR2870<br>120V&iR3570&iR3570F&i<br>R4570&iR4570F                        |             |
| 17               | FC5-1006-000 |         | 1    | SPRING, TORSION                | iR2270 120V&iR2870<br>120V&iR3570&iR3570F&i<br>R4570&iR4570F                        |             |
| 18               | FC5-1013-000 |         | 8    | ROLLER                         | iR2270 120V&iR2870<br>120V&iR3570&iR3570F&i<br>R4570&iR4570F                        |             |
| 19               | FC5-1014-000 |         | 8    | SPRING                         | iR2270 120V&iR2870<br>120V&iR3570&iR3570F&i<br>R4570&iR4570F                        |             |
| 20               | FC5-6008-000 |         | 1    | GUIDE, DUPLEXING ENTRANCE, 2   | iR2270 120V&iR2870<br>120V&iR3570&iR3570F&i<br>R4570&iR4570F                        |             |
| 21               | FC5-6019-000 |         | 1    | SPRING, TORSION                | iR2270 120V&iR2870<br>120V&iR3570&iR3570F&i<br>R4570&iR4570F                        |             |
| 22               | FK2-0149-000 |         | 2    | PHOTO-INTERRUPTER, TLP1253(C6) | PS3 J7423,PS5 J7424<br>iR2270 120V&iR2870<br>120V&iR3570&iR3570F&i<br>R4570&iR4570F |             |
| 23               | FL2-1207-000 |         | 1    | GUIDE, DUPLEXING ENTRANCE      | iR2270 120V&iR2870<br>120V&iR3570&iR3570F&i<br>R4570&iR4570F                        |             |
| 24               | FL2-1209-000 |         | 1    | FLAPPER, REVERSE               | iR2270 120V&iR2870<br>120V&iR3570&iR3570F&i<br>R4570&iR4570F                        |             |
| 25               | FS5-1377-000 |         | 2    | BUSHING                        | iR2270 120V&iR2870<br>120V&iR3570&iR3570F&i<br>R4570&iR4570F                        |             |
| 26               | FM2-1340-000 |         | 1    | 3RD DELIVERY FRAME ASSEMBLY    | iR2270 120V&iR2870<br>120V&iR3570&iR3570F&i<br>R4570&iR4570F                        |             |
| 27               | FC6-2915-000 |         | 4    | ROLLER, PAPER DELIVERY         | iR2270 120V&iR2870<br>120V&iR3570&iR3570F&i<br>R4570&iR4570F                        |             |
| 28               | FB5-9803-000 |         | 8    | RING                           | iR2270 120V&iR2870<br>120V&iR3570&iR3570F&i<br>R4570&iR4570F                        |             |
| 29               | FB6-5796-000 |         | 4    | ROLLER, PAPER DELIVERY         | iR2270 120V&iR2870<br>120V&iR3570&iR3570F&i<br>R4570&iR4570F                        |             |

| FIGURE & KEY NO. | PARTS NUMBER | R A N K | Q'TY | DESCRIPTION                 | SERIAL NUMBER/<br>REMARKS   | S<br>V<br>C |
|------------------|--------------|---------|------|-----------------------------|---|-------------|
| 30               | FC5-1010-000 |         | 1    | FLAG, 3RD DELIVERY SENSOR   | iR2270 120V&iR2870<br>120V&iR3570&iR3570F&i<br>R4570&iR4570F              |             |
| 31               | FC5-1011-000 |         | 1    | SPRING, TORSION             | iR2270 120V&iR2870<br>120V&iR3570&iR3570F&i<br>R4570&iR4570F              |             |
| 32               | FC5-6012-000 |         | 4    | SHEET, HOLDER               | iR2270 120V&iR2870<br>120V&iR3570&iR3570F&i<br>R4570&iR4570F              |             |
| 33               | FL2-1210-000 |         | 1    | FRAME, 3RD DELIVERY         | iR2270 120V&iR2870<br>120V&iR3570&iR3570F&i<br>R4570&iR4570F              |             |
| 34               | FS7-2859-000 |         | 4    | SPRING, COMPRESSION         | iR2270 120V&iR2870<br>120V&iR3570&iR3570F&i<br>R4570&iR4570F              |             |
| 35               | FC5-1024-000 |         | 1    | ARM, SOLENOID, 3            | iR2270 120V&iR2870<br>120V&iR3570&iR3570F&i<br>R4570&iR4570F              |             |
| 36               | FC5-1054-000 |         | 1    | COVER, DELIVERY SOLENOID, 1 | iR2270 120V&iR2870<br>120V&iR3570&iR3570F&i<br>R4570&iR4570F              |             |
| 37               | FL2-1205-000 |         | 1    | SOLENOID                    | SL3 J7422 iR2270<br>120V&iR2870<br>120V&iR3570&iR3570F&i<br>R4570&iR4570F |             |
| 38               | FS5-1943-000 |         | 4    | BUSHING                     | iR2270 120V&iR2870<br>120V&iR3570&iR3570F&i<br>R4570&iR4570F              |             |
| 39               | FU5-3018-000 |         | 1    | PULLEY, 30T/GEAR, 35T       | iR2270 120V&iR2870<br>120V&iR3570&iR3570F&i<br>R4570&iR4570F              |             |
| 40               | FU5-3021-000 |         | 1    | PULLEY, 30T                 | iR2270 120V&iR2870<br>120V&iR3570&iR3570F&i<br>R4570&iR4570F              |             |
| 41               | XA9-1386-000 |         | 1    | SCREW, RS, M3X8             | iR2270 120V&iR2870<br>120V&iR3570&iR3570F&i<br>R4570&iR4570F              |             |
| 42               | XF2-4109-240 |         | 1    | BELT, TIMING, COGGED        | iR2270 120V&iR2870<br>120V&iR3570&iR3570F&i<br>R4570&iR4570F              |             |
| 501              | XB4-5300-805 |         | 2    | SCREW, P, M3X8              | iR2270 120V&iR2870<br>120V&iR3570&iR3570F&i<br>R4570&iR4570F              |             |
| 502              | XB1-2300-405 |         | 3    | SCREW, MACH, BH, M3X4       | iR2270 120V&iR2870<br>120V&iR3570&iR3570F&i<br>R4570&iR4570F              |             |

| FIGURE & KEY NO. | PARTS NUMBER | RANK | Q'TY | DESCRIPTION     | SERIAL NUMBER/REMARKS                                 | SVC |
|------------------|--------------|------|------|-----------------|---|-----|
| 503              | XB4-5401-205 |      | 10   | SCREW, P, M4X12 | iR2270 120V&iR2870 120V&iR3570&iR3570F&iR4570&iR4570F |     |
| 504              | XD2-1100-502 |      | 6    | RING, E         | iR2270 120V&iR2870 120V&iR3570&iR3570F&iR4570&iR4570F |     |
| 505              | XD3-2200-122 |      | 1    | PIN. DOWEL      | iR2270 120V&iR2870 120V&iR3570&iR3570F&iR4570&iR4570F |     |

# FIGURE 460 LASER SCANNER ASSEMBLY

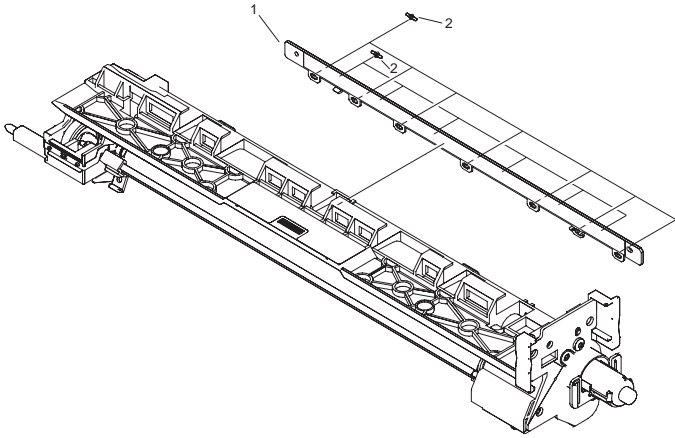


| FIGURE & KEY NO. | PARTS NUMBER | RANK | Q'TY | DESCRIPTION            | SERIAL NUMBER/REMARKS                 | SVC |
|------------------|--------------|------|------|------------------------|---------------------------------------|-----|
| Fig.460          | FM2-0276-000 |      | 1    | LASER SCANNER ASSEMBLY | iR2270&iR2270F&iR2870 &iR2870F J3501L |     |
| Fig.460          | FM2-0334-000 |      | 1    | LASER SCANNER ASSEMBLY | iR4570&iR4570F&iR3570 &iR3570F J3501L |     |



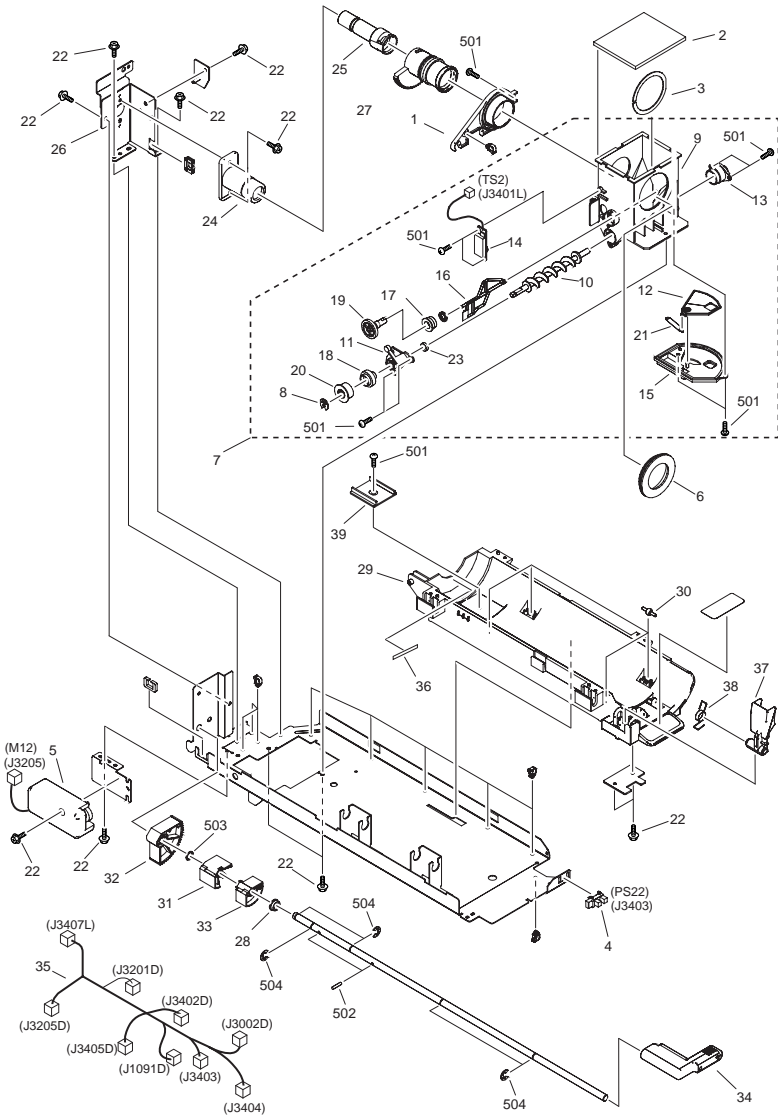
# FIGURE 500

## DRUM CARTRIDGE ASSEMBLY



| FIGURE & KEY NO. | PARTS NUMBER | R<br>A<br>N<br>K | QTY | DESCRIPTION             | SERIAL NUMBER/<br>REMARKS | S<br>V<br>C |
|------------------|--------------|------------------|-----|-------------------------|---------------------------|-------------|
| Fig.500          | NPN          |                  | RF  | DRUM CARTRIDGE ASSEMBLY |                           |             |
| 1                | FL2-0322-000 |                  | 1   | MOUNT, ROWEL            |                           |             |
| 2                | FB5-5279-000 |                  | 13  | ROWEL, 4                |                           |             |

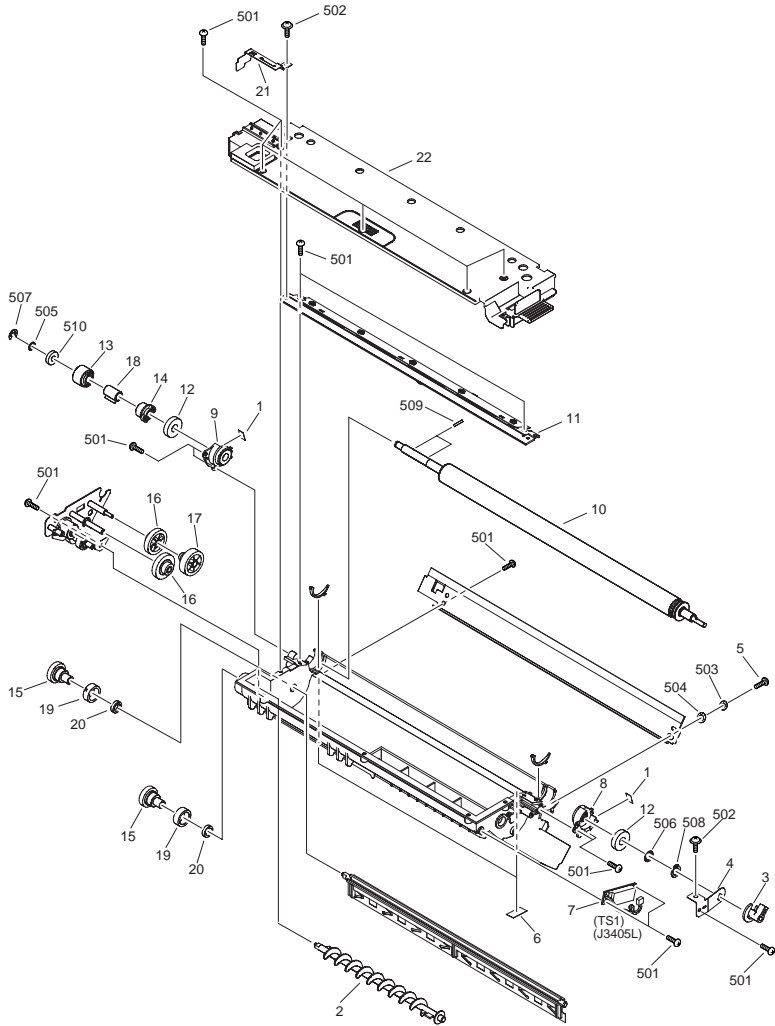
# FIGURE 621 HOPPER ASSEMBLY



| FIGURE & KEY NO. | PARTS NUMBER | R<br>A<br>N<br>K | Q'TY | DESCRIPTION                    | SERIAL NUMBER/<br>REMARKS | S<br>V<br>C |
|------------------|--------------|------------------|------|--------------------------------|---------------------------|-------------|
| Fig.621          | FM2-0286-000 |                  | 1    | HOPPER ASSEMBLY                |                           |             |
| 1                | FC5-1208-000 |                  | 1    | HOLDER, GUIDE                  |                           |             |
| 2                | FC5-1209-000 |                  | 1    | COVER, HOPPER                  |                           |             |
| 3                | FC5-1221-000 |                  | 1    | RING, SEAL                     |                           |             |
| 4                | FK2-0149-000 |                  | 1    | PHOTO-INTERRUPTER, TLP1253(C6) | PS22 J3403                |             |
| 5                | FK2-0379-000 |                  | 1    | MOTOR, DC                      | M12 J3205                 |             |
| 6                | FL2-0309-000 |                  | 1    | BASE, SEAL                     |                           |             |
| 7                | FM2-0290-000 |                  | 1    | SUB HOPPER UNIT                |                           |             |
| 8                | FA3-8727-000 |                  | 1    | RETAINING RING                 |                           |             |
| 9                | FC5-1214-000 |                  | 1    | HOPPER, SUB                    |                           |             |
| 10               | FC5-1210-000 |                  | 1    | SCREW                          |                           |             |
| 11               | FC5-1211-000 |                  | 1    | FRANGE, SCREW                  |                           |             |
| 12               | FC5-1265-000 |                  | 1    | SHUTTER                        |                           |             |
| 13               | FC5-1274-000 |                  | 1    | CAP, SCREW                     |                           |             |
| 14               | FK2-0358-000 |                  | 1    | SENSOR, TONER                  | TS2 J3201L                |             |
| 15               | FL2-0307-000 |                  | 1    | MOUNT, SHUTTER                 |                           |             |
| 16               | FL2-0313-000 |                  | 1    | ROD, STIRRING                  |                           |             |
| 17               | FS2-1014-000 |                  | 1    | BUSHING, PL                    |                           |             |
| 18               | FU5-0108-000 |                  | 1    | GEAR, 18T                      |                           |             |
| 19               | FU5-0109-000 |                  | 1    | GEAR, 22T                      |                           |             |
| 20               | FU5-0115-000 |                  | 1    | GEAR, 17T                      |                           |             |
| 21               | FU5-2089-000 |                  | 1    | SPRING                         |                           |             |
| 22               | XA9-1386-000 |                  | 10   | SCREW,RS,M3X8                  |                           |             |
| 23               | XG9-0111-000 |                  | 1    | SEAL, OIL                      |                           |             |
| 24               | FC5-1205-000 |                  | 1    | BUSHING                        |                           |             |
| 25               | FC5-1206-000 |                  | 1    | SHAFT, COUPLING                |                           |             |
| 26               | FL2-0295-000 |                  | 1    | MOUNT, BUSHING                 |                           |             |
| 27               | FL2-0308-000 |                  | 1    | HOLDER, RELEASE                |                           |             |
| 28               | FA9-2112-000 |                  | 2    | BUSHING, PL                    |                           |             |
| 29               | FC5-1201-000 |                  | 1    | BASE, BOTTLE                   |                           |             |
| 30               | FC5-1269-000 |                  | 4    | ROLLER                         |                           |             |
| 31               | FC5-1215-000 |                  | 1    | CAM, BOTTLE SLIDE              |                           |             |

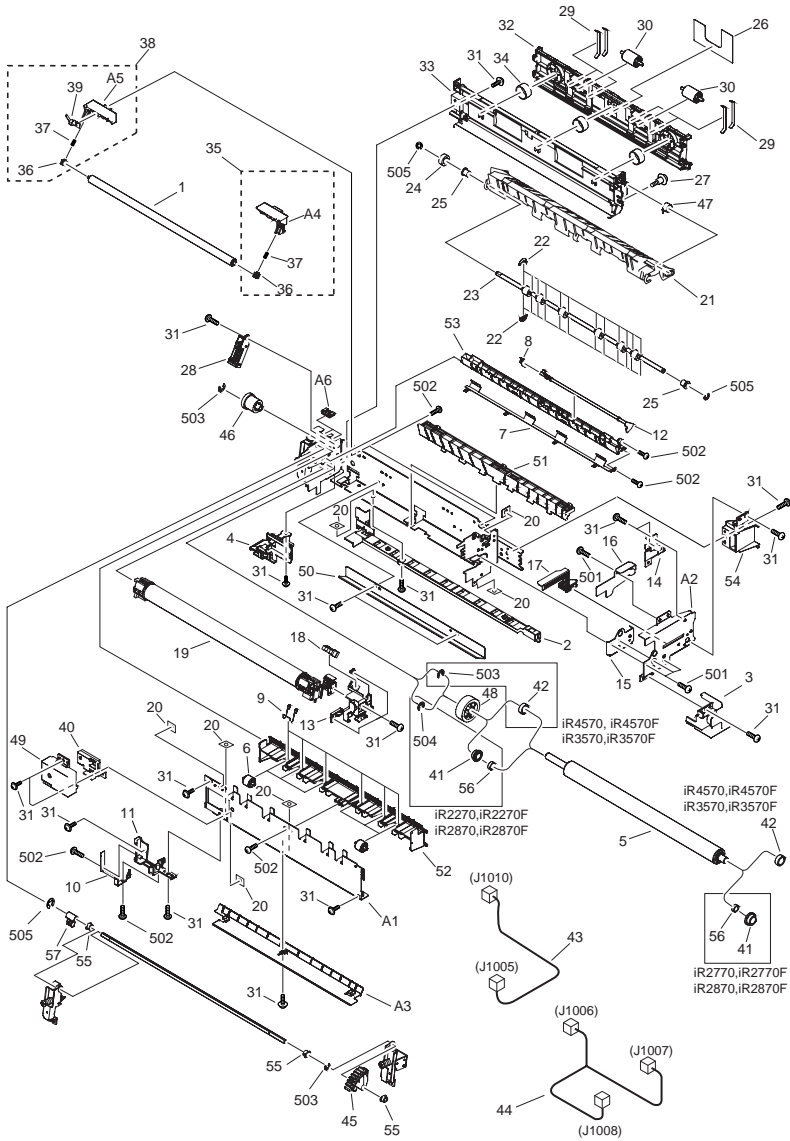
| FIGURE & KEY NO. | PARTS NUMBER | RANK | Q'TY | DESCRIPTION         | SERIAL NUMBER/REMARKS  | SVC |
|------------------|--------------|------|------|---------------------|--|-----|
| 32               | FC5-1217-000 |      | 1    | GEAR,               |  |     |
| 33               | FC5-1268-000 |      | 1    | CAM, BOTTLE SLIDE   |  |     |
| 34               | FC5-1218-000 |      | 1    | LEVER, SET          |  |     |
| 35               | FM2-2839-000 |      | 1    | HARNES HOPPER       | J1091D,J3002D,J3201D,J3205D,J3402D,J3403,J3404,J3405D,J3407L |     |
| 36               | FC6-5087-000 |      | 1    | SHEET, BOTTLE LIMIT |  |     |
| 37               | FC5-7206-000 |      | 1    | ARM, LOCK           | iR2270&iR2270F&iR2870&iR2870F                                |     |
| 37               | FC6-2900-000 |      | 1    | ARM, LOCK           | iR4570&iR4570F&iR3570&iR3570F                                |     |
| 38               | FU6-2012-000 |      | 1    | SPRING              |  |     |
| 39               | FC6-2899-000 |      | 1    | BASE, BOTTLE        | iR2270&iR2270F&iR2870&iR2870F                                |     |
| 501              | XB4-5300-607 |      | 10   | SCREW,P,M3X6        |  |     |
| 502              | XD3-2300-142 |      | 2    | PIN, DOWEL          |  |     |
| 503              | XD1-1108-218 |      | 1    | SHIM                |  |     |
| 504              | XD2-1100-642 |      | 5    | RING,E              |  |     |

# FIGURE 640 DEVELOPING ASSEMBLY



| FIGURE & KEY NO. | PARTS NUMBER | R<br>A<br>N<br>K | Q'TY | DESCRIPTION               | SERIAL NUMBER/<br>REMARKS | S<br>V<br>C |
|------------------|--------------|------------------|------|---------------------------|---------------------------|-------------|
| Fig.640          | FM2-0287-000 |                  | 1    | DEVELOPING ASSEMBLY       |                           |             |
| 1                | FB1-6715-000 |                  | 2    | SHEET                     |                           |             |
| 2                | FC5-1239-000 |                  | 1    | SCREW                     |                           |             |
| 3                | FC5-1246-000 |                  | 1    | GUIDE, SLEEVE, FRONT      |                           |             |
| 4                | FC5-1249-000 |                  | 1    | PLATE, ANGLE ADJUSTMENT   |                           |             |
| 5                | FC6-2909-000 |                  | 1    | SCREW, STEPPED, M3        |                           |             |
| 6                | FC6-2937-000 |                  | 2    | TAPE,PLATE END SEAL       |                           |             |
| 7                | FK2-0358-000 |                  | 1    | SENSOR, TONER             | TS1 J3405L                |             |
| 8                | FL2-0291-000 |                  | 1    | HOLDER, SLEEVE, FRONT     |                           |             |
| 9                | FL2-0292-000 |                  | 1    | HOLDER, SLEEVE, REAR      |                           |             |
| 10               | FL2-0290-000 |                  | 1    | DEVELOPING CYLINDER UNIT  |                           |             |
| 11               | FM2-0289-000 |                  | 1    | BLADE UNIT                |                           |             |
| 12               | FS5-6448-000 |                  | 2    | ROLLER, 1                 |                           |             |
| 13               | FU5-0110-000 |                  | 1    | GEAR, 20T                 |                           |             |
| 14               | FU5-0111-000 |                  | 1    | GEAR, 16T                 |                           |             |
| 15               | FU5-0112-000 |                  | 2    | GEAR, 24T                 |                           |             |
| 16               | FU5-0113-000 |                  | 2    | GEAR, 31T/13T             |                           |             |
| 17               | FU5-0114-000 |                  | 1    | GEAR, 31T/13T             |                           |             |
| 18               | FU5-1026-000 |                  | 1    | BUSHING                   |                           |             |
| 19               | FU5-1031-000 |                  | 2    | BUSHING                   |                           |             |
| 20               | X71-9310-000 |                  | 2    | SEAL, OIL                 |                           |             |
| 21               | FC5-1251-000 |                  | 1    | PLATE, DEVELOPING CONTACT |                           |             |
| 22               | FL2-0303-000 |                  | 1    | COVER, TOP                |                           |             |
| 501              | XB4-5300-607 |                  | 16   | SCREW,P,M3X6              |                           |             |
| 502              | XB6-7300-607 |                  | 2    | SCREW, TP, M3X6           |                           |             |
| 503              | XD1-1104-634 |                  | 1    | WASHER,COP                |                           |             |
| 505              | XD1-1106-215 |                  | 1    | WASHER,COP                |                           |             |
| 506              | XD1-1108-215 |                  | 1    | WASHER,COP                |                           |             |
| 507              | XD2-1100-502 |                  | 1    | RETAINING RING (E-TYPE)   |                           |             |
| 508              | XD2-2100-802 |                  | 1    | GRIP RING (D=8)           |                           |             |
| 509              | XD3-2200-142 |                  | 1    | PIN, PARALLEL             |                           |             |
| 510              | XG9-0521-000 |                  | 1    | BALL BEARING, MR126ZZ     |                           |             |

# FIGURE 810 FIXING ASSEMBLY



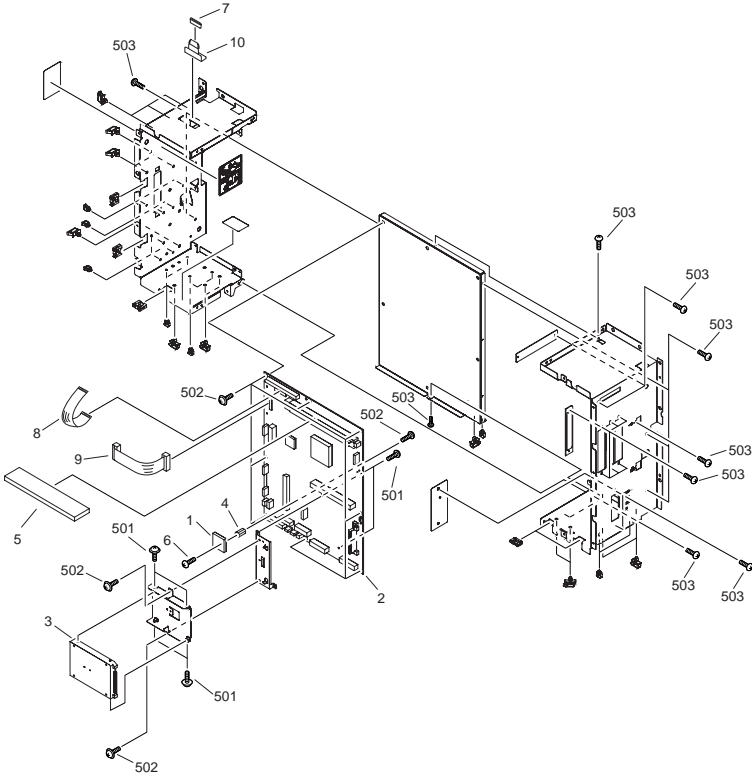
| FIGURE & KEY NO. | PARTS NUMBER | R A N K | Q'TY | DESCRIPTION                    | SERIAL NUMBER/ REMARKS              | S V C |
|------------------|--------------|---------|------|--------------------------------|-------------------------------------|-------|
| Fig.810          | FM2-0292-000 |         | 1    | FIXING ASSEMBLY                | iR2270&iR2270F&iR2870 &iR2870F&100V |       |
| Fig.810          | FM2-0356-000 |         | 1    | FIXING ASSEMBLY                | iR2270&iR2870&120V                  |       |
| Fig.810          | FM2-0357-000 |         | 1    | FIXING ASSEMBLY                | iR2270&iR2870&230V                  |       |
| Fig.810          | FM2-1786-000 |         | 1    | FIXING ASSEMBLY                | iR4570&iR3570&120V                  |       |
| Fig.810          | FM2-1787-000 |         | 1    | FIXING ASSEMBLY                | iR4570&iR3570&230V                  |       |
| Fig.810          | FM2-1774-000 |         | 1    | FIXING ASSEMBLY                | iR4570&iR4570F&iR3570 &iR3570F&100V |       |
| 1                | FB5-4931-000 |         | 1    | ROLLER, FIXING HEATSINK        |                                     |       |
| 2                | FC5-1131-000 |         | 1    | GUIDE, FIXING CABLE, LOWER     |                                     |       |
| 3                | FC5-1341-000 |         | 1    | GUIDE, FIXING CABLE, FRONT     |                                     |       |
| 4                | FC5-1351-000 |         | 1    | GUARD, FILM SENSOR             |                                     |       |
| 5                | FC6-2942-000 |         | 1    | ROLLER, PRESSURE               | iR2270&iR2270F&iR2870 &iR2870F      |       |
| 5                | FC6-7207-000 |         | 1    | ROLLER, PRESSURE               | iR4570&iR4570F&iR3570 &iR3570F      |       |
| 6                | FC5-1358-000 |         | 6    | COLLAR, FIXING DELIVERY        |                                     |       |
| 7                | FC5-1360-000 |         | 1    | ELIMINATOR, STATIC CHARGE      |                                     |       |
| 8                | FC5-1367-000 |         | 1    | SPRING,SENSOR LEVER            |                                     |       |
| 9                | FC5-1368-000 |         | 6    | SPRING                         |                                     |       |
| 10               | FC5-1383-000 |         | 1    | BRUSH, FILM BIAS               |                                     |       |
| 11               | FC5-1384-000 |         | 1    | GUIDE, FILM BIAS               |                                     |       |
| 12               | FC5-7160-000 |         | 1    | LEVER, SENSOR                  |                                     |       |
| 13               | FC6-2920-000 |         | 1    | COVER, AC CONNECTOR            |                                     |       |
| 14               | FC6-2924-000 |         | 1    | GUIDE, RELEASE                 |                                     |       |
| 15               | FC6-2925-000 |         | 1    | PLATE, PRESSURE ADJUST, SMALL  |                                     |       |
| 16               | FC6-2927-000 |         | 1    | PLATE, RACK AUXILIARY          |                                     |       |
| 17               | FC6-2929-000 |         | 1    | RACK, PRESSURE RELEASE         |                                     |       |
| 18               | FK2-0149-000 |         | 1    | PHOTO-INTERRUPTER, TLP1253(C6) |                                     |       |
| 19               | FM2-0293-000 |         | 1    | FIXING FILM UNIT               | iR2270&iR2270F&iR2870 &iR2870F&100V |       |
| 19               | FM2-0358-000 |         | 1    | FIXING FILM UNIT               | iR2270&iR2870&120V                  |       |
| 19               | FM2-0359-000 |         | 1    | FIXING FILM UNIT               | iR2270&iR2870&230V                  |       |
| 19               | FM2-1793-000 |         | 1    | FIXING FILM UNIT               | iR4570&iR3570&120V                  |       |



| FIGURE & KEY NO. | PARTS NUMBER | R<br>A<br>N<br>K | Q'TY | DESCRIPTION                    | SERIAL NUMBER/<br>REMARKS              | S<br>V<br>C |
|------------------|--------------|------------------|------|--------------------------------|--|-------------|
| 19               | FM2-1794-000 |                  | 1    | FIXING FILM UNIT               | iR4570&iR3570&230V                     |             |
| 19               | FM2-1792-000 |                  | 1    | FIXING FILM UNIT               | iR4570&iR4570F&iR3570<br>&iR3570F&100V |             |
| 20               | FC6-5085-000 |                  | 7    | CAP, DUST                      |  |             |
| 21               | FC5-1356-000 |                  | 1    | GUIDE, FIXING DELIVERY, LOWER  |  |             |
| 22               | FC6-2941-000 |                  | 24   | ROLLER                         |  |             |
| 23               | FC6-2943-000 |                  | 1    | ROLLER, FIXING DELIVERY        |  |             |
| 24               | FU6-0023-000 |                  | 1    | GEAR, 15T                      |  |             |
| 25               | RS1-1087-000 |                  | 1    | BUSHING                        |  |             |
| 26               | FC5-0655-000 |                  | 1    | LABEL, HIGH TEMP. CAUTION      |  |             |
| 27               | FS1-9009-020 |                  | 1    | SCREW, STEPPED, M3             |  |             |
| 28               | FM2-0296-000 |                  | 1    | RESISTOR HOLDER MOUNTING UNIT  |  |             |
| 29               | FB4-2930-000 |                  | 8    | SPRING, LEAF                   |  |             |
| 30               | FB5-4773-000 |                  | 2    | ROLLER, DUPLEXING              |  |             |
| 31               | XA9-0702-000 |                  | 20   | SCREW, W/WASHER, M3X6          |  |             |
| 32               | FC5-0697-000 |                  | 1    | GUIDE, DUPLEXINNG FEEDER, UPPE |  |             |
| 33               | FC5-7156-000 |                  | 1    | MOUNT, DUPLEXING FEEDER        |  |             |
| 34               | FU5-2073-000 |                  | 3    | SPRING, COMPRESSION            |  |             |
| 35               | FM2-0299-000 |                  | 1    | CLEANING ROLLER MOUNT UNIT,F.  | iR2270&iR2270F&iR2870<br>&iR2870F      |             |
| 36               | FS5-1945-000 |                  | 2    | BUSHING                        |  |             |
| 37               | FU5-2102-000 |                  | 2    | SPRING                         |  |             |
| 38               | FM2-0300-000 |                  | 1    | CLEANING ROLLER MOUNT UNIT,R.  | iR2270&iR2270F&iR2870<br>&iR2870F      |             |
| 39               | FB5-4930-000 |                  | 1    | PLATE, CLEANING ROLLER         |  |             |
| 40               | FM2-2769-000 |                  | 1    | FIXING SPEED SENSOR PCB UNIT   |  |             |
| 41               | RS5-1446-000 |                  | 2    | BUSHING                        | iR2270&iR2270F&iR2870<br>&iR2870F      |             |
| 42               | XG9-0387-000 |                  | 2    | BEARING, BALL, L-1680HH LY13   | iR4570&iR4570F&iR3570<br>&iR3570F      |             |
| 43               | FM2-2847-000 |                  | 1    | CABLE, THERMISTOR CONNECTING   | J1010,J1005                            |             |
| 44               | FM2-2857-000 |                  | 1    | CABLE, FIXING                  | J1006,J1007,J1008                      |             |
| 45               | FC6-2928-000 |                  | 1    | GEAR, 36T                      |  |             |
| 46               | FU5-0129-000 |                  | 1    | GEAR, 17T/19T                  |  |             |

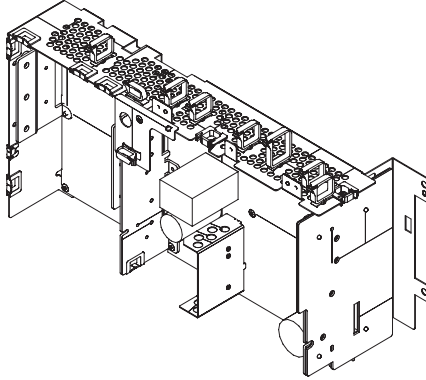
| FIGURE & KEY NO. | PARTS NUMBER | R A N K | Q'TY | DESCRIPTION                    | SERIAL NUMBER/ REMARKS         | S V C |
|------------------|--------------|---------|------|--------------------------------|--------------------------------|-------|
| 47               | FU6-2021-000 |         | 1    | SPRING, FIXING GUIDE, LOWER    |                                |       |
| 48               | FU5-0127-000 |         | 1    | GEAR, 27T                      | iR2270&iR2270F&iR2870 &iR2870F |       |
| 48               | FU6-0021-000 |         | 1    | GEAR, 27T                      | iR4570&iR4570F&iR3570 &iR3570F |       |
| 49               | FC6-4627-000 |         | 1    | COVER, SENSOR                  |                                |       |
| 50               | FC5-1346-000 |         | 1    | ELIMINATOR, STATIC CHARGE      | iR2270&iR2270F&iR2870 &iR2870F |       |
| 50               | FC5-7228-000 |         | 1    | ELIMINATOR, STATIC CHARGE      | iR4570&iR4570F&iR3570 &iR3570F |       |
| 51               | FC5-1348-000 |         | 1    | GUIDE, FIXING INLET            |                                |       |
| 52               | FC5-1353-000 |         | 1    | GUIDE, FIXING DELIVERY, UPPER  |                                |       |
| 53               | FC5-1382-000 |         | 1    | GUIDE, FIXING DELIVERY FIX, L. |                                |       |
| 54               | FC5-1343-000 |         | 1    | COVER, FIXING FRAME            |                                |       |
| 55               | FS1-1512-000 |         | 3    | BUSHING, PL                    |                                |       |
| 56               | FC5-7182-000 |         | 2    | HOUSING, BEARING               |                                |       |
| 57               | FC5-1345-000 |         | 1    | LEVER, PRESSURE                |                                |       |
| 501              | XB1-2300-409 |         | 6    | SCREW, MACHINE M3X4            |                                |       |
| 502              | XB4-5300-607 |         | 7    | SCREW,P,M3X6                   |                                |       |
| 503              | XD2-1100-502 |         | 3    | RETAINING RING (E-TYPE)        |                                |       |
| 504              | XD2-1100-642 |         | 1    | RING,E                         | iR2270&iR2270F&iR2870 &iR2870F |       |
| 505              | XD2-1100-242 |         | 3    | WASHER, RETAINING              |                                |       |
|                  | FM2-1777-000 |         | 1    | RESISTOR HOLDER MOUNTING UNIT  |                                |       |

# FIGURE 900 CONTROLLER BOX ASSEMBLY



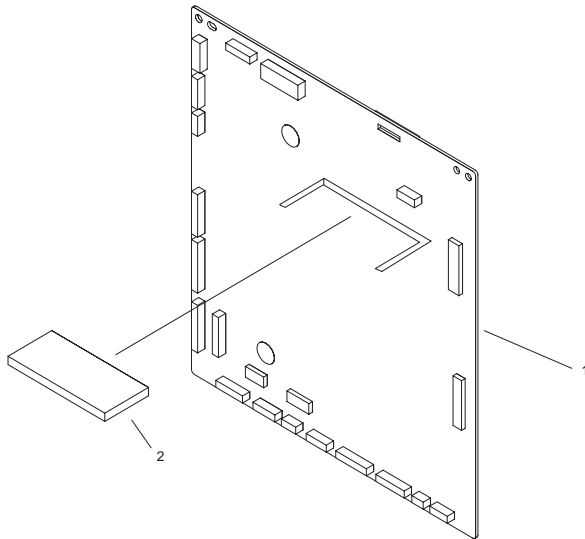
| FIGURE & KEY NO. | PARTS NUMBER | RANK | Q'TY | DESCRIPTION                    | SERIAL NUMBER/REMARKS | SVC |
|------------------|--------------|------|------|--------------------------------|-----------------------|-----|
| Fig.900          | NPN          |      | RF   | CONTROLLER BOX ASSEMBLY        |                       |     |
| 1                | FM2-2799-000 |      | 1    | COUNTER PCB ASSEMBLY           |                       |     |
| 2                | FM2-3226-000 |      | 1    | BOARD, BW3 CONTROLLER          |                       |     |
| 3                | WM2-5216-000 |      | 1    | HDD, HTS541020G9AT00           |                       |     |
| 4                | VT2-5018-000 |      | 1    | SPACER                         |                       |     |
| 5                | WA7-3296-000 |      | 2    | DIMM, MT8LSDT3264AY-133, SDRAM | J1004                 |     |
| 6                | XA9-0465-000 |      | 1    | SCREW, W/WASHER, M3X4          |                       |     |
| 7                | WE8-5764-000 |      | 1    | CORE, FERRITE                  |                       |     |
| 8                | FK2-0407-000 |      | 1    | CABLE, FLAT                    |                       |     |
| 9                | FK2-0405-000 |      | 1    | CABLE, FLAT                    |                       |     |
| 10               | FC5-5089-000 |      | 1    | SHEET, CORE SUPPORT            |                       |     |
| 501              | XB2-8300-607 |      | 4    | SCREW, M3X6, S                 |                       |     |
| 502              | XB6-7300-000 |      | 11   | SCREW, TP, M3X6                |                       |     |
| 503              | XB1-2300-607 |      | 25   | SCREW, BH3X6(S)                |                       |     |
| IC1003           | FH4-6300-000 |      | 1    | IC, M38871M2-010GP, MCU        |                       |     |
| IC1005           | FH4-6145-000 |      | 1    | IC, GATE ARRAY                 |                       |     |
| IC1006           | FH4-6218-000 |      | 1    | IC, UPD89410S1, STANDARD CELL  |                       |     |
| IC1009           | FH4-6302-000 |      | 1    | IC,S1L50552F32L000,ASIC        |                       |     |

# FIGURE 910 MAIN POWER SUPPLY PCB ASSEMBLY



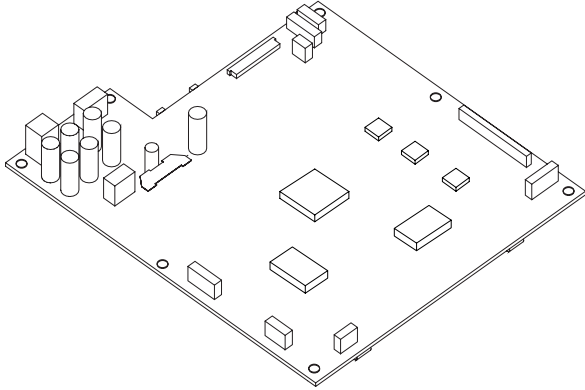
| FIGURE & KEY NO. | PARTS NUMBER | RANK | Q'TY | DESCRIPTION                    | SERIAL NUMBER/REMARKS | SVC |
|------------------|--------------|------|------|--------------------------------|-----------------------|-----|
| Fig.910          | FM2-0260-000 |      | 1    | MAIN POWER SUPPLY PCB ASSEMBLY | 100V&120V             |     |
| Fig.910          | FM2-0245-000 |      | 1    | MAIN POWER SUPPLY PCB ASSEMBLY | 230V                  |     |

# FIGURE 930 DC CONTROLLER PCB ASSEMBLY



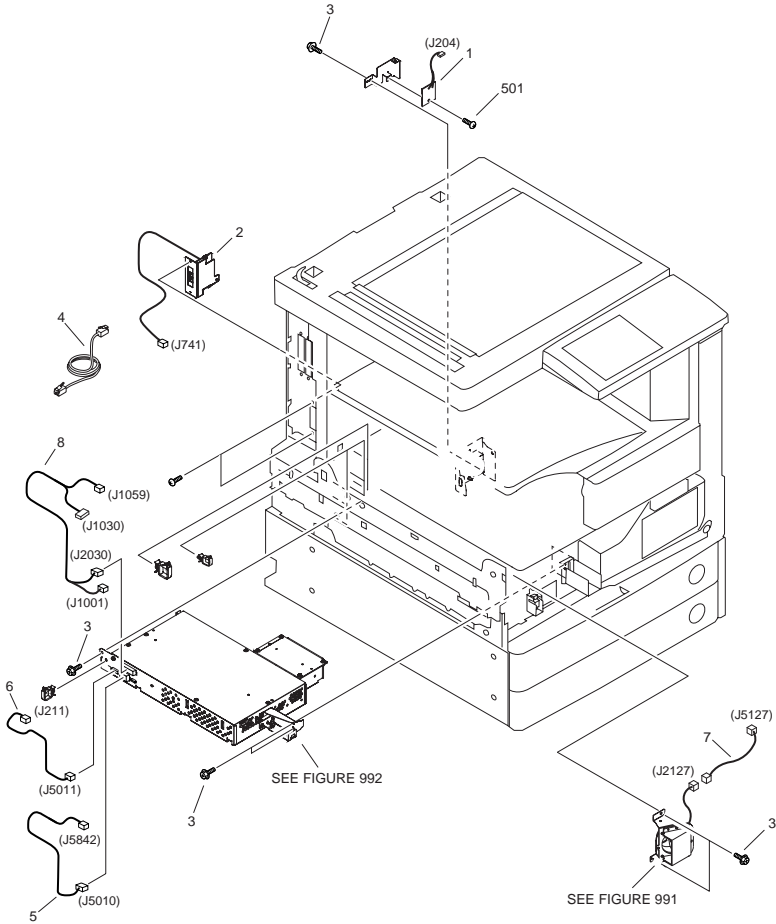
| FIGURE & KEY NO. | PARTS NUMBER | RANK | Q'TY | DESCRIPTION                    | SERIAL NUMBER/REMARKS          | SVC |
|------------------|--------------|------|------|--------------------------------|--------------------------------|-----|
| Fig.930          | NPN          |      | RF   | DC CONTROLLER PCB ASSEMBLY     |                                |     |
| 1                | FM2-2767-000 |      | 1    | DC CONTROLLER PCB ASSEMBLY     | iR2270&iR2270F&iR2870 &iR2870F |     |
| 1                | FM2-2779-000 |      | 1    | DC CONTROLLER PCB ASSEMBLY     | iR4570&iR4570F&iR3570 &iR3570F |     |
| 2                | FM2-2774-000 |      | 1    | FLASH DIMM PCB ASSEMBLY        |                                |     |
| IC2              | FH4-6204-000 |      | 1    | IC, S1L50993F22H000,GATE-ARRAY |                                |     |
| IC8              | FH4-6300-000 |      | 1    | IC, M38871M2-010GP, MCU        |                                |     |

# FIGURE 931 READER CONTROLLER PCB ASSEMBLY



| FIGURE & KEY NO. | PARTS NUMBER | RANK | QTY | DESCRIPTION                    | SERIAL NUMBER/REMARKS | SVC |
|------------------|--------------|------|-----|--------------------------------|-----------------------|-----|
| Fig.931          | FG3-3765-000 |      | 1   | READER CONTROLLER PCB ASSEMBLY |                       |     |
| IC520            | FH4-6313-000 |      | 1   | IC,MB87M4560PMT, ASIC          |                       |     |
| IC522            | FH4-1429-000 |      | 1   | IC, HD6432323A01F, MCU         |                       |     |

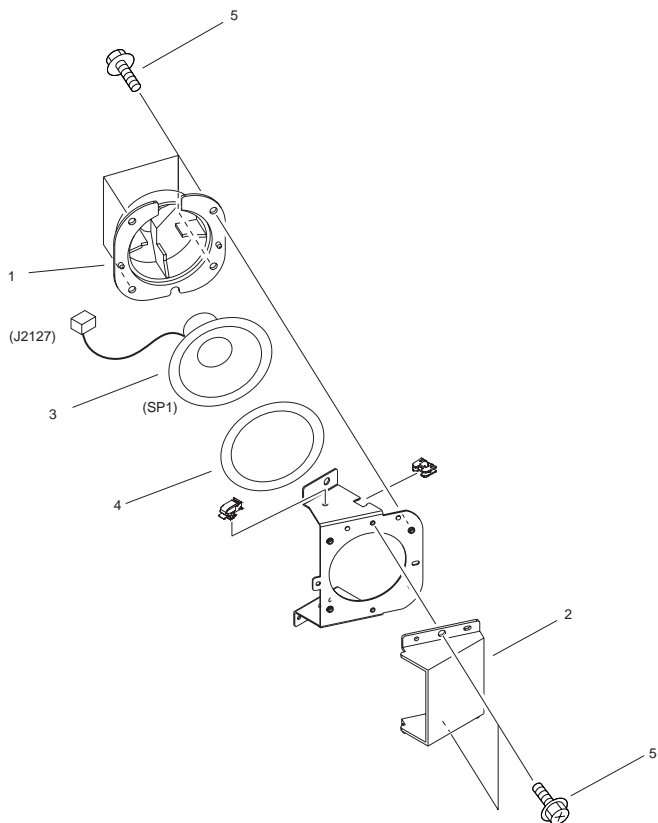
# FIGURE 990 FAX ASSEMBLY





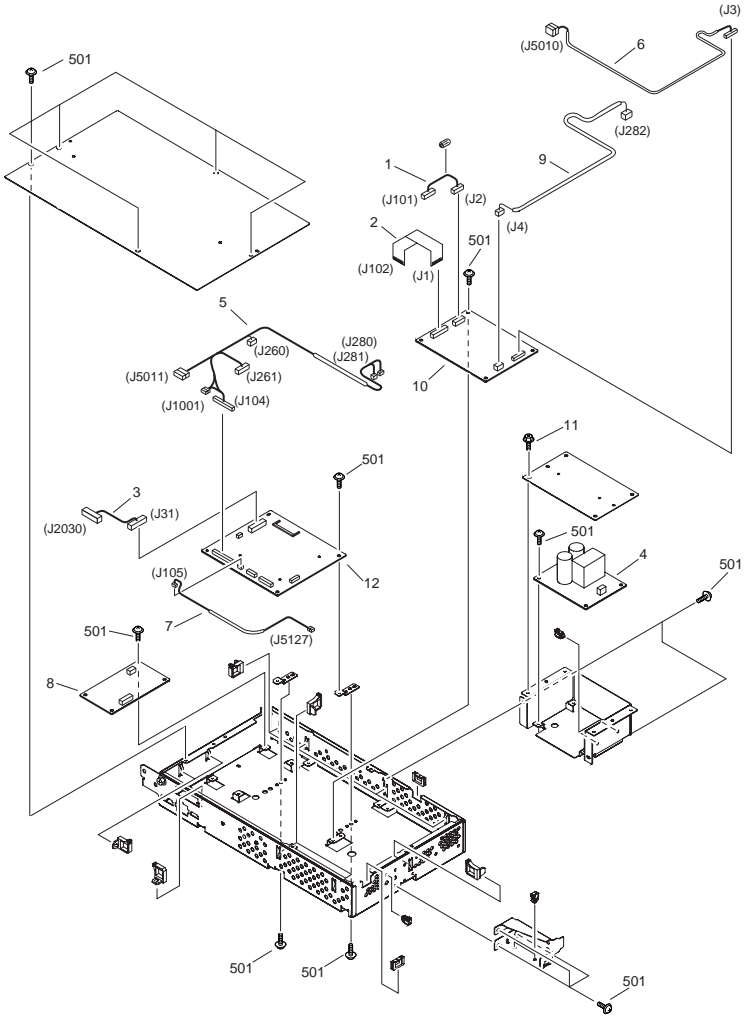
| FIGURE & KEY NO. | PARTS NUMBER | R<br>A<br>N<br>K | Q'TY | DESCRIPTION                  | SERIAL NUMBER/<br>REMARKS                            | S<br>V<br>C |
|------------------|--------------|------------------|------|------------------------------|--|-------------|
| Fig.990          | NPN          |                  | RF   | FAX ASSEMBLY                 | iR2270F&iR2870F&iR4570F&iR3570F                      |             |
| 1                | FM2-2973-000 |                  | 1    | ARRESTER PCB ASSEMBLY        | iR2270F&iR2870F&iR4570F&iR3570F J204                 |             |
| 2                | FM2-0343-000 |                  | 1    | G3 MODULAR PCB ASSEMBLY      | iR2270F&iR2870F&iR4570F&iR3570F J741                 |             |
| 3                | XA9-1386-000 |                  | 5    | SCREW,RS,M3X8                | iR2270F&iR2870F&iR4570F&iR3570F                      |             |
| 4                | HH2-2830-000 |                  | 1    | CORD, MODULAR                | iR2270F&iR2870F&iR4570F&iR3570F                      |             |
| 5                | FM2-2863-000 |                  | 1    | CABLE, POWER SUPPLY          | iR2270F&iR2870F&iR4570F&iR3570F J5010,5842           |             |
| 6                | FM2-3120-000 |                  | 1    | CABLE, FAX INNER ARRESTER/MJ | iR2270F&iR2870F&iR4570F&iR3570F J211,5011            |             |
| 7                | FM2-3129-000 |                  | 1    | CABLE, SPEAKER CONNECT       | iR2270F&iR2870F&iR4570F&iR3570F J2127,5127           |             |
| 8                | FM2-3130-000 |                  | 1    | CABLE, FAX INNER CONTROL     | iR2270F&iR2870F&iR4570F&iR3570F J1001,1030,1059,2030 |             |
| 501              | XB6-7300-607 |                  | 1    | SCREW, TP, M3X6              | iR2270F&iR2870F&iR4570F&iR3570F                      |             |

# FIGURE 991 SPEAKER ASSEMBLY



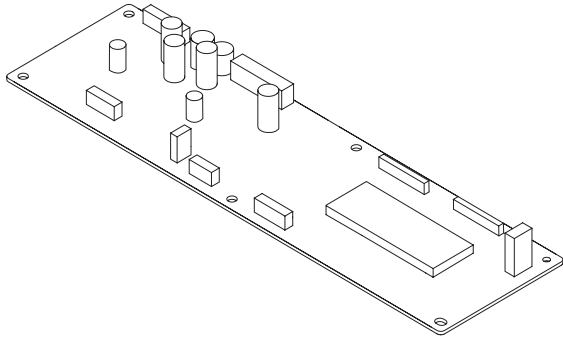
| FIGURE & KEY NO. | PARTS NUMBER | RANK | Q'TY | DESCRIPTION      | SERIAL NUMBER/REMARKS                     | SVC |
|------------------|--------------|------|------|------------------|---|-----|
| Fig.991          | FM2-0342-000 |      | 1    | SPEAKER ASSEMBLY | iR2270F&iR2870F&iR4570F&iR3570F           |     |
| 1                | FC5-5472-000 |      | 1    | HOLDER, SPEAKER  | iR2270F&iR2870F&iR4570F&iR3570F           |     |
| 2                | FC5-5473-000 |      | 1    | DUCT, SPEAKER    | iR2270F&iR2870F&iR4570F&iR3570F           |     |
| 3                | FH5-3550-000 |      | 1    | SPEAKER          | iR2270F&iR2870F&iR4570F&iR3570F SP1 J2127 |     |
| 4                | FB5-5130-000 |      | 1    | DAMPER, RUBBER   | iR2270F&iR2870F&iR4570F&iR3570F           |     |
| 5                | XA9-1386-000 |      | 6    | SCREW,RS,M3X8    | iR2270F&iR2870F&iR4570F&iR3570F           |     |

# FIGURE 992 FAX BOARD PCB ASSEMBLY



| FIGURE & KEY NO. | PARTS NUMBER | R A N K | Q'TY | DESCRIPTION                   | SERIAL NUMBER/<br>REMARKS                                      | S<br>V<br>C |
|------------------|--------------|---------|------|-------------------------------|--|-------------|
| Fig.992          | FM2-0244-000 |         | 1    | FAX BOARD PCB ASSEMBLY        | iR2270F&iR2870F&iR4570F&iR3570F                                |             |
| 1                | FG3-2826-000 |         | 1    | CABLE, G3 ANALOG              | iR2270F&iR2870F&iR4570F&iR3570F J2,101                         |             |
| 2                | FH2-7072-000 |         | 1    | CABLE, FLEXIBLE               | iR2270F&iR2870F&iR4570F&iR3570F J1,102                         |             |
| 3                | FM2-3122-000 |         | 1    | CABLE, MODEM                  | iR2270F&iR2870F&iR4570F&iR3570F J31,2030                       |             |
| 4                | FM2-2773-000 |         | 1    | PSEUDO CI PCB ASSEMBLY        | iR2270F&iR2870F&iR4570F&iR3570F                                |             |
| 5                | FM2-3123-000 |         | 1    | CABLE, FAX INNER POWER SUPPLY | iR2270F&iR2870F&iR4570F&iR3570F J104,260,261,280,281,1001,5011 |             |
| 6                | FM2-3124-000 |         | 1    | CABLE, FAX INNER M.J.         | iR2270F&iR2870F&iR4570F&iR3570F J3,5010                        |             |
| 7                | FM2-3127-000 |         | 1    | CABLE, SPEAKER                | iR2270F&iR2870F&iR4570F&iR3570F J105,5127                      |             |
| 8                | FM2-0860-000 |         | 1    | G3 FAX PS PCB ASSEMBLY        | iR2270F&iR2870F&iR4570F&iR3570F                                |             |
| 9                | FM2-3128-000 |         | 1    | CABLE, PSEUDO CI HIGH VOLTAGE | iR2270F&iR2870F&iR4570F&iR3570F J4,282                         |             |
| 10               | FM2-2790-000 |         | 1    | NCU PCB ASSEMBLY              | iR2270F&iR2870F&iR4570F&iR3570F                                |             |
| 11               | XA9-1386-000 |         | 5    | SCREW,RS,M3X8                 | iR2270F&iR2870F&iR4570F&iR3570F                                |             |
| 12               | FM2-2789-000 |         | 1    | MODEM PCB ASSEMBLY            | iR2270F&iR2870F&iR4570F&iR3570F                                |             |
| 501              | XB6-7300-607 |         | 28   | SCREW, TP, M3X6               | iR2270F&iR2870F&iR4570F&iR3570F                                |             |

# FIGURE 994 DELIVERY CONTROLLER PCB ASS'Y



| FIGURE & KEY NO. | PARTS NUMBER | RANK | Q'TY | DESCRIPTION                    | SERIAL NUMBER/REMARKS                                 | SVC |
|------------------|--------------|------|------|--------------------------------|---|-----|
| Fig.994          | FM2-3221-000 |      | 1    | DELIVERY CONTROLLER PCB ASS'Y  | iR2270 120V&iR2870 120V&iR3570&iR3570F&iR4570&iR4570F |     |
| IC10             | FH4-6204-000 |      | 1    | IC, S1L50993F22H000, GATE-ARRA | iR2270 120V&iR2870 120V&iR3570&iR3570F&iR4570&iR4570F |     |

Prepared by  
OFFICE IMAGING PRODUCTS QUALITY ASSURANCE CENTER  
CANON INC.

**Canon**